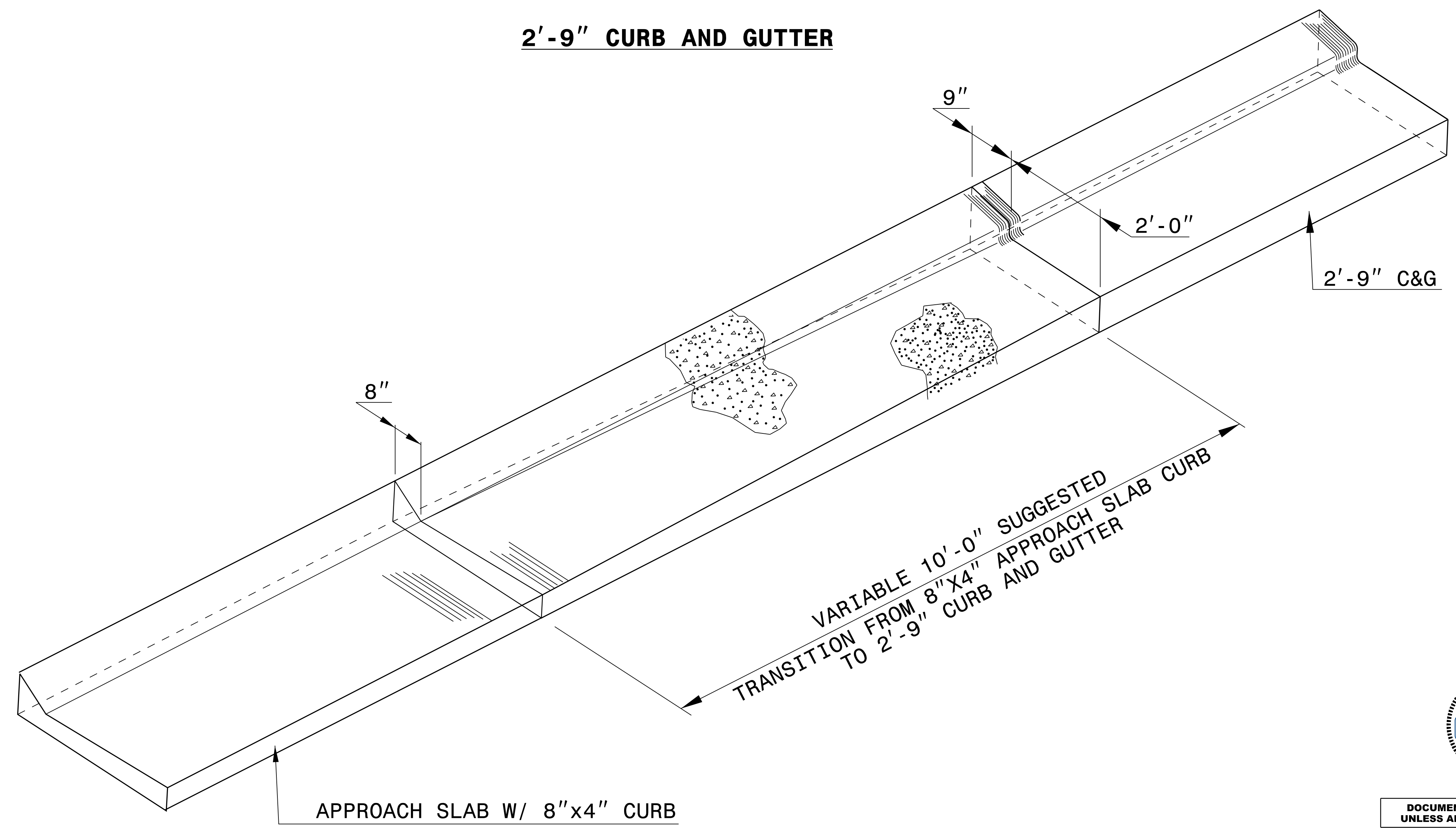


\*NOTE: SEE STD. DWG. 846.01  
FOR GENERAL NOTES

**2'-9" CURB AND GUTTER**



APPROACH SLAB W/ 8"x4" CURB

**ISOMETRIC VIEW OF TRANSITION**



DOCUMENT NOT CONSIDERED FINAL  
UNLESS ALL SIGNATURES COMPLETED

**RS&H** 8521 SIX FORKS ROAD, SUITE 400  
RALEIGH, NC 27615  
NC FIRM LICENSE No. F-0493

**DETAIL OF 2'-9" CURB & GUTTER  
TO 8" x 4" APPROACH SLAB CURB  
TRANSITION SECTION**

ORIGINAL BY: _____	DATE: _____
MODIFIED BY: _____	DATE: _____
CHECKED BY: _____	DATE: _____
FILE SPEC.: _____	