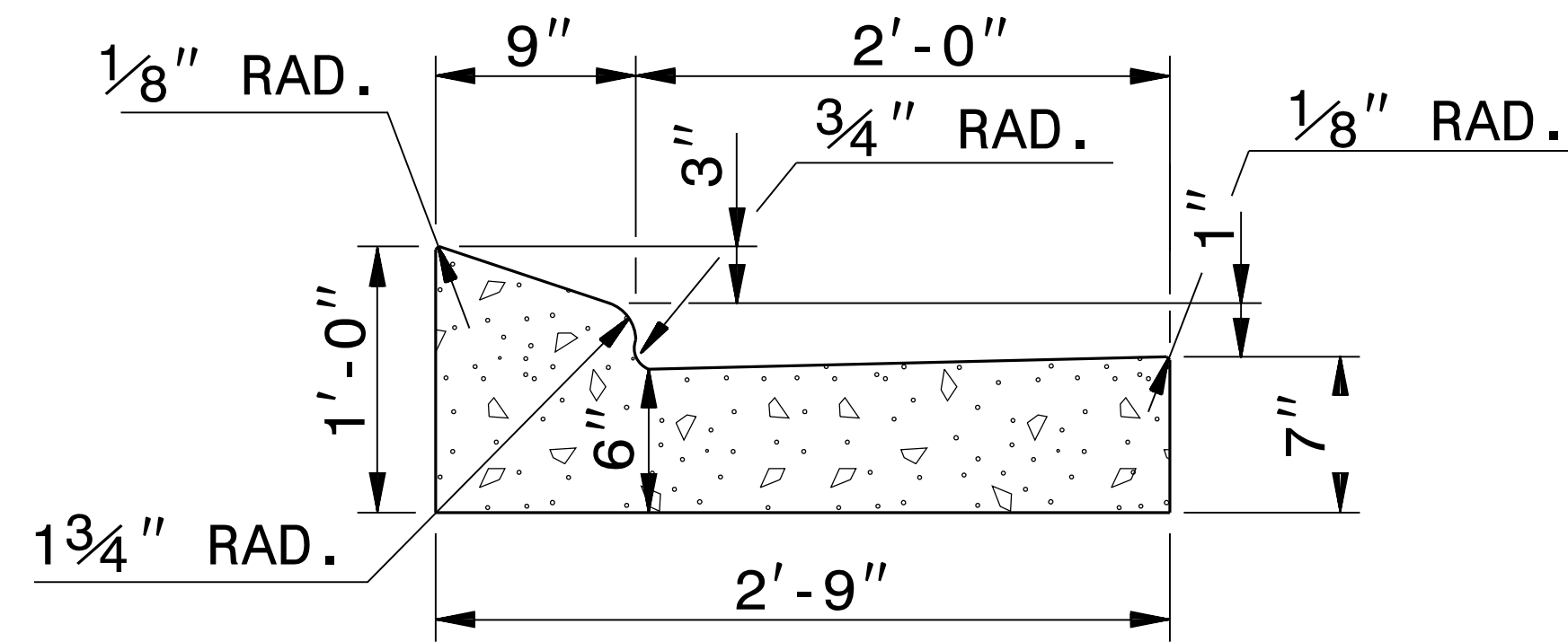
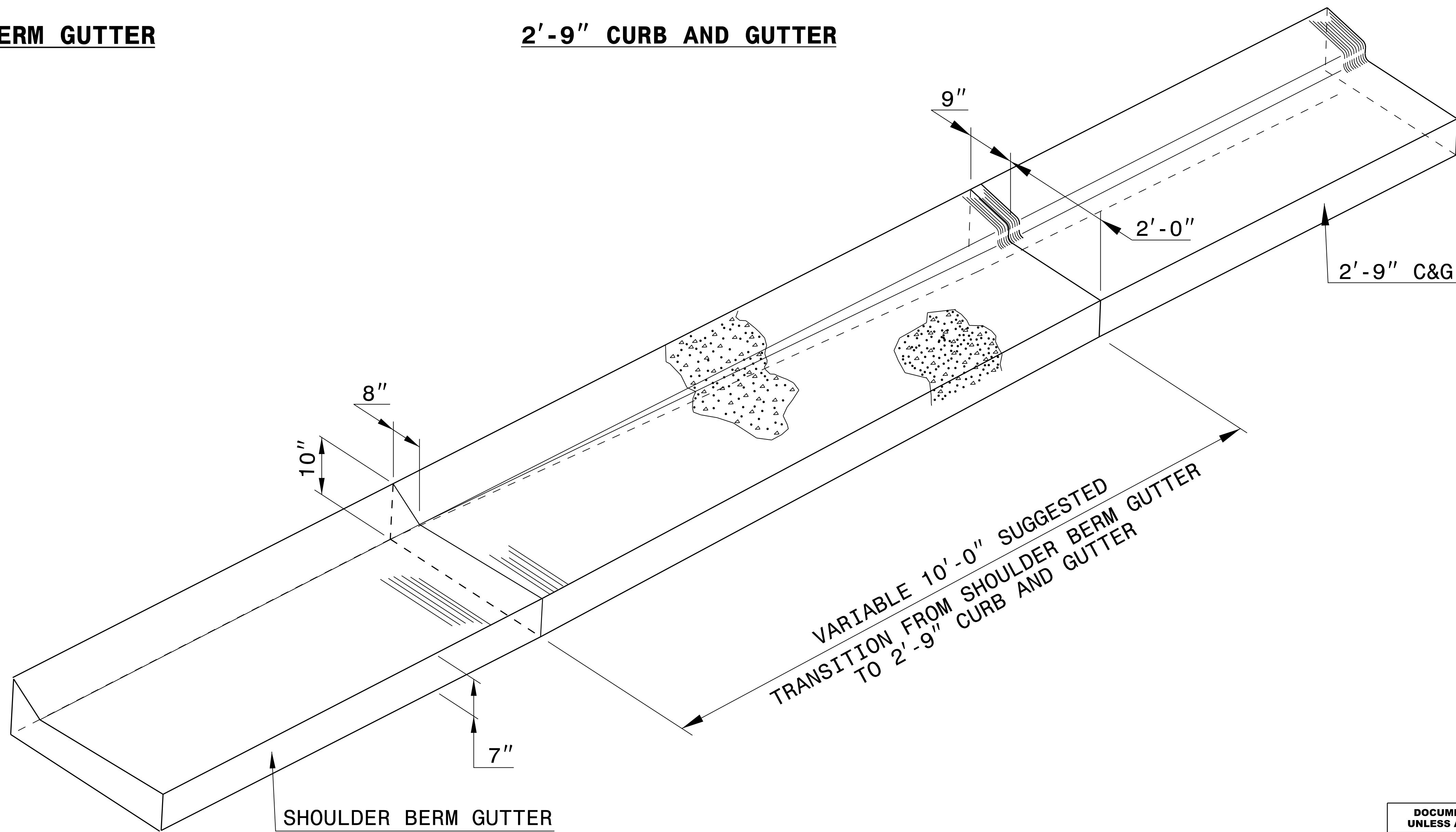


SHOULDER BERM GUTTER



2'-9" CURB AND GUTTER

*NOTE: SEE STD. DWG. 846.01 FOR GENERAL NOTES



ISOMETRIC VIEW OF TRANSITION



DOCUMENT NOT CONSIDERED FINAL
UNLESS ALL SIGNATURES COMPLETED

RS&H 8521 SIX FORKS ROAD, SUITE 400
RALEIGH, NC 27615
NC FIRM LICENSE No: F-0493

**DETAIL OF SHOULDER BERM GUTTER
TO 2'-9" CURB & GUTTER
TRANSITION SECTION**

ORIGINAL BY: _____	DATE: _____
MODIFIED BY: _____	DATE: _____
CHECKED BY: _____	DATE: _____
FILE SPEC.: _____	

09-JUN-2022 16:46 C:\Users\jbond\OneDrive\Desktop\c&g transition sections.dgn \$\$\$USERNAME\$\$\$ 5/14/99