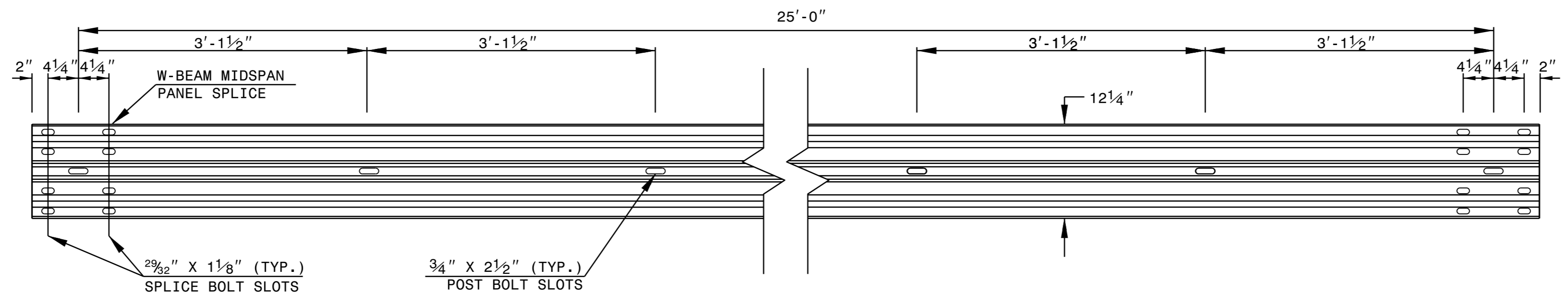


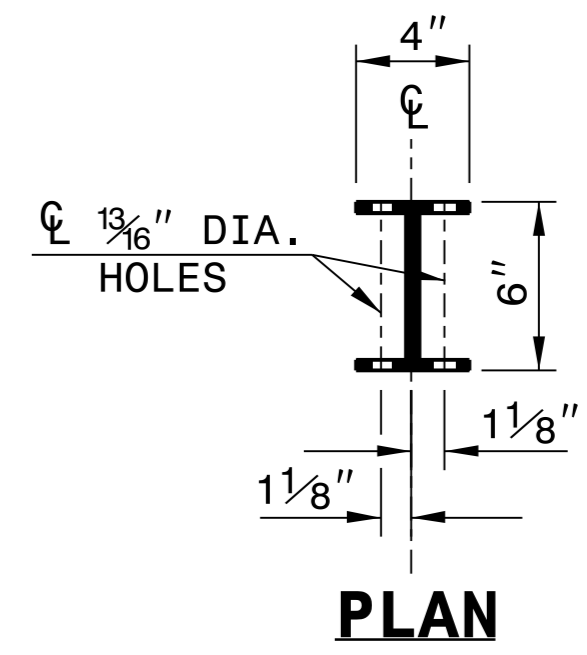
STATE OF NORTH CAROLINA  
 DEPT. OF TRANSPORTATION  
 DIVISION OF HIGHWAYS  
 RALEIGH, N.C.

ROADWAY DETAIL DRAWING FOR  
**GUARDRAIL INSTALLATION**

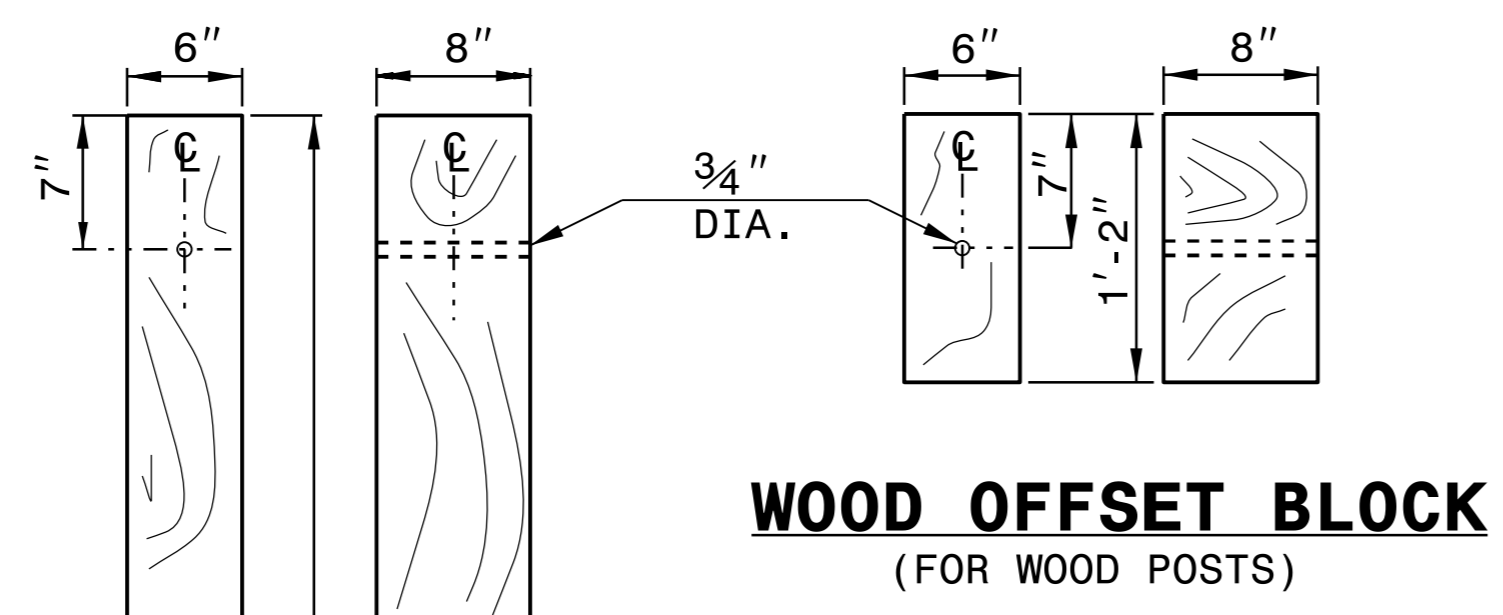
SHEET 6 OF 8  
**862D02**



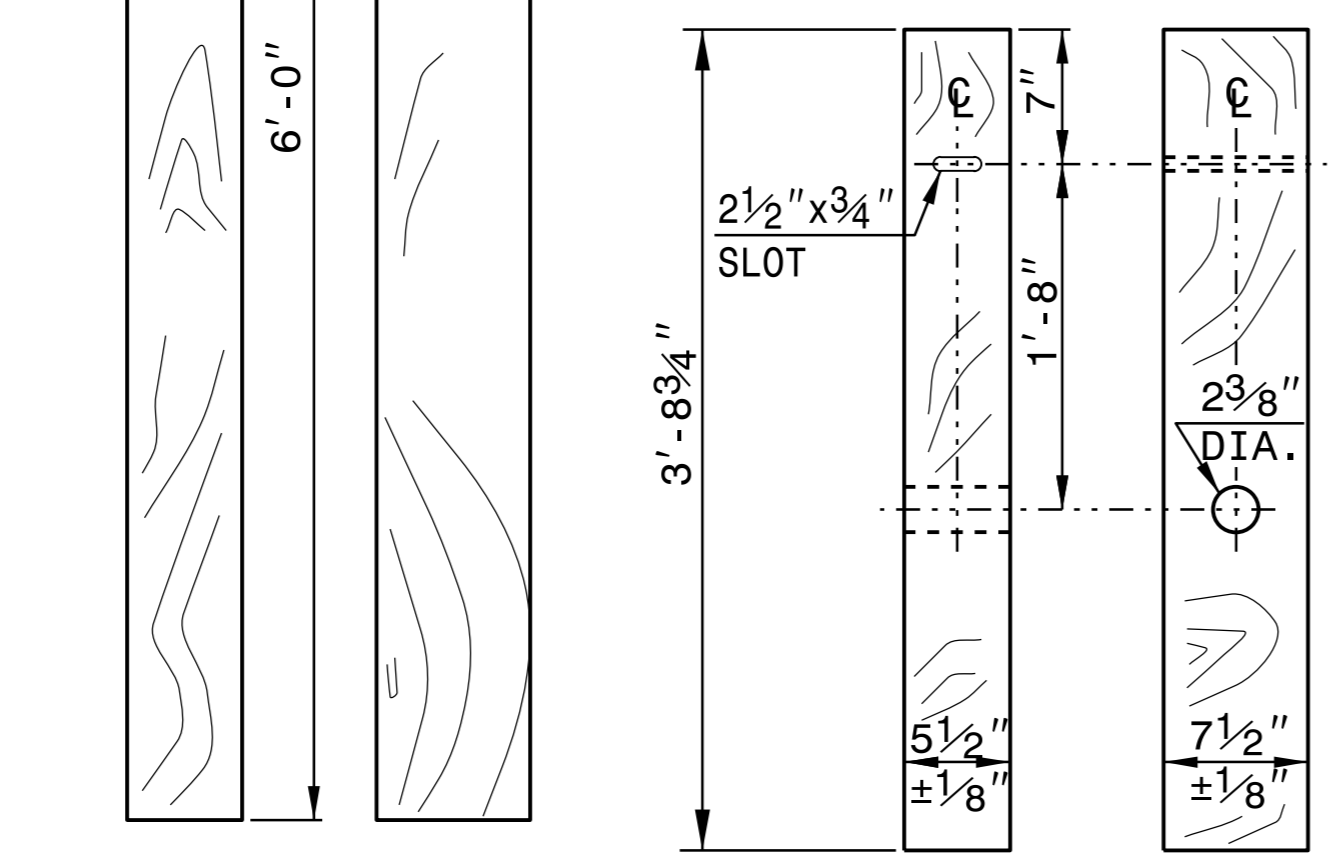
**STANDARD W-BEAM GUARDRAIL**



**PLAN**



**WOOD OFFSET BLOCK**  
(FOR WOOD POSTS)

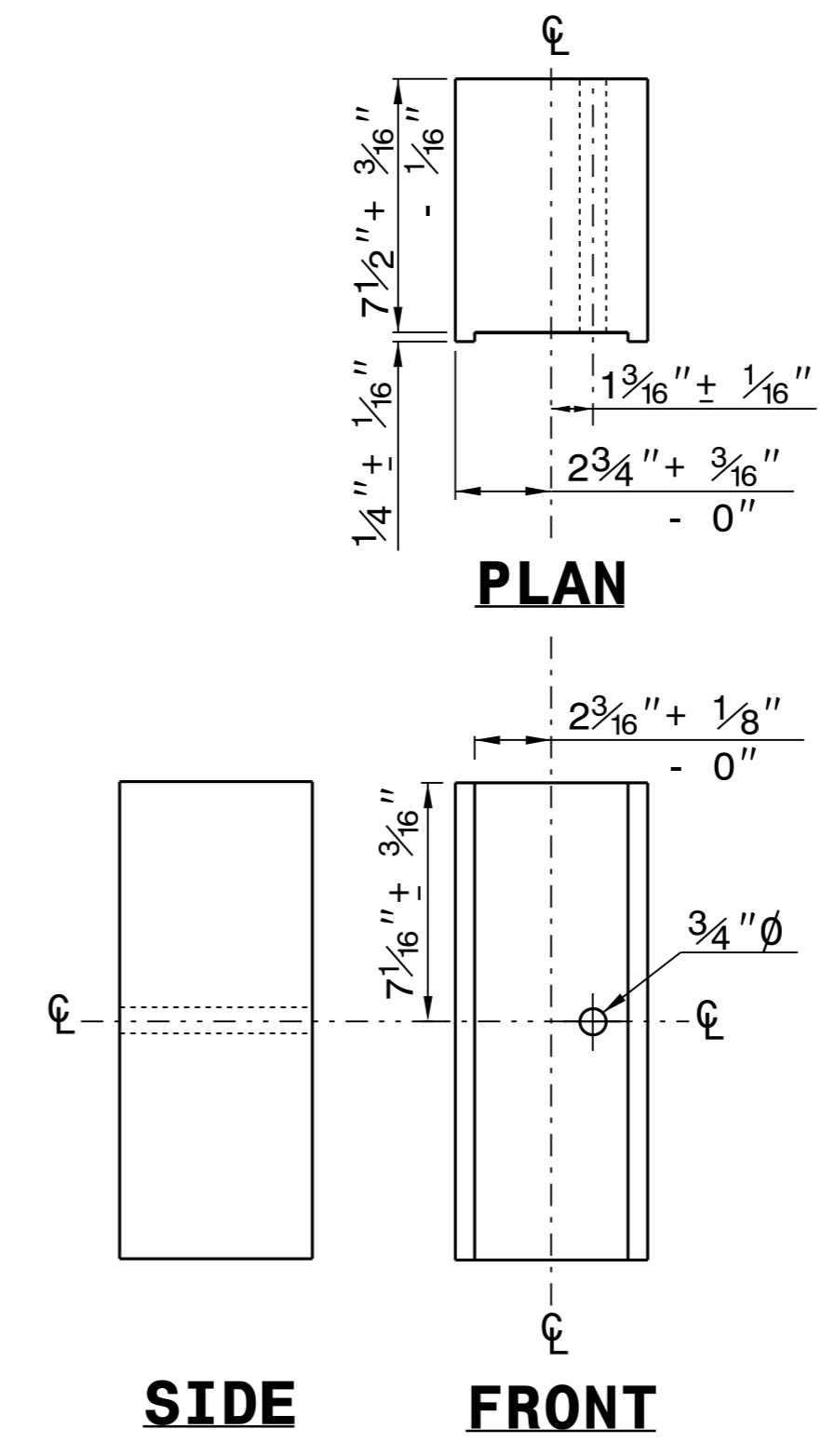


**STANDARD LINE POST**

**SHORT WOOD BREAKAWAY POST**



**STEEL TUBE**  
TS 6"x8"x0.1875"

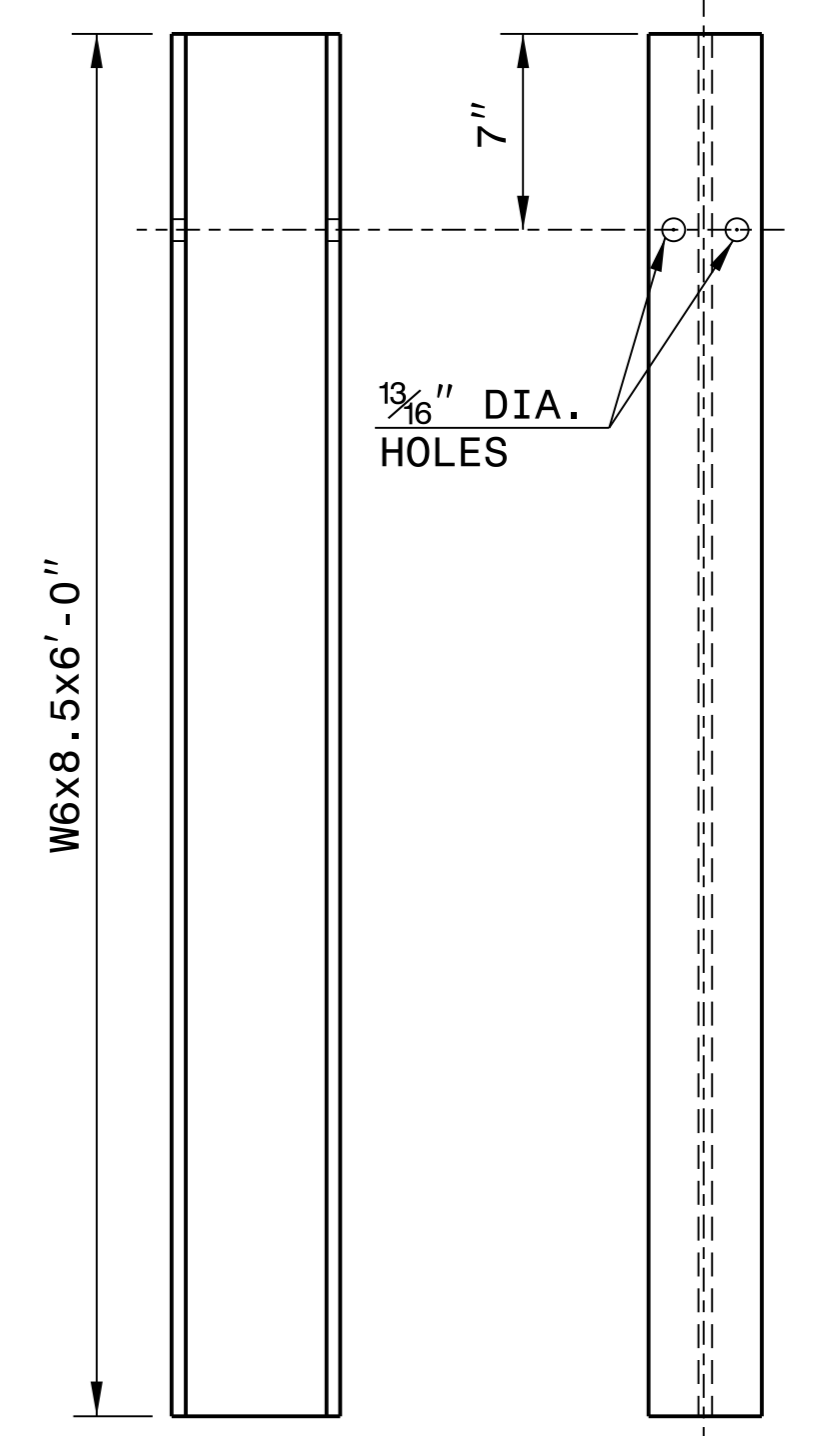


**PLAN**

**SIDE**

**FRONT**

**ROUTED OFFSET BLOCK**



**SIDE**

**FRONT**

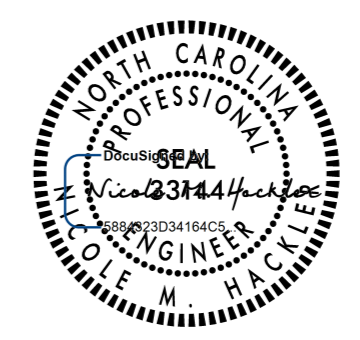
**"W6" STEEL POST**

**SYSTEM PARTS**

STATE OF NORTH CAROLINA  
 DEPT. OF TRANSPORTATION  
 DIVISION OF HIGHWAYS  
 RALEIGH, N.C.

ROADWAY DETAIL DRAWING FOR  
**GUARDRAIL INSTALLATION**

SHEET 6 OF 8  
**862D02**



DOCUMENT NOT CONSIDERED FINAL UNLESS ALL SIGNATURES COMPLETED

**CONTRACTS STANDARDS AND DEVELOPMENT UNIT**  
 Office 919-707-6950 FAX 919-250-4119  
**SEE TITLE BLOCK**  
 ORIGINAL BY: J. HOWERTON DATE: 3-7-2018  
 MODIFIED BY: \_\_\_\_\_ DATE: \_\_\_\_\_  
 CHECKED BY: \_\_\_\_\_ DATE: \_\_\_\_\_  
 FILE SPEC.: \_\_\_\_\_