

RAILROAD PREEMPTION PROGRAMMING DETAIL

(program controller as shown below)

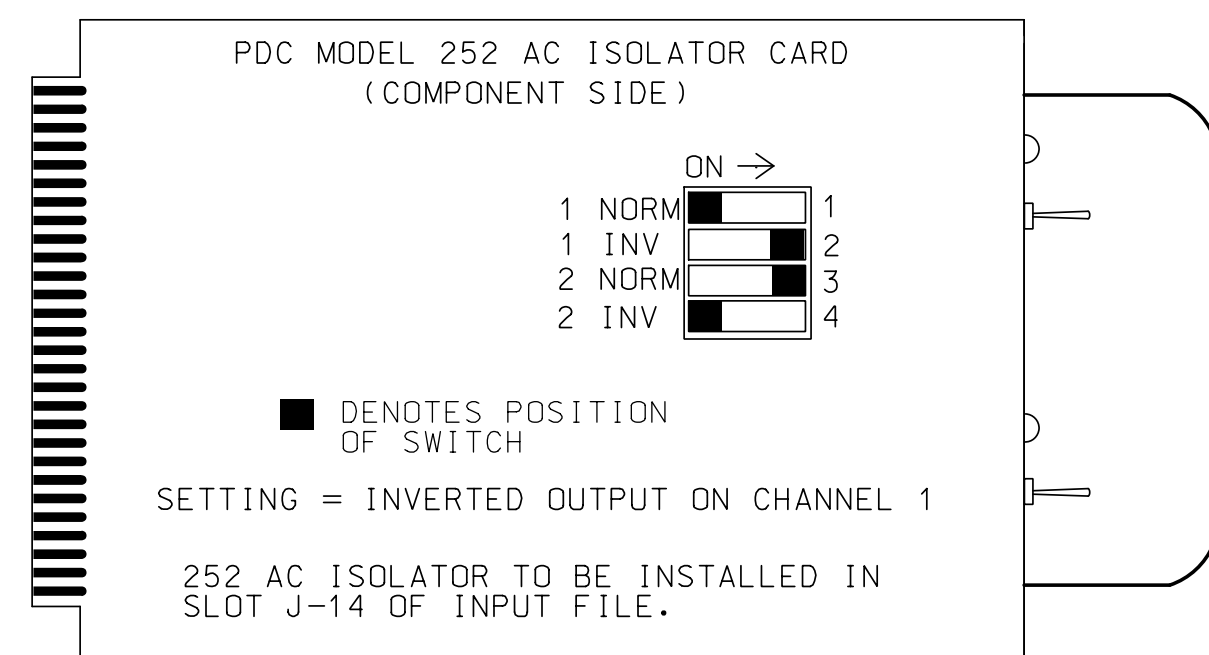
From Main Menu press 'A' (Preemption), then '1' (Standard Preemptions).

PREEMPTION #1	SETTINGS (NEXT:1-10)
INTERVAL/TIMING	CLEAR/DWELL PHASES
GRN YEL RED	12345678910111213141516
1 17 3.8 4.4	X X
2 255 0.0 0.0	X X X
3 0 0.0 0.0	
4 0 0.0 0.0	
5 1 0.0 0.0	X X

EXIT CALLS	OPTIONS
PRIORITY (Y/N TO SELECT)HIGH
DELAY TIMER (0-255 SEC)0
MIN GREEN BEFORE PRE (0= DEFAULT)1
PED CLEAR BEFORE PRE (0= DEFAULT)4
YELLOW CLEAR BEFORE PRE (0= DEFAULT)4.6
RED CLEAR BEFORE PRE (0= DEFAULT)4.3
DWELL MIN TIMER (0-255 SEC)7
DWELL MAX TIMER (0=OFF,1-255MIN)0
DWELL HOLD-OVER TIMER (0-255)0
LATCH CALL?N
LINK TO NEXT PREEMPT?N
ENABLE BACKUP PROTECTION?N
HOLD CLEAR 1 PHASES DURING DELAY?N
FAST GREEN FLASH DWELL PHASES?N
PED CLEARANCE THROUGH YELLOW?Y
INHIBIT OVERLAP GREEN EXTENSION?N
SERVICE DURING SOFTWARE FLASH?N
REST IN RED DURING DWELL INTERVAL?N
FLASH DWELL INTERVAL?N
ALLOW PEDS IN DWELL INTERVAL?N
RE-TIME DWELL INTERVAL?N
OVERLAPS:	ABCDEFGHIJKLMN
DWELL INT FLASH YELLOW	X
OMIT OVERLAPS:	X

PREEMPT 1 AC ISOLATOR (MODEL 252) OUTPUT PROGRAMMING DETAIL

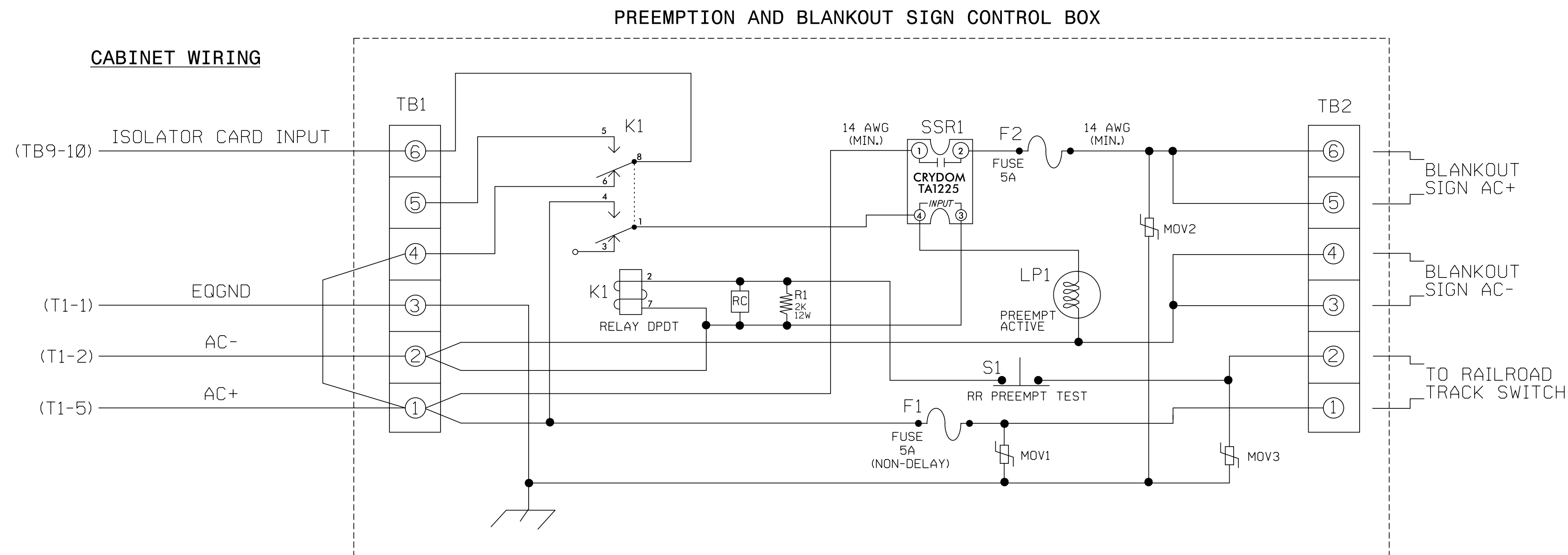
(set DIP switches as shown below)



NOTE: IF ANOTHER MANUFACTURER TYPE OF AC ISOLATOR IS USED, OUTPUT PROGRAMMING IS LIKELY NOT TO EQUATE TO THAT SHOWN ABOVE.

RAILROAD PREEMPTION WIRING DETAIL

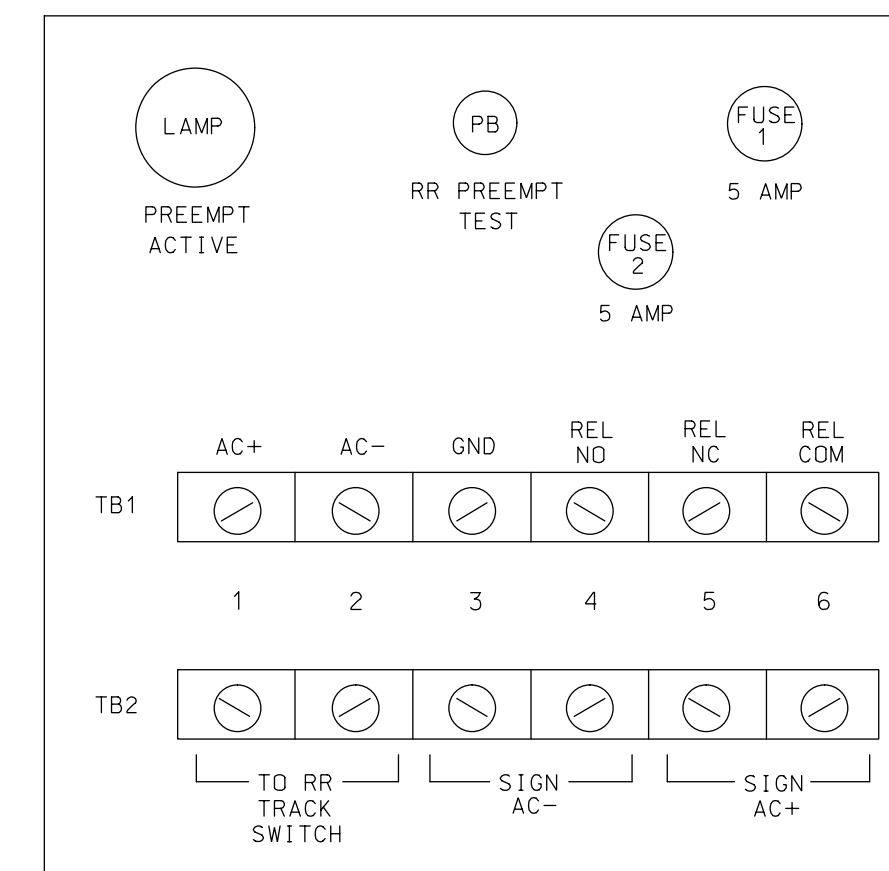
(wire as shown below)



NOTES

- Relay K1 is shown in the energized (Preempt not active) normal operation state.
- Relay 'K1' is an enclosed DPDT general purpose relay with a 120VAC coil, 10A contacts, and octal-style plug.
- Relay SSR1 is a SPST (normally open) Solid State Relay with AC input and AC (25 amp) output.
- AC Isolator Card shall activate preemption upon removal of AC+ from the input (as shown above). To accomplish this, set invert dip switch on AC Isolator Card.
- IMPORTANT!! Terminal TB9-12 (on input panel) shall be connected to AC neutral (jumper may have to be added).

FRONT VIEW



THIS ELECTRICAL DETAIL IS FOR THE SIGNAL DESIGN: 04-0556
 DESIGNED: December 2018
 SEALED: 6/30/20
 REVISED: N/A

Electrical Detail - Sheet 3 of 3

Prepared For:

 PLANS PREPARED IN THE OFFICE OF:
Kimley Horn
 NC License #F-0102
 421 Fayetteville Street, Suite 600
 Raleigh, NC 27601
 (919) 677-2000

US 13 (BERKELEY BOULEVARD)
 AT
SR 1560 (ROYALL AVENUE) AND SR 1709 (CENTRAL HEIGHTS ROAD)
 Division 4 Wayne County Goldsboro
 PLAN DATE: December 2018 REVIEWED BY: SL Phillips
 PREPARED BY: SP Pennington REVIEWED BY:
 REVISIONS: INIT. DATE

DOCUMENT NOT CONSIDERED FINAL UNLESS ALL SIGNATURES COMPLETED

SEAL

 DATE: 6/30/2020
 INVENTORY NO. 04-0556