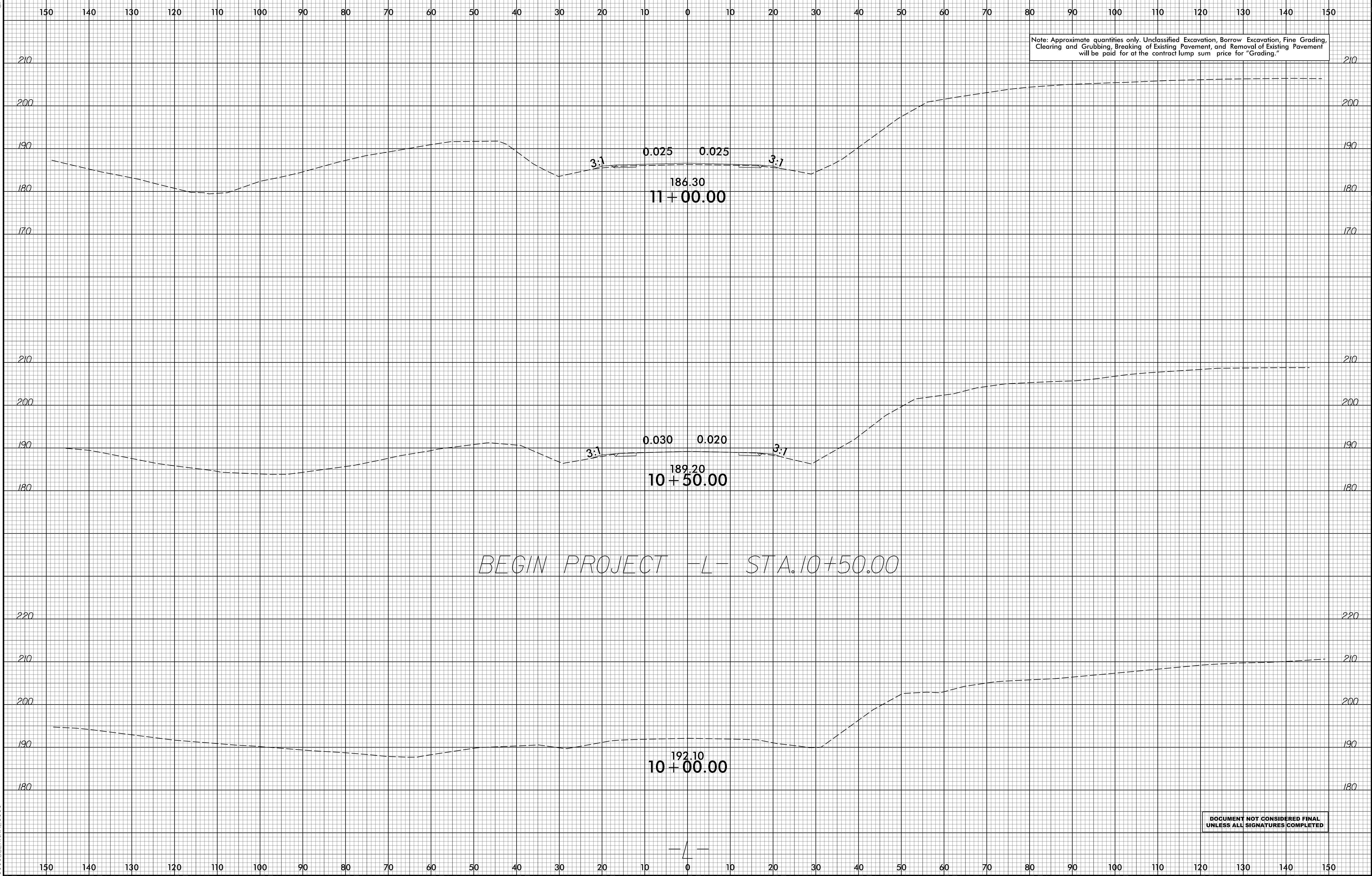


**This electronic collection of documents is provided
for the convenience of the user
and is Not a Certified Document –**

**The documents contained herein were originally issued
and sealed by the individuals whose names and license
numbers appear on each page, on the dates appearing
with their signature on that page.**

**This file or an individual page
shall not be considered a certified document.**



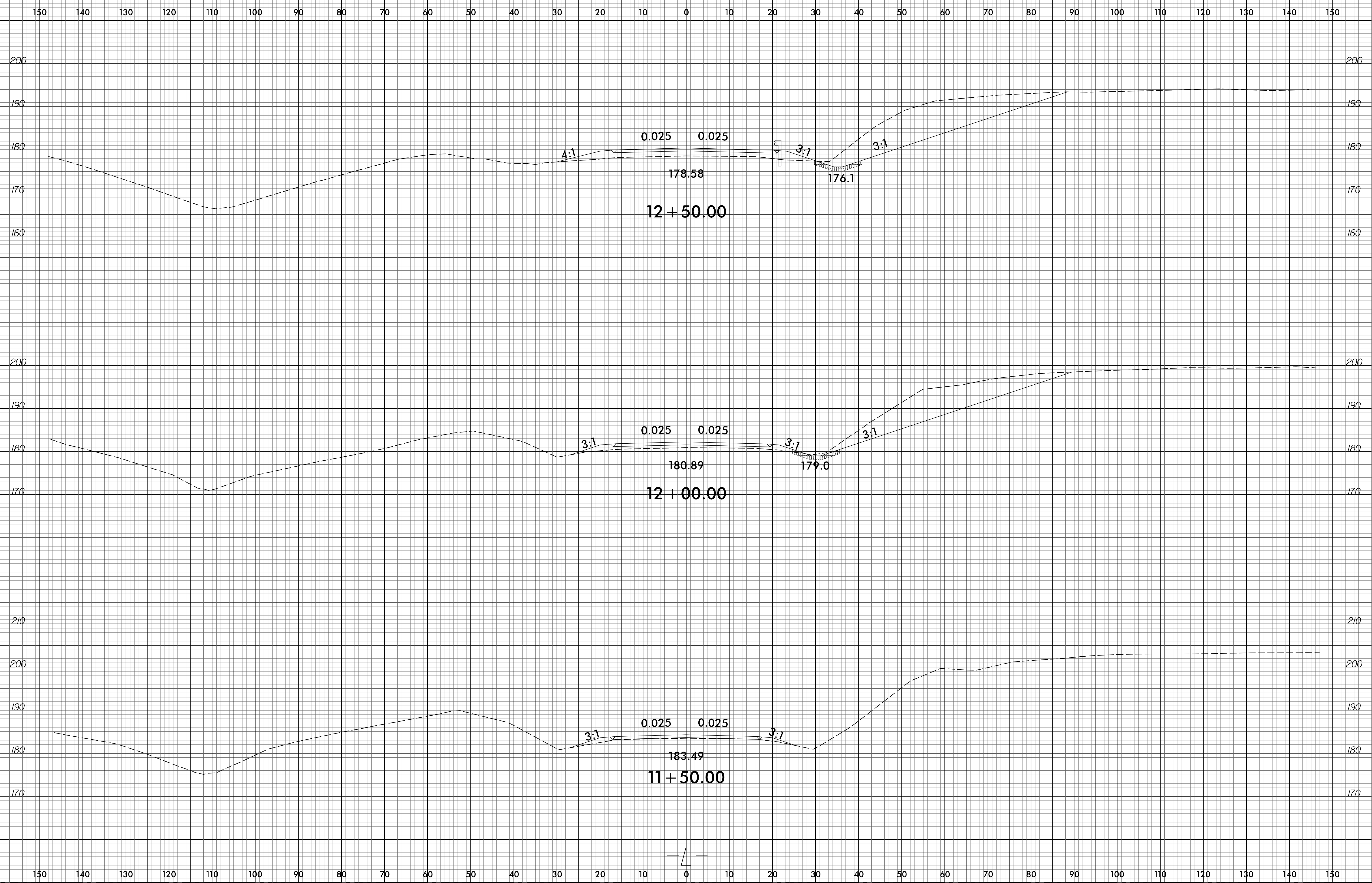
Note: Approximate quantities only. Unclassified Excavation, Borrow Excavation, Fine Grading, Clearing and Grubbing, Breaking of Existing Pavement, and Removal of Existing Pavement will be paid for at the contract lump sum price for "Grading."

BEGIN PROJECT -L- STA. 10+50.00

DOCUMENT NOT CONSIDERED FINAL
UNLESS ALL SIGNATURES COMPLETED

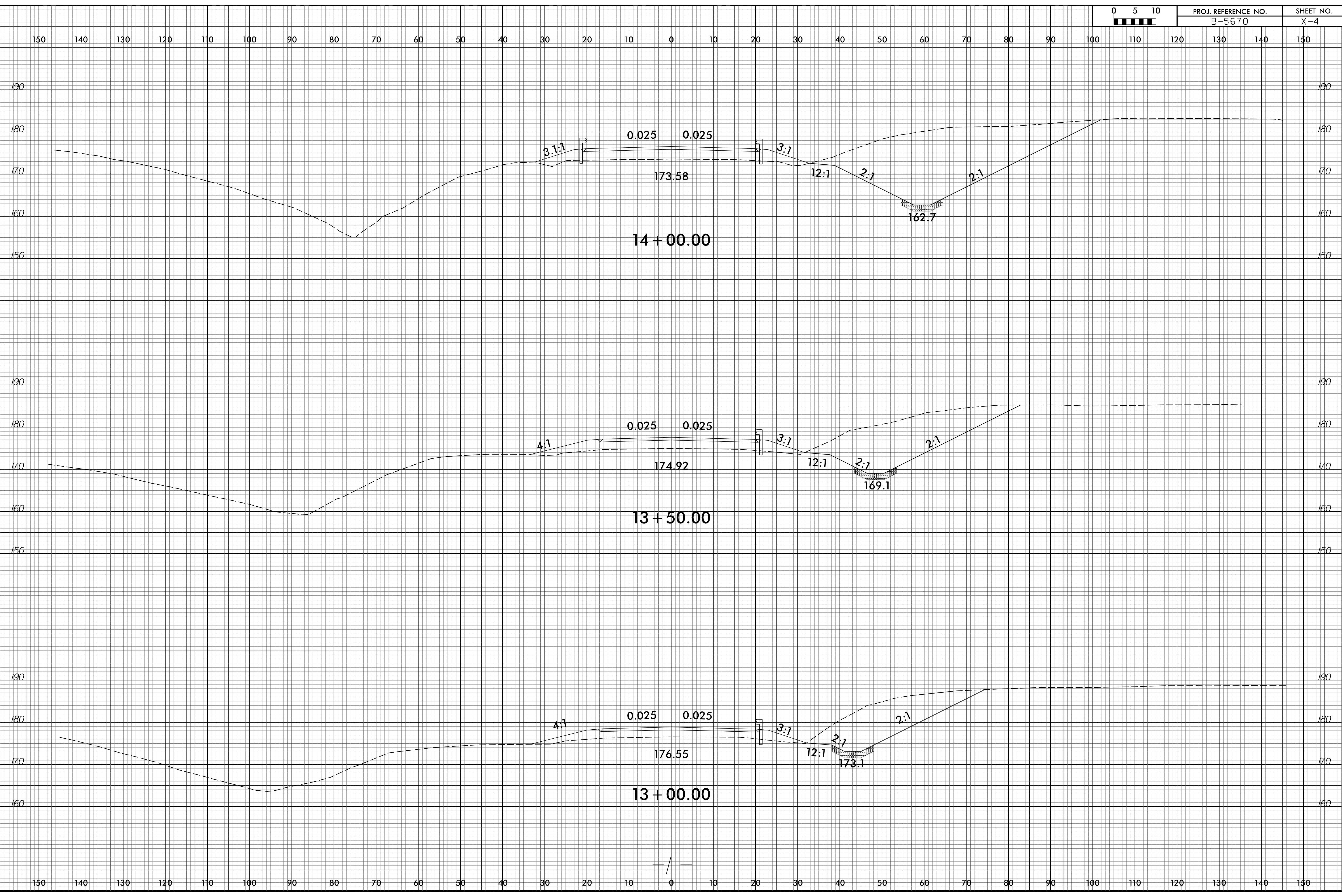
I:\JUN-2022 10:06
 M:\2016\16051801945.23 B-5670\Roadway\CorridorModeling\B-5670.Rdy.apl.dgn
 \$\$\$USERNAME\$\$\$

6/23/16



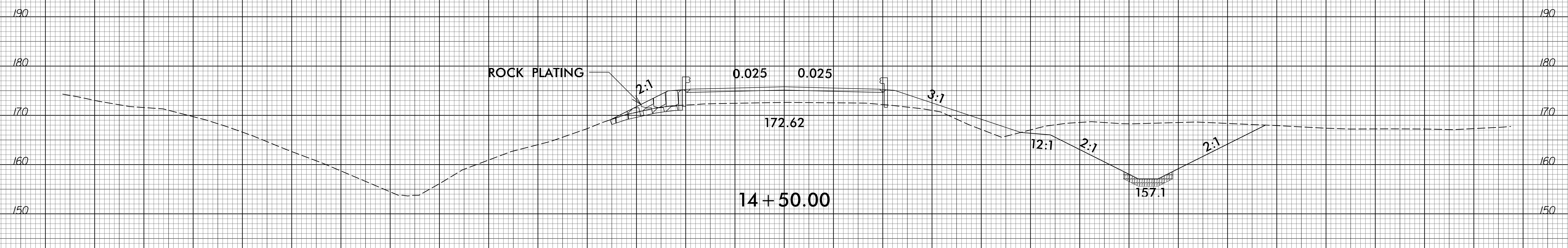
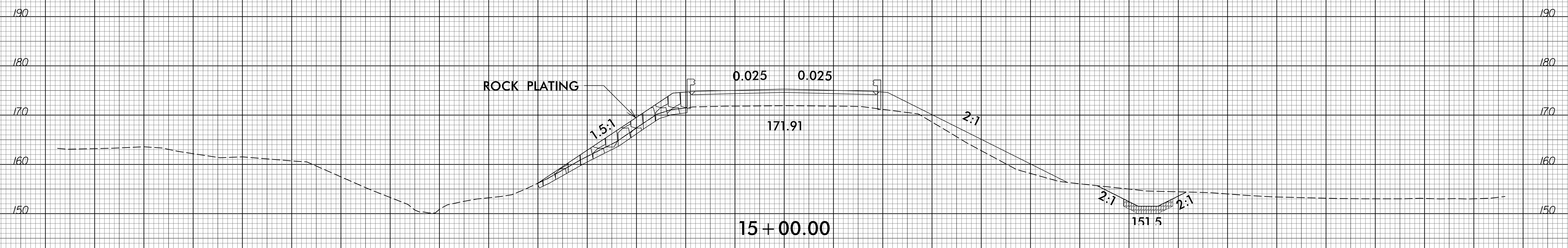
I:\JUN-2022 10:06
M:\2016\251801945_23 B-5670\Roadway\CorridorModeling\B-5670_Rdy_xpl.dgn
\$\$\$\$\$USERNAME\$\$\$\$\$

6/23/16

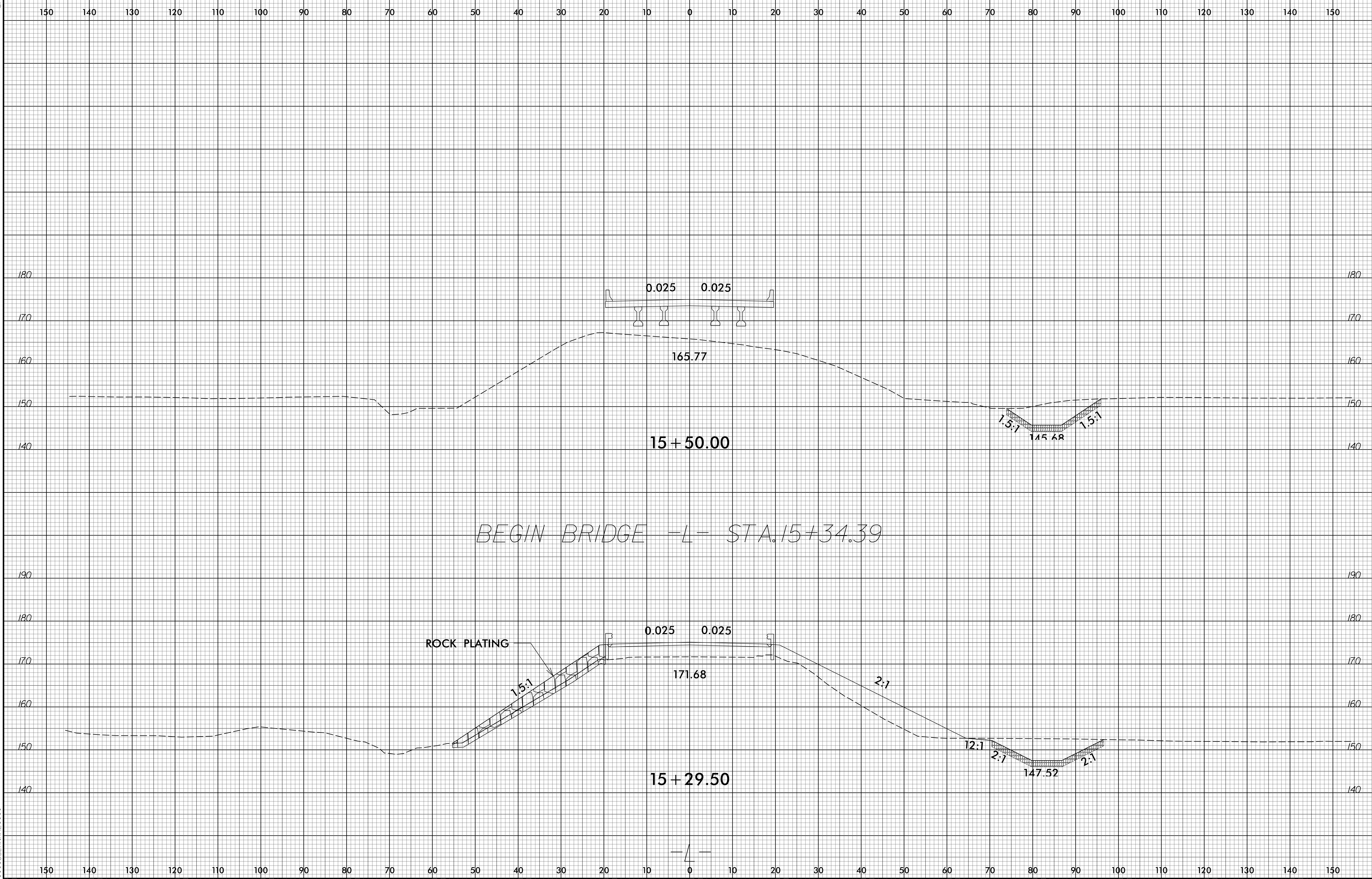


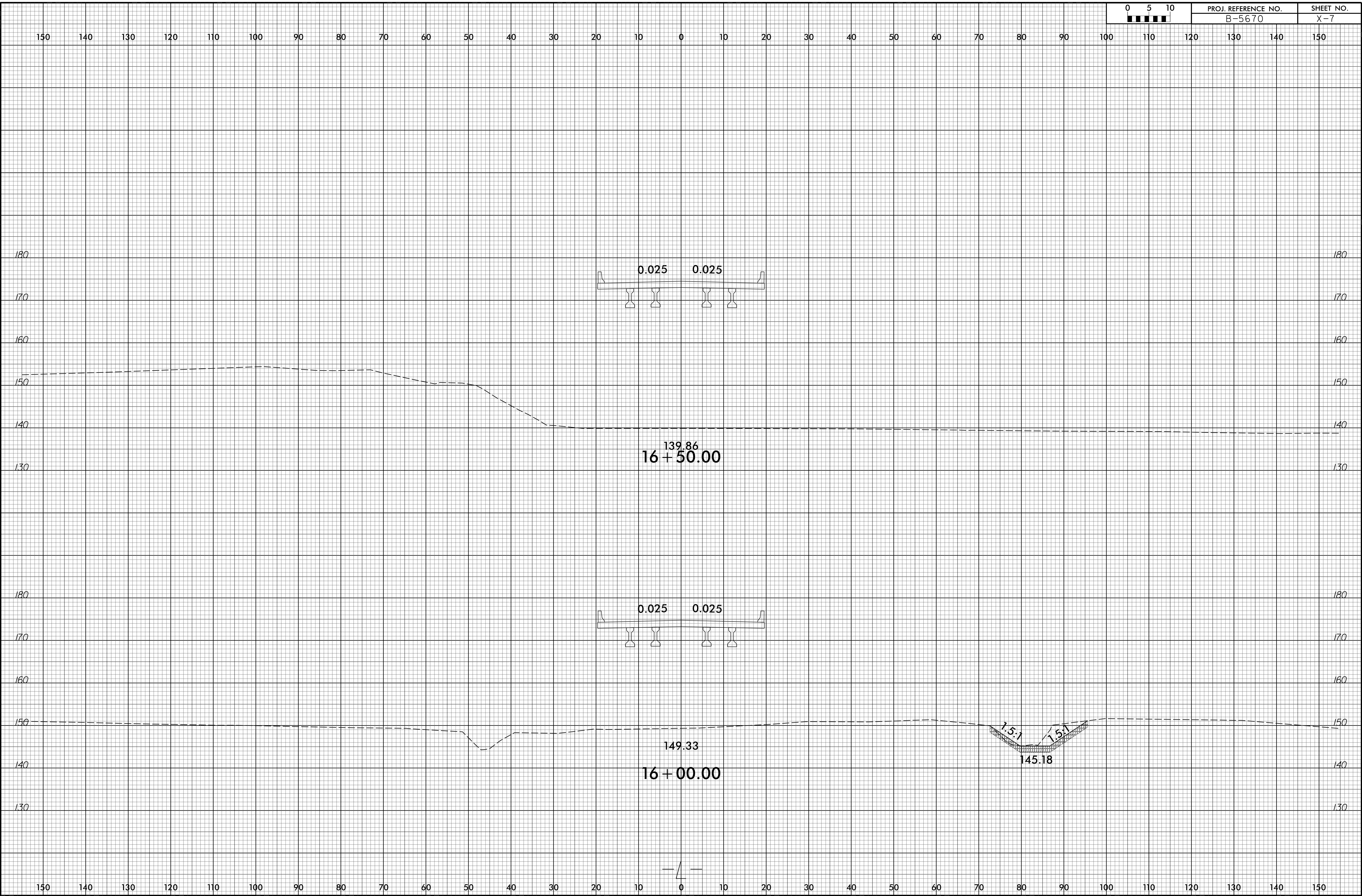
I:\JUN-2022 10:07 AM 2016\251801945.23 B-5670\Roadway\CorridorModeling\B-5670.Rdy -xpl.dgn

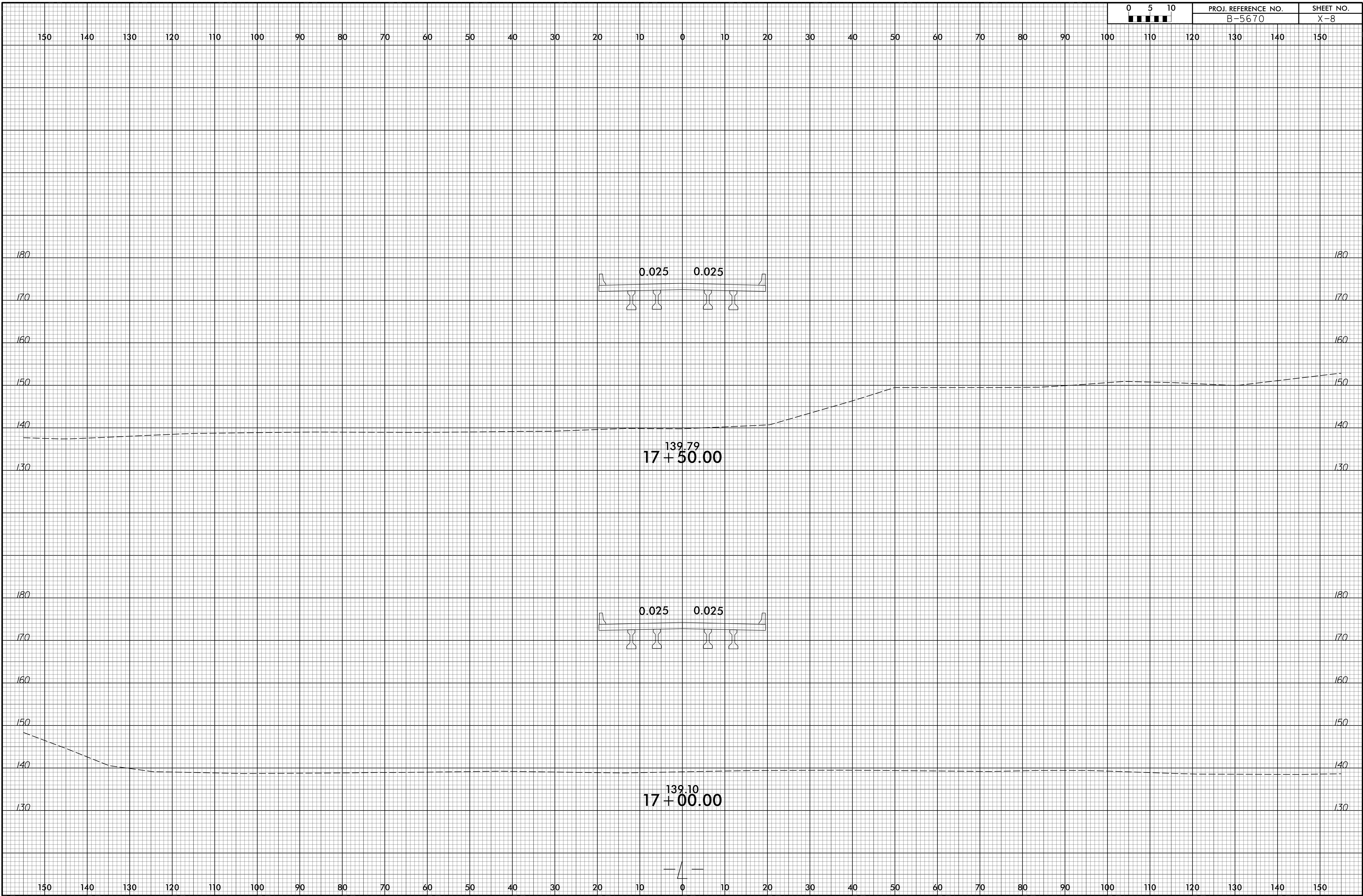
150 140 130 120 110 100 90 80 70 60 50 40 30 20 10 0 10 20 30 40 50 60 70 80 90 100 110 120 130 140 150



150 140 130 120 110 100 90 80 70 60 50 40 30 20 10 0 10 20 30 40 50 60 70 80 90 100 110 120 130 140 150

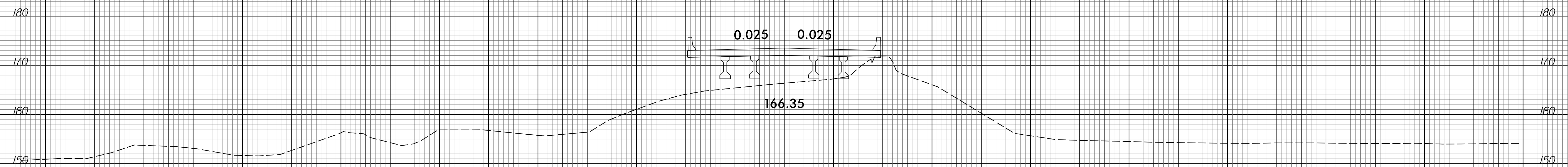




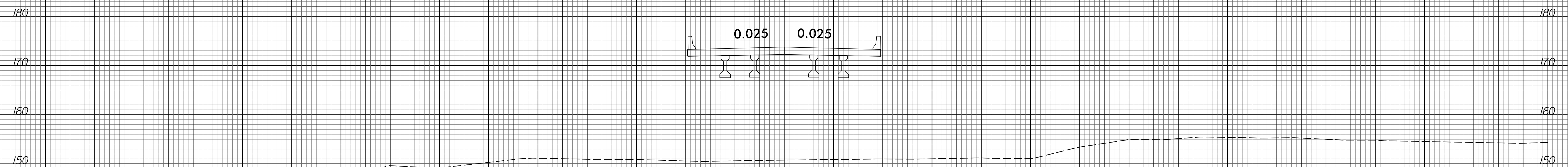


150 140 130 120 110 100 90 80 70 60 50 40 30 20 10 0 10 20 30 40 50 60 70 80 90 100 110 120 130 140 150

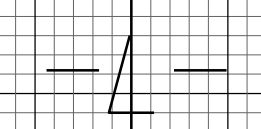
END BRIDGE -L- STA. 18+61.61



18 + 50.00

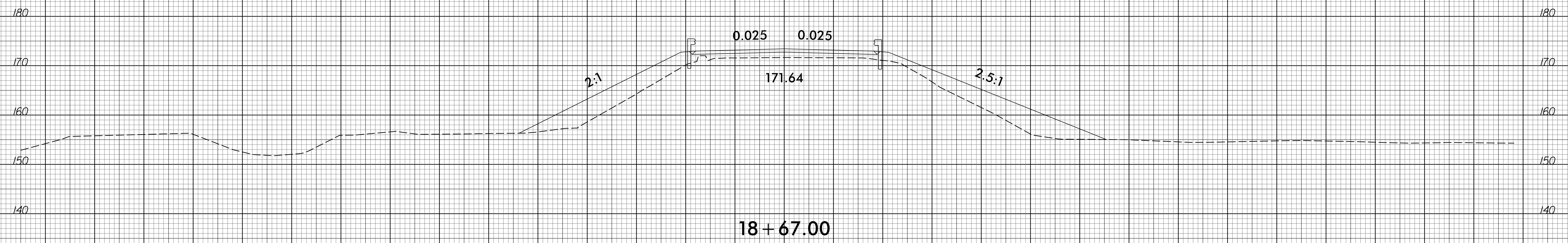
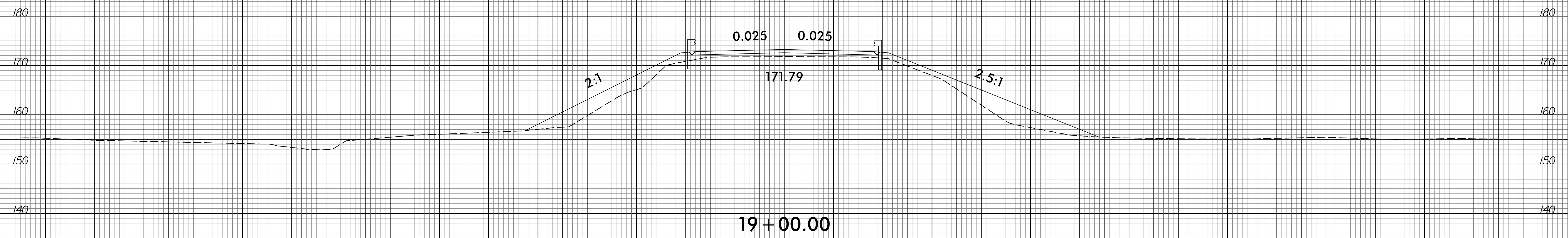


18 + 00.00



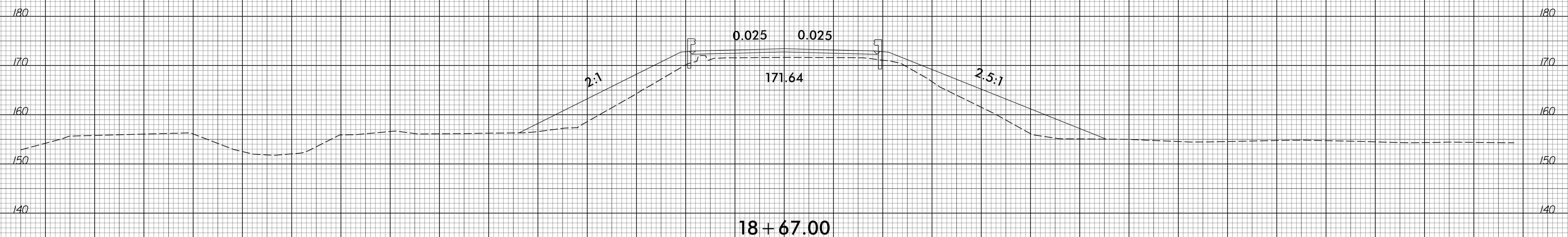
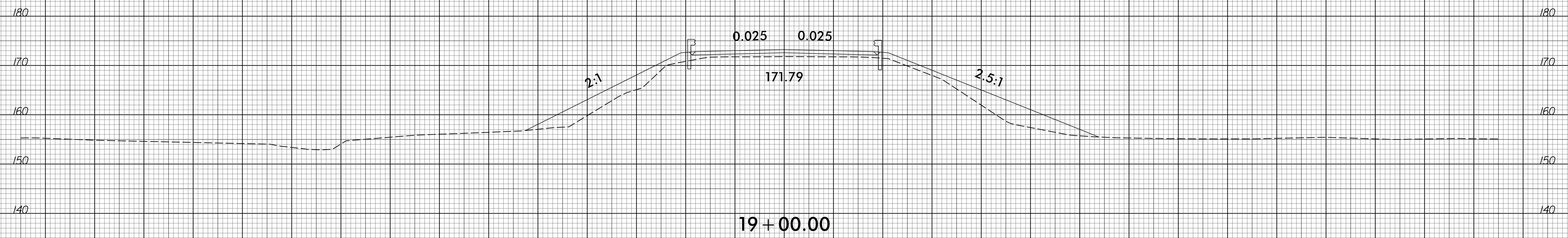
150 140 130 120 110 100 90 80 70 60 50 40 30 20 10 0 10 20 30 40 50 60 70 80 90 100 110 120 130 140 150

150 140 130 120 110 100 90 80 70 60 50 40 30 20 10 0 10 20 30 40 50 60 70 80 90 100 110 120 130 140 150

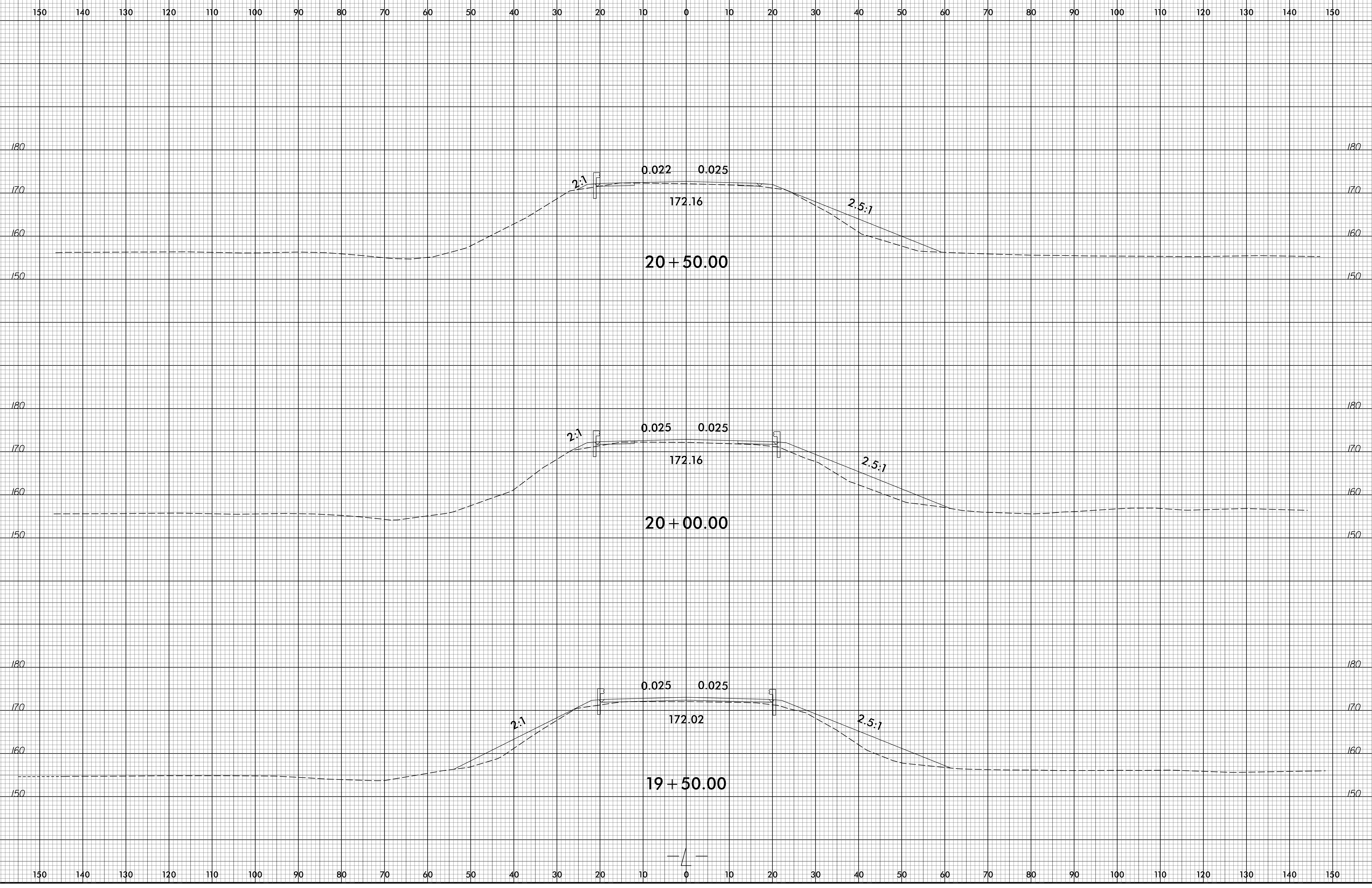


150 140 130 120 110 100 90 80 70 60 50 40 30 20 10 0 10 20 30 40 50 60 70 80 90 100 110 120 130 140 150

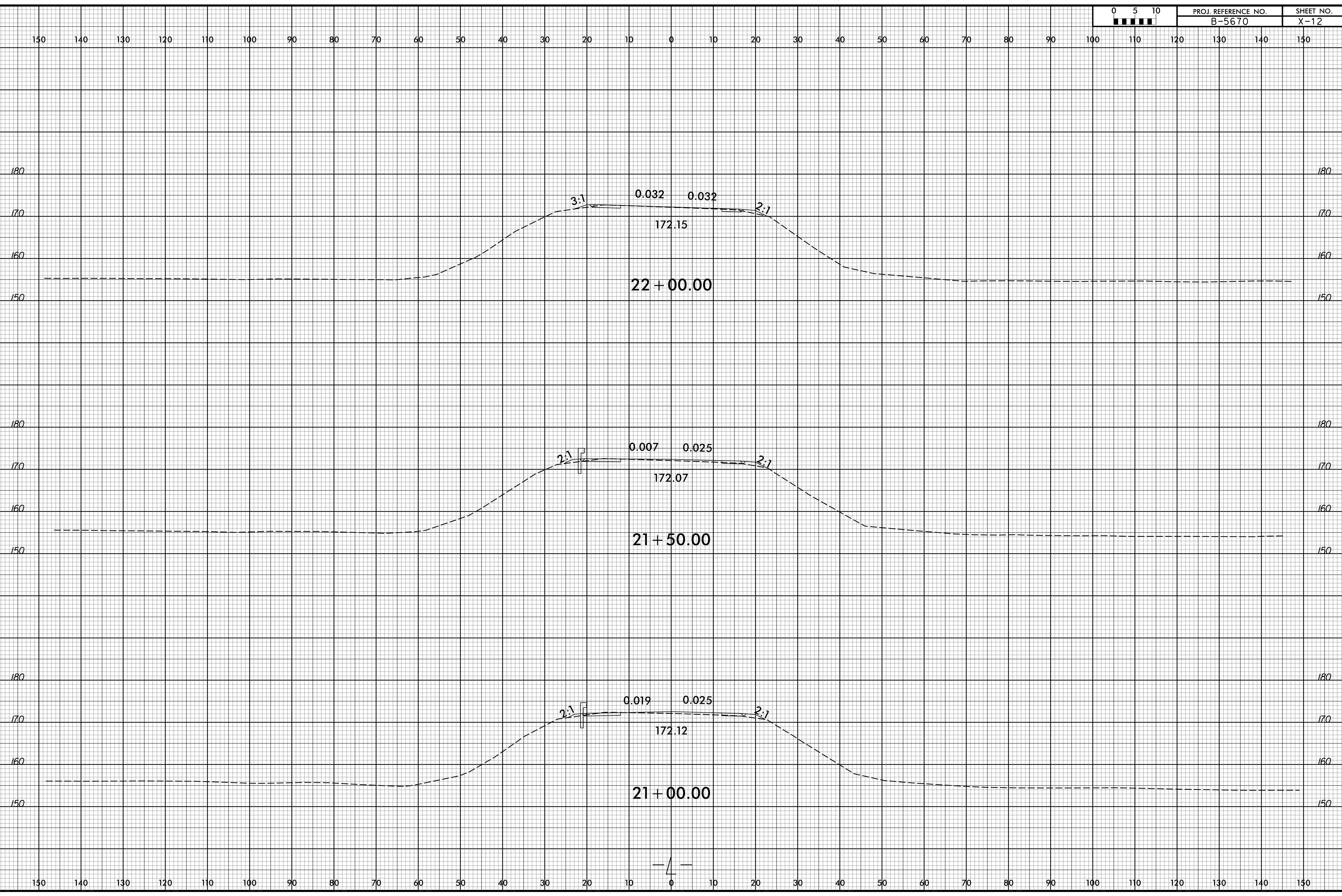
150 140 130 120 110 100 90 80 70 60 50 40 30 20 10 0 10 20 30 40 50 60 70 80 90 100 110 120 130 140 150



150 140 130 120 110 100 90 80 70 60 50 40 30 20 10 0 10 20 30 40 50 60 70 80 90 100 110 120 130 140 150



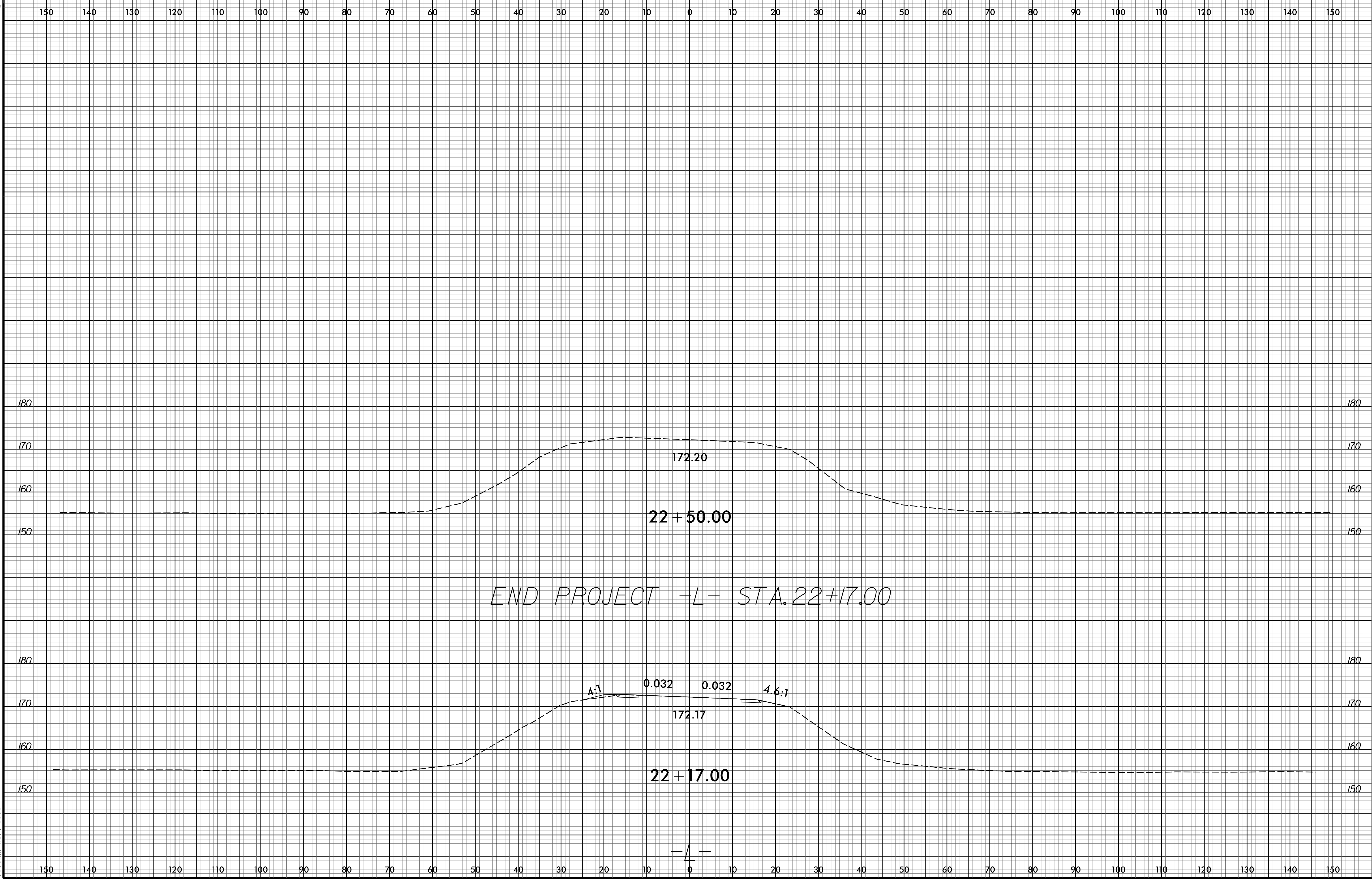
6/23/16



04-NOV-2022 10:24
 M:\2018\2518015_23 B-5670\Roadway\CorridorModeling\B-5670_Rdy_xpl.dgn
 \$\$\$\$USERNAME\$\$\$

6/23/16

0	5	10	PROJ. REFERENCE NO.	SHEET NO.
█	█	█	B-5670	X-13



04-NOV-2022 10:25
 M:\2018\2518015_23 B-5670\Roadway\CorridorModeling\B-5670.Rdy.apl.dgn
 \$\$\$USERNAME\$\$\$