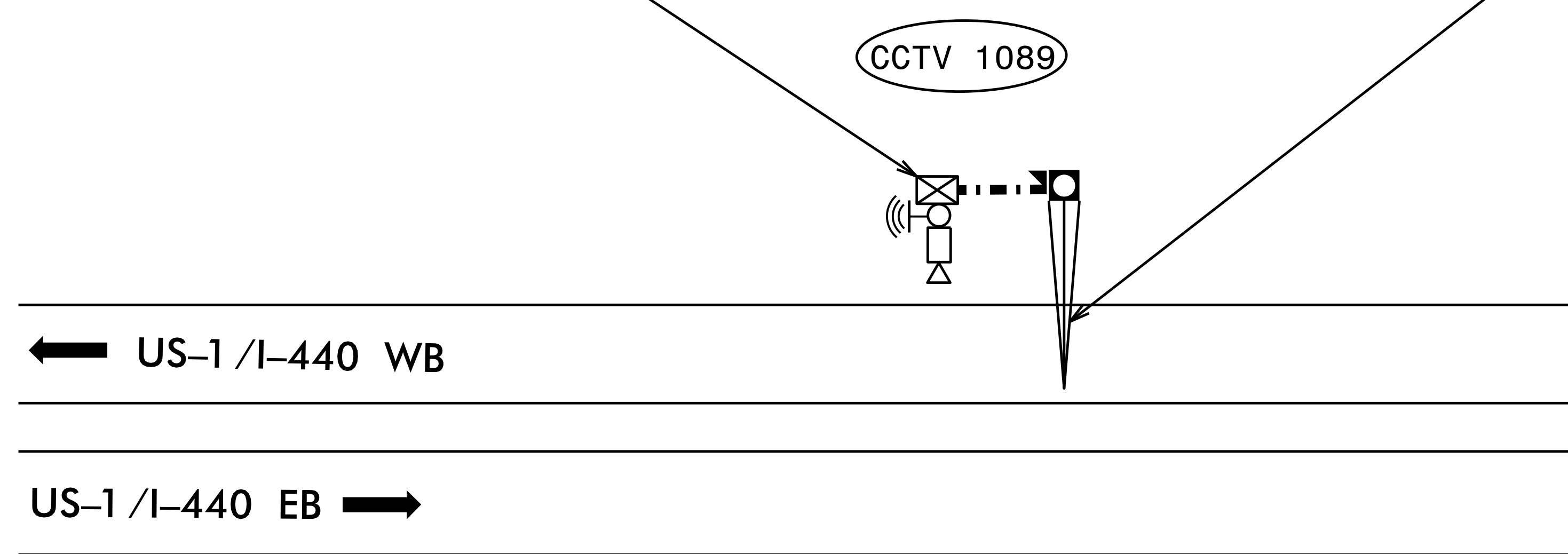


CCTV 1089 GPS COORDINATES
35.83613 N, -78.64985 W

INSTALL THE FOLLOWING	
QUANTITY	DESCRIPTION
1 EA	DIGITAL CCTV CAMERA ASSEMBLY
1 EA	FIELD EQUIPMENT CABINET
1 EA	CCTV WOOD POLE
1 EA	INTERCONNECT CENTER
1 EA	ETHERNET EDGE SWITCH
1 EA	WIRELESS ETHERNET SYSTEM
1 EA	MODIFY EXISTING ELECTRICAL SERVICE
30 LF	UNPAVED TRENCHING (1) (2")
35 LF	3-WIRE #12 COPPER FEEDER CONDUCTORS

EXITS 7 B - A

Glenwood Ave
Crabtree Valley
Durham
1 MILE



NOTES

1. REMOVE EXISTING CCTV CAMERA ASSEMBLY, EQUIPMENT CABINET, INTERCONNECT CENTER, CCTV WOOD POLE AND WIRELESS SYSTEM.
2. INSTALL NEW CCTV CAMERA ASSEMBLY, EQUIPMENT CABINET, AND WIRELESS SYSTEM ON NEW CCTV WOOD POLE. INSTALL ETHERNET EDGE SWITCH AND INTERCONNECT CENTER IN NEW EQUIPMENT CABINET.
3. ENSURE EXISTING FIBER OPTIC CABLE CONNECTIONS ARE LABELED BEFORE DISCONNECTING. RESPLICE OR RECONNECT FIBER OPTIC CABLE BASED ON EXISTING TERMINATION CONFIGURATION. WORK IS NOT COMPLETE UNTIL ALL FIBER OPTIC COMMUNICATIONS ARE OPERATIONAL.
4. CONTRACTOR SHALL MAINTAIN AND RE-USE EXISTING ELECTRICAL SERVICE.

MM 7.5

**DOCUMENT NOT CONSIDERED FINAL
 UNLESS ALL SIGNATURES COMPLETED**

	ITS DEVICE REPLACEMENT		
	DIVISION 05 WAKE CO. PLAN DATE: SEPTEMBER 2021 PREPARED BY: B. CHRISTIAN REVISIONS: _____ INIT. DATE: _____	REVIEWED BY: A. J. SKUCE, PE. REVIEWED BY: _____ DATE: _____	