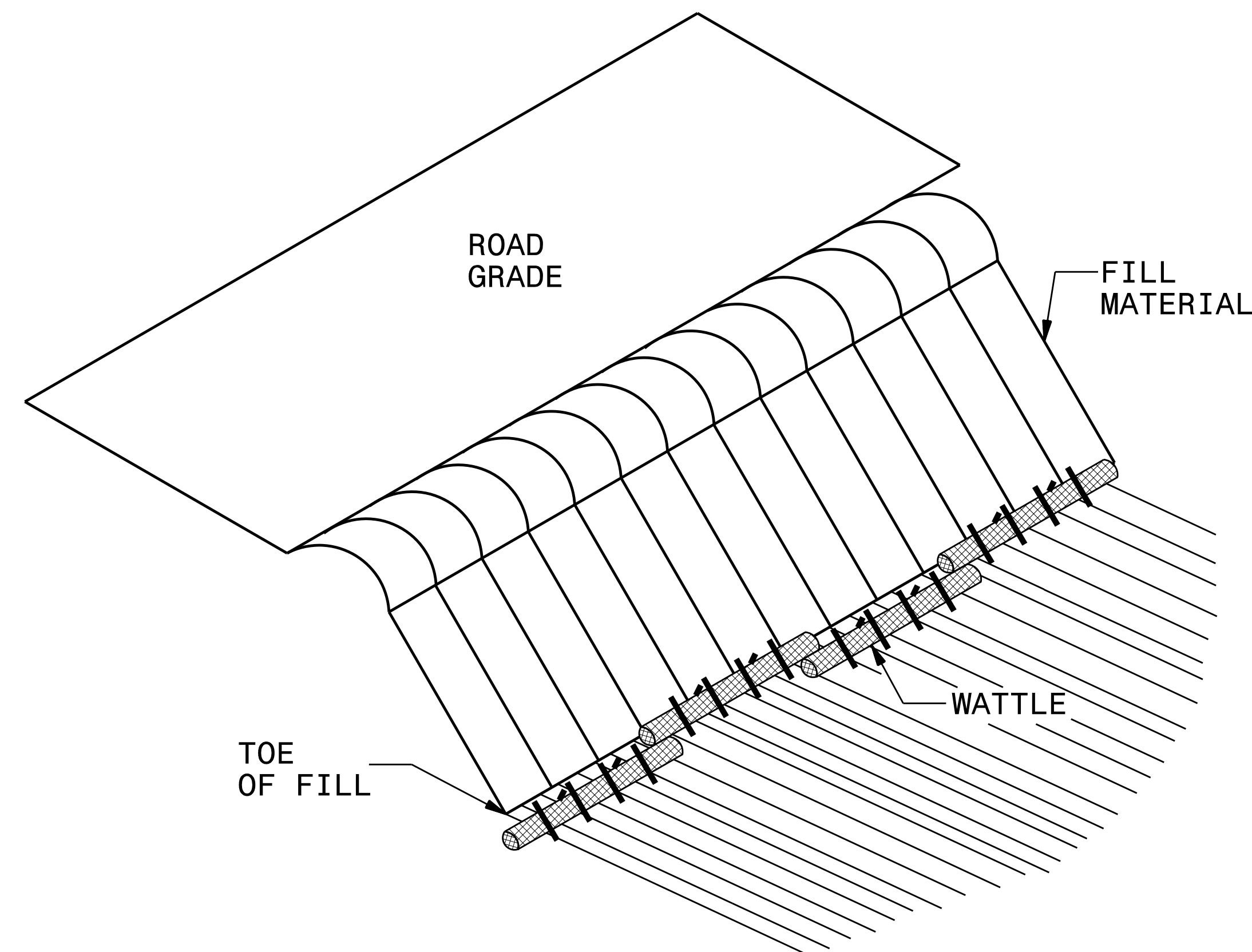




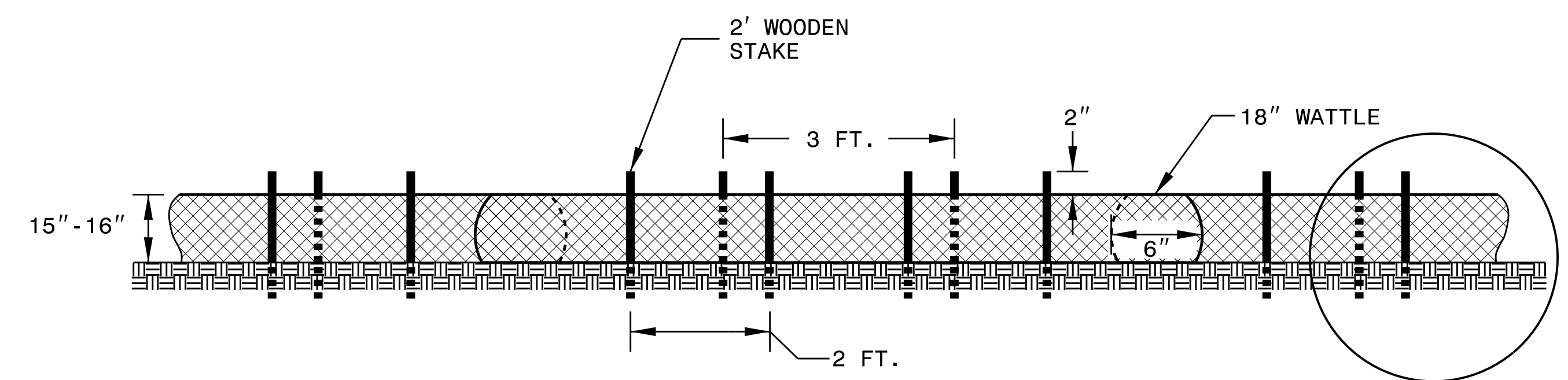
HDR Engineering, Inc. of the Carolinas  
555 Fayetteville St, Suite 900 Raleigh, N.C. 27601  
N.C.B.E.L.S. License Number: F-0116

PROJECT REFERENCE NO. <i>R-5726A</i>	SHEET NO. <i>EC-2B</i>
RW SHEET NO.	
ROADWAY DESIGN ENGINEER	HYDRAULICS ENGINEER

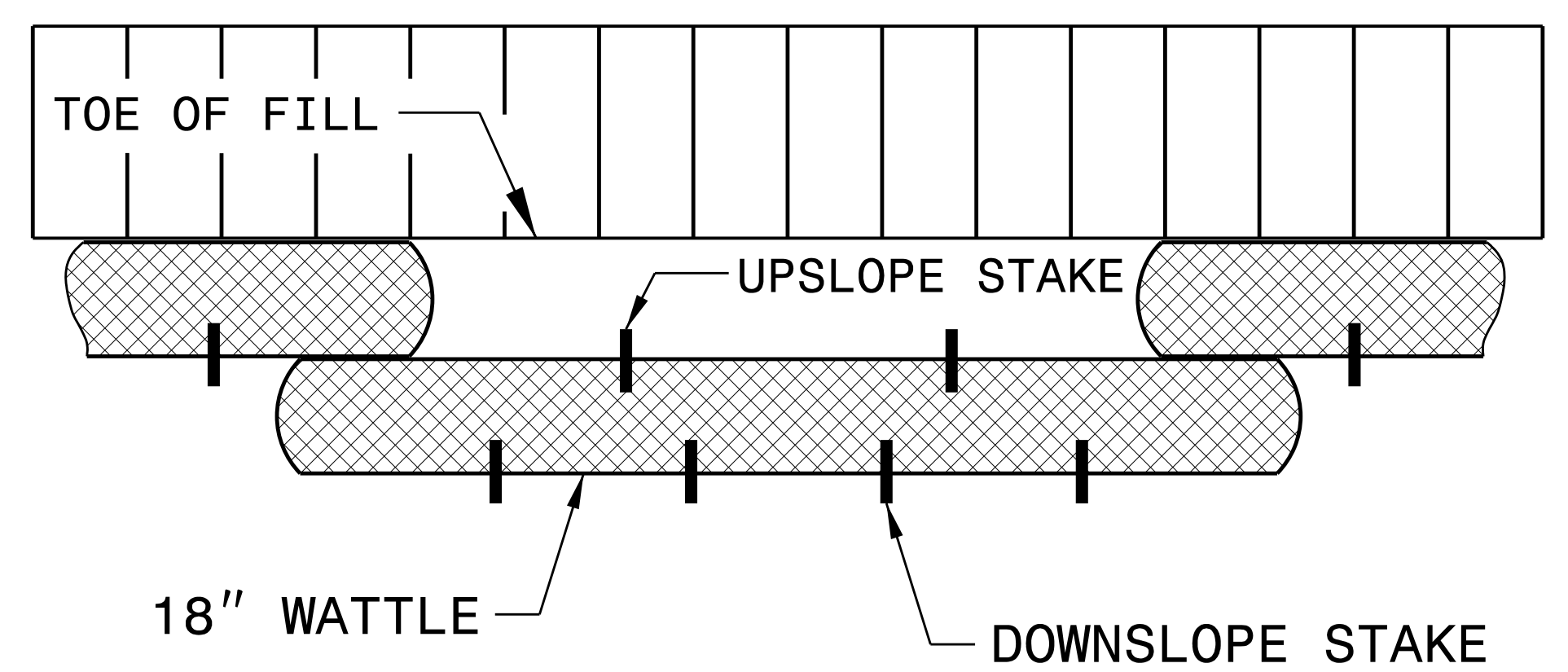
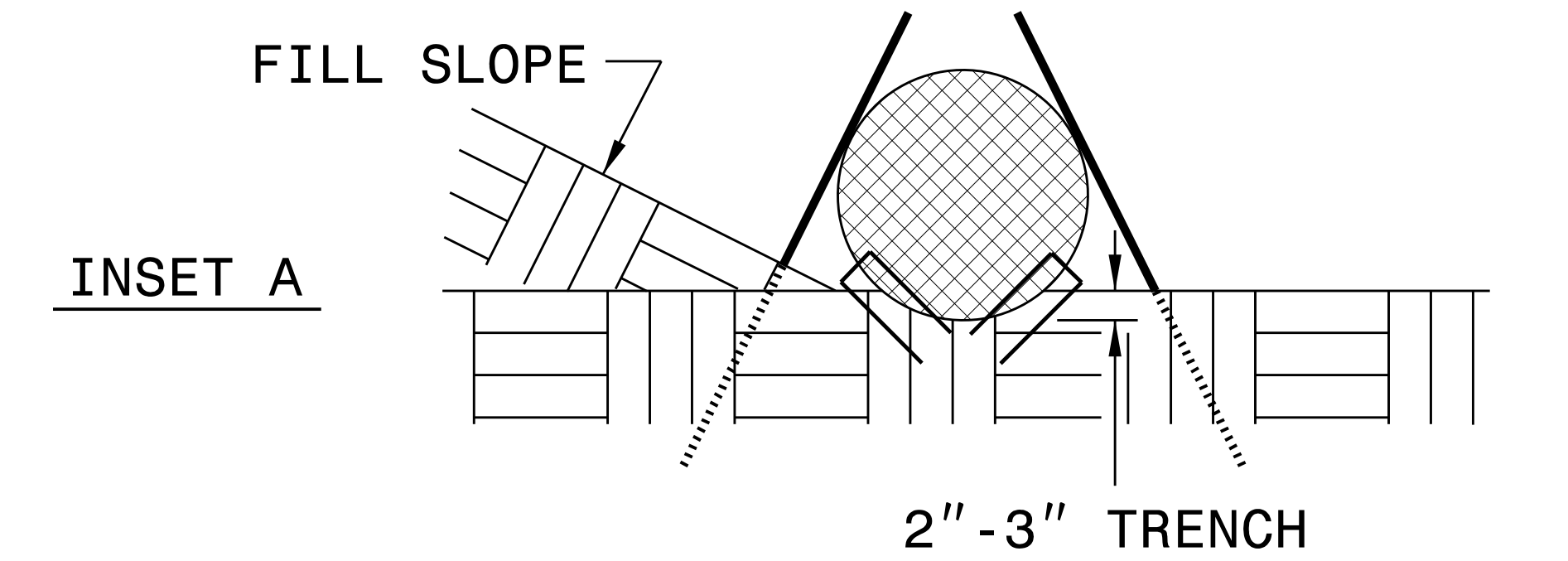
# WATTLE BARRIER DETAIL



**ISOMETRIC VIEW**



**FRONT VIEW**



**TOP VIEW**

**NOTES:**

- USE MINIMUM 18 IN. NOMINAL DIAMETER EXCELSIOR WATTLE AND LENGTH OF 10 FT.
- EXCAVATE A 2 TO 3 INCH TRENCH FOR WATTLE TO BE PLACED.
- DO NOT PLACE WATTLES ON TOE OF SLOPE.
- USE 2 FT. WOODEN STAKES WITH A 2 IN. BY 2 IN. NOMINAL CROSS SECTION.
- INSTALL A MINIMUM OF 2 UPSLOPE STAKES AND 4 DOWNSLOPE STAKES AT AN ANGLE TO WEDGE WATTLE TO GROUND.
- PROVIDE STAPLES MADE OF 0.125 IN. DIAMETER STEEL WIRE FORMED INTO A U SHAPE NOT LESS THAN 12" IN LENGTH.
- INSTALL STAPLES APPROXIMATELY EVERY 1 LINEAR FOOT ON BOTH SIDES OF WATTLE AND AT EACH END TO SECURE IT TO THE SOIL.
- FOR BREAKS ALONG LARGE SLOPES, USE MAXIMUM SPACING OF 20 FT.

PLOT DRIVER: NCDOT\_pdf\_color\_eng\_50.pdf  
 USER: WYELVERT  
 FILE: Mott\_McDonald\_I.E.LLC\_-\_Fuquoy\_Vorino\_MMIE\_MST\_2016\_PD\_O\_NCDOT537\_VML\_E\_1759\_W01\_R5726\_NC211WID\_6.0\_CAD\_BIM\_6.2\_Work\_In\_Progress\_R-5726\_Erosion\_Control\_R5726\_EC\_DETAILS.dgn  
 PENTABLE: NCDOT\_EC\_C&G\_BW.tbl  
 TIME: 3:30:34 PM  
 DATE: 2/7/2022