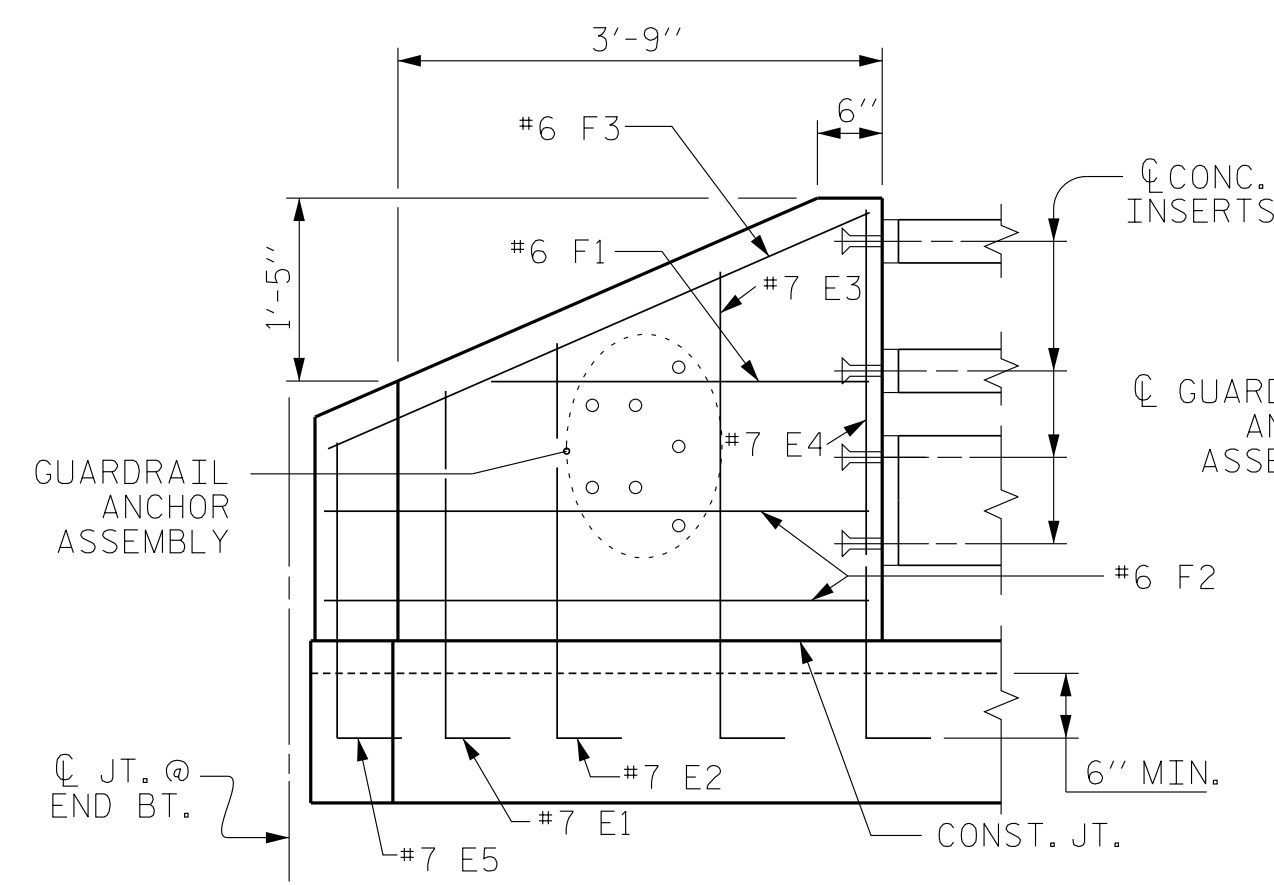
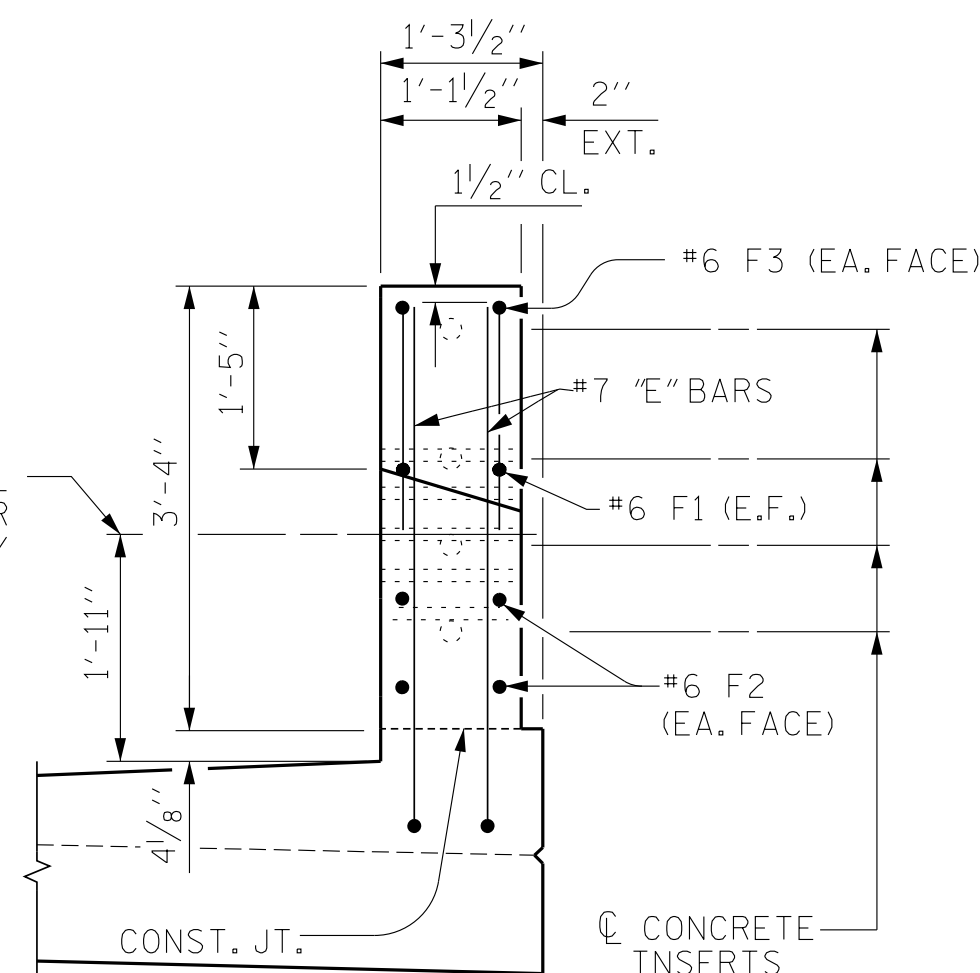


PLAN



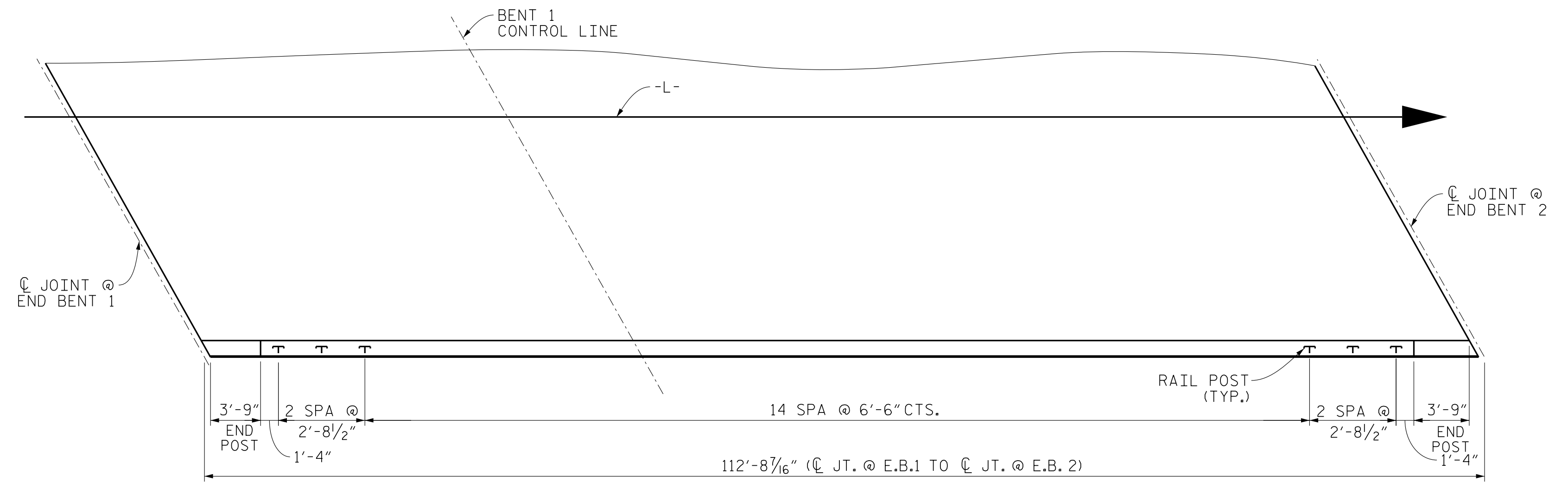
ELEVATION



END VIEW

### END POST FOR THREE BAR METAL RAIL DETAILS

FOR REINFORCEMENT AND CONCRETE TOTALS, SEE SUPERSTRUCTURE BILL OF MATERIAL



### PLAN OF RAIL POST SPACINGS

RIGHT SIDE SHOWN, LEFT SIDE SIMILAR

**V&M**  
Vaughn & Melton  
Consulting Engineers

Asheville, North Carolina  
828-253-2796

- Boone, NC 828-355-9933
- Tri-Cities, TN 423-467-8401
- Knoxville, TN 865-546-5800
- Spartanburg, SC 864-574-4775
- Charleston, SC 843-974-5660
- Middlesboro, KY 606-248-6600
- Raleigh, NC 919-977-9455
- Charlotte, NC 704-357-0488
- Atlanta, GA 770-627-3509

Copyright © 2006 Vaughn & Melton, Inc. All Rights Reserved

PROJECT NO. U-5738

ROWAN COUNTY

STATION: 70+72.50 -L-

SHEET 4 OF 4



12/13/2021

STATE OF NORTH CAROLINA  
DEPARTMENT OF TRANSPORTATION  
RALEIGH

SUPERSTRUCTURE  
3 BAR METAL RAIL

DOCUMENT NOT CONSIDERED  
FINAL UNLESS ALL  
SIGNATURES COMPLETED

DWN. BY: FRJ DATE: 11/18  
CHKD. BY: CDB DATE: 11/18  
DES. EGR. OF RECORD: CDB DATE: 11/18

REVISIONS						SHEET NO. S-21
NO.	BY:	DATE:	NO.	BY:	DATE:	
1			3			TOTAL SHEETS 39
2			4			