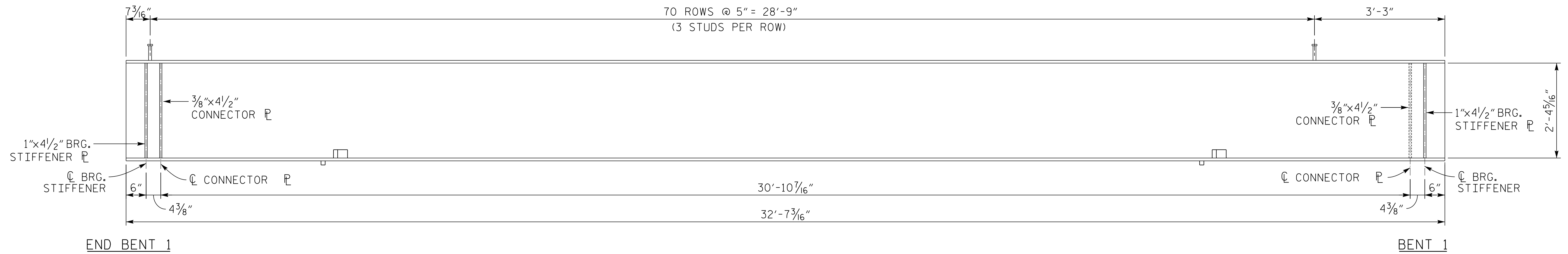
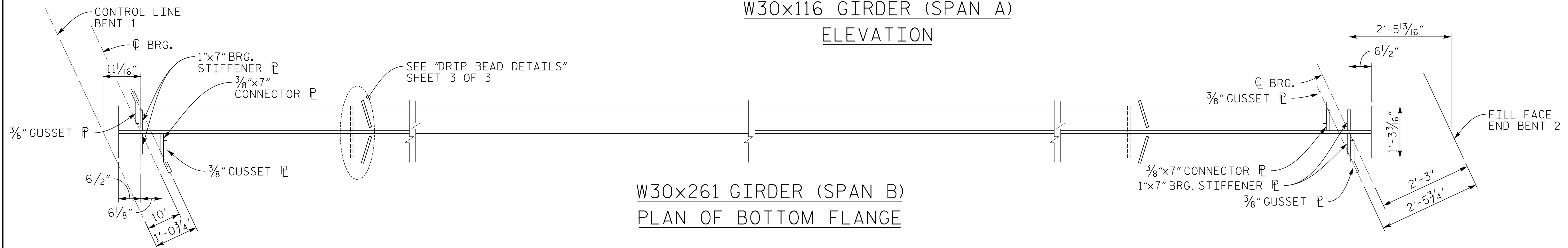


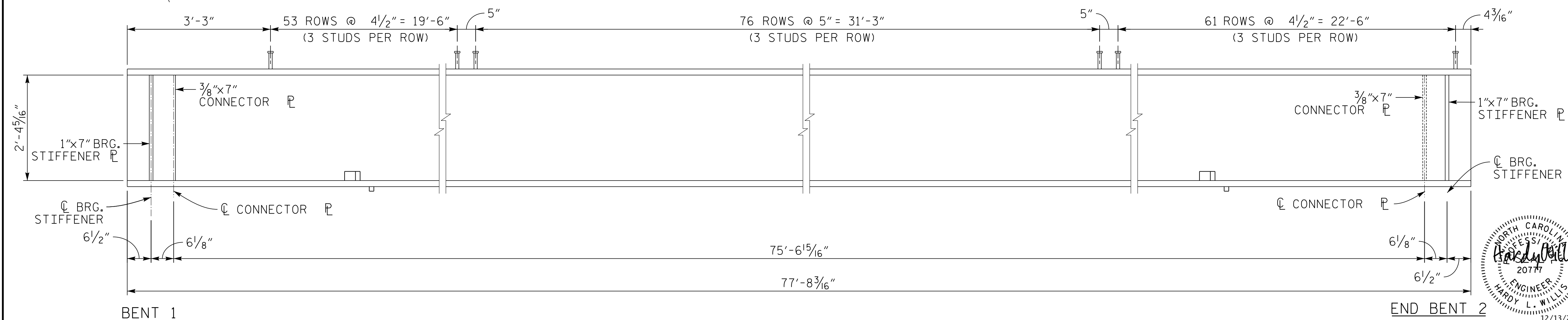
W30x116 GIRDER (SPAN A)
PLAN OF BOTTOM FLANGE



W30x116 GIRDER (SPAN A)
ELEVATION



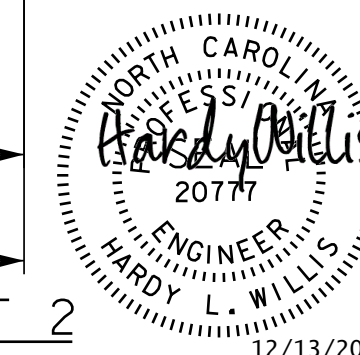
W30x261 GIRDER (SPAN B)
PLAN OF BOTTOM FLANGE



W30x261 GIRDER (SPAN B)
ELEVATION

PROJECT NO. U-5738
ROWAN COUNTY
STATION: 70+72.50 -L-
SHEET 1 OF 3

STATE OF NORTH CAROLINA
DEPARTMENT OF TRANSPORTATION
RALEIGH
SUPERSTRUCTURE
STRUCTURAL STEEL
DETAILS



DOCUMENT NOT CONSIDERED
FINAL UNLESS ALL
SIGNATURES COMPLETED

DWN. BY: FRJ DATE: 11/18
CHKD. BY: CDB DATE: 11/18
DES. EGR. OF RECORD: CDB DATE: 11/18

REVISIONS						SHEET NO. S-13
NO.	BY:	DATE:	NO.	BY:	DATE:	
1			3			TOTAL SHEETS 39
2			4			