

MFG _____	MFG. DATE: MM/YY _____
SHAFT D/T/L/Y _____	_____
ARM-A D/T/L/Y _____	_____
ARM-B D/T/L/Y _____	_____
A.B. DIA./B.C./L/Y _____	_____
NCDOT SIG. INV. NO. _____	_____
NCDOT POLE NO. _____	_____

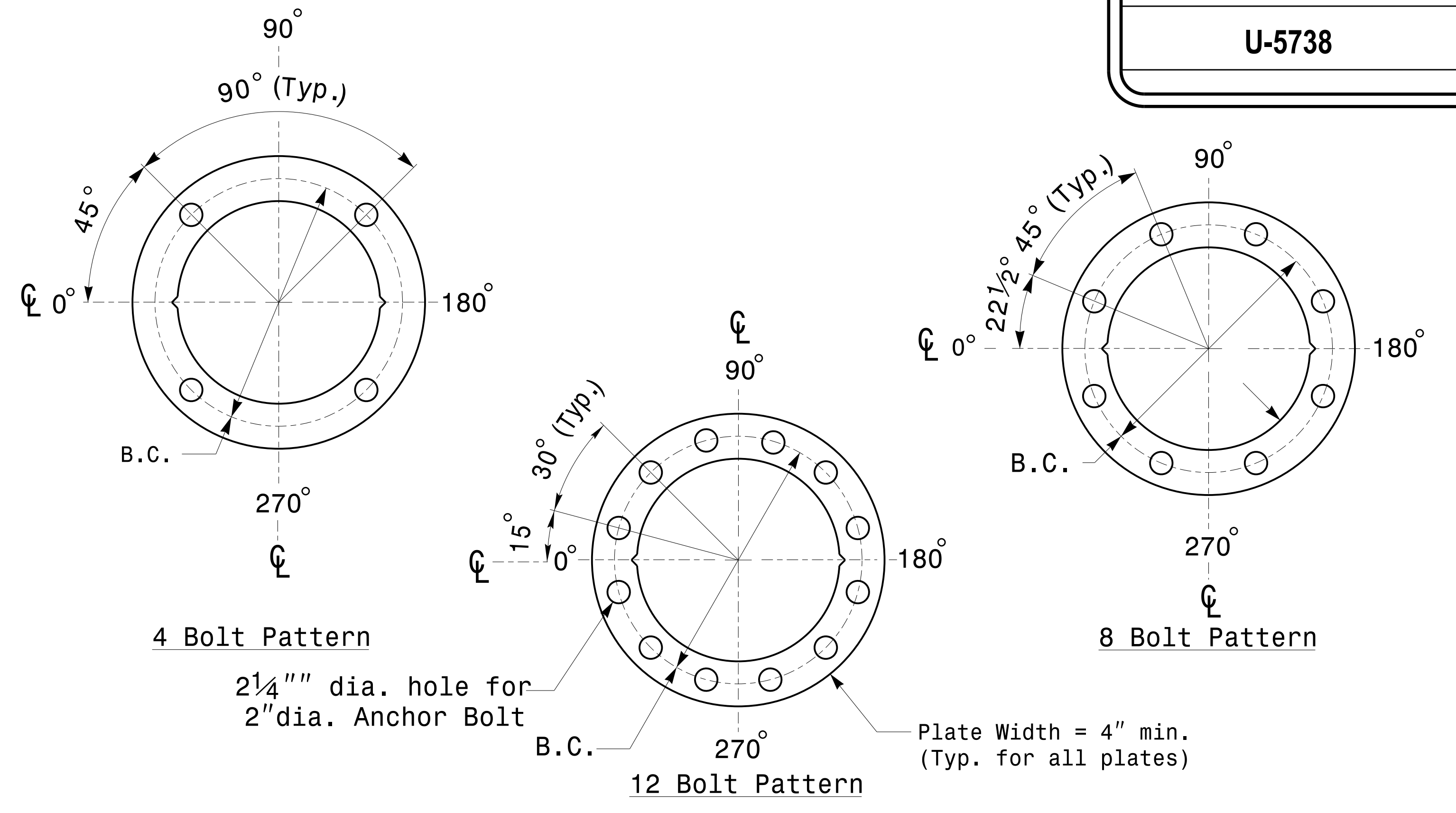
MFG _____	MFG. DATE:MM/YY _____
SECTION D/T/L/Y _____	_____
NCDOT SIG. INV. NO. _____	_____
NCDOT POLE NO. _____	_____

Shaft I.D. Tag
(Provide on Shaft of Strain Poles and Mast Arm Poles Shaft)

Arm I.D. Tag
(Provide on each section of a multi-section mast arm.)

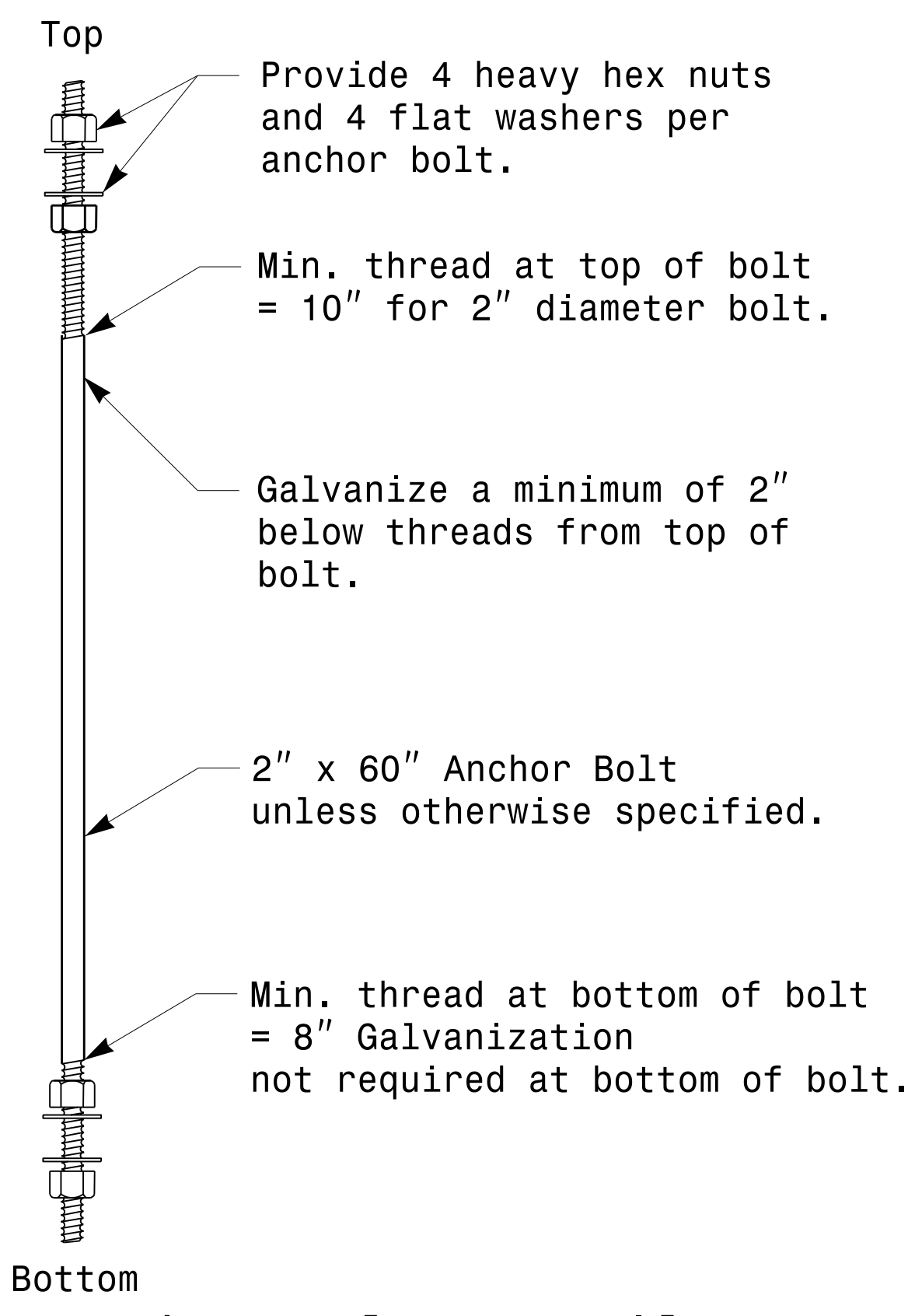
- Notes:
- 1) D= Diameter, T= Thickness, L= Length, Y= Yield Strength
 - 2) A.B. = Anchor Bolt
 - 3) B.C. = Bolt Circle of Anchor Bolts
 - 4) If Custom Design, use "NCDOT STANDARD" line for Signal Inv. Number and pole I.D. number
 - 5) See drawing M3 and M4 for mounting positions of I.D. tags.

Identification Tag Details

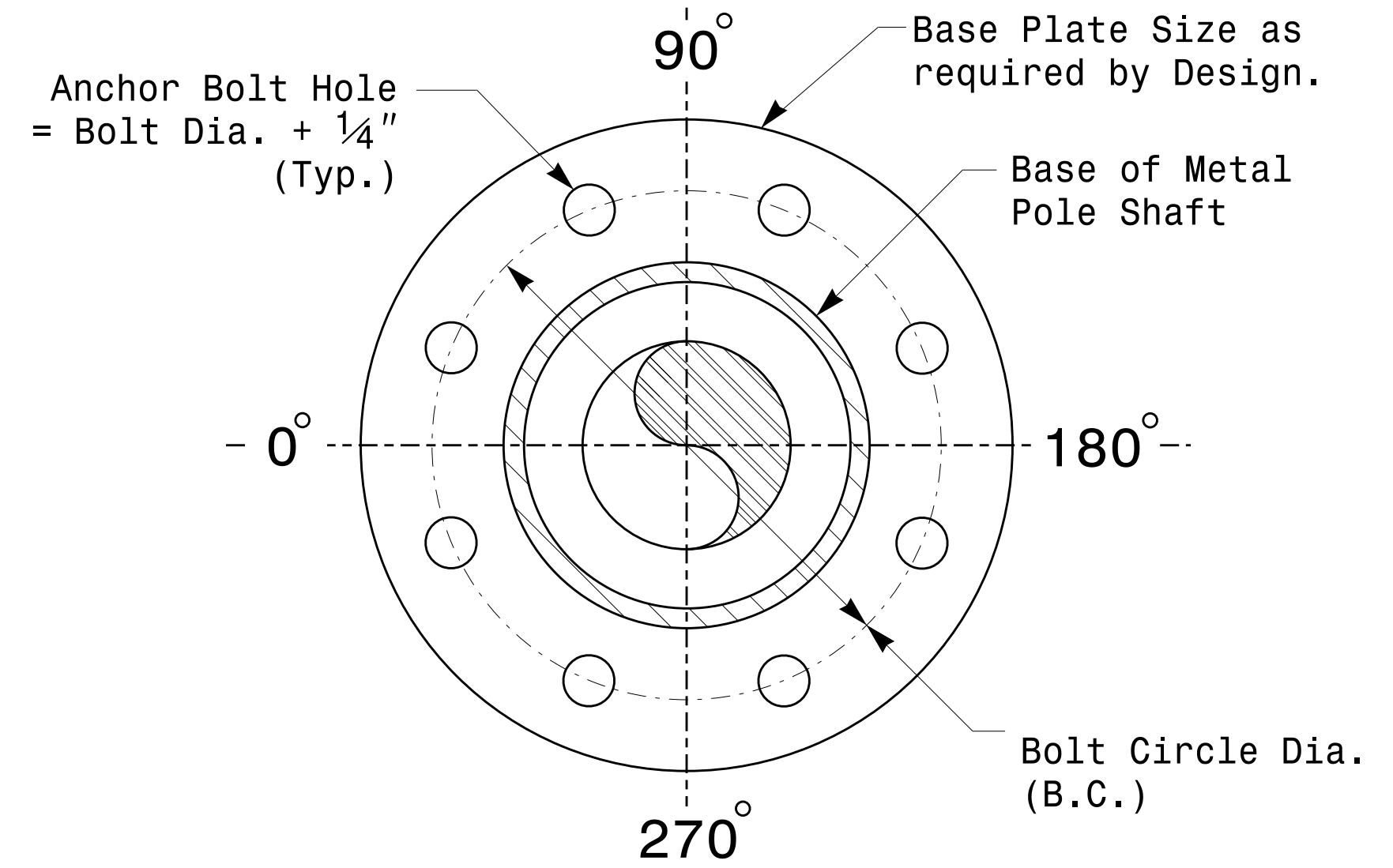


Construct Templates and Plates from 1/4" min. thick Steel. Galvanizing is not required.

Base Plate Template and Anchor Bolt Lock Plate Details



Anchor Bolt Detail



Typical Base Plate Detail

	Typical Fabrication Details For All Metal Poles	
	PLAN DATE: OCTOBER 2017 DESIGNED BY: C.F. ANDREWS	DESIGNED BY: C.F. ANDREWS
	PREPARED BY: N. BITTING REVIEWED BY: D.C. SARKAR	REVIEWED BY: D.C. SARKAR
SCALE: NONE	REVISIONS:	INITI: DATE:
DocuSign by: <i>Deshu C. Sarkar</i>		10/11/2017 DATE

11-01-2017 08:30 136504115 Signal&Sign Design Section Eastern RegionM Sheets20162014 Sig.M2 Std. Fabrication Detail-All Poles.dgn