

PLAN  
TOP OF CAP

NOTES

REPAIR LOCATIONS AND ESTIMATE OF QUANTITIES ARE GIVEN WITH THE BEST INFORMATION AVAILABLE. IF ADDITIONAL REPAIRS NOT SHOWN ON THE DRAWINGS ARE DEEMED NECESSARY BY THE INSPECTOR OR ENGINEER THE CONTRACTOR SHALL NOTE ON THE DRAWINGS THE APPROXIMATE LOCATION AND DESCRIPTION OF THE REPAIRS AND ADJUST THE ACTUAL QUANTITIES ENTERED INTO THE REPAIR QUANTITY TABLE.

CONTRACTOR SHALL REMOVE SURFACE CONCRETE TO VERIFY THAT SAWCUT DEPTH WILL NOT DAMAGE EXISTING REINFORCING STEEL.

SHOTCRETE REPAIRS MAY BE REPLACED WITH CONCRETE REPAIRS WITH THE APPROVAL OF THE ENGINEER.

FOR CONCRETE REPAIRS, SEE SPECIAL PROVISIONS.

FOR SHOTCRETE REPAIRS, SEE SPECIAL PROVISIONS.

FOR EPOXY RESIN INJECTION, SEE SPECIAL PROVISIONS.

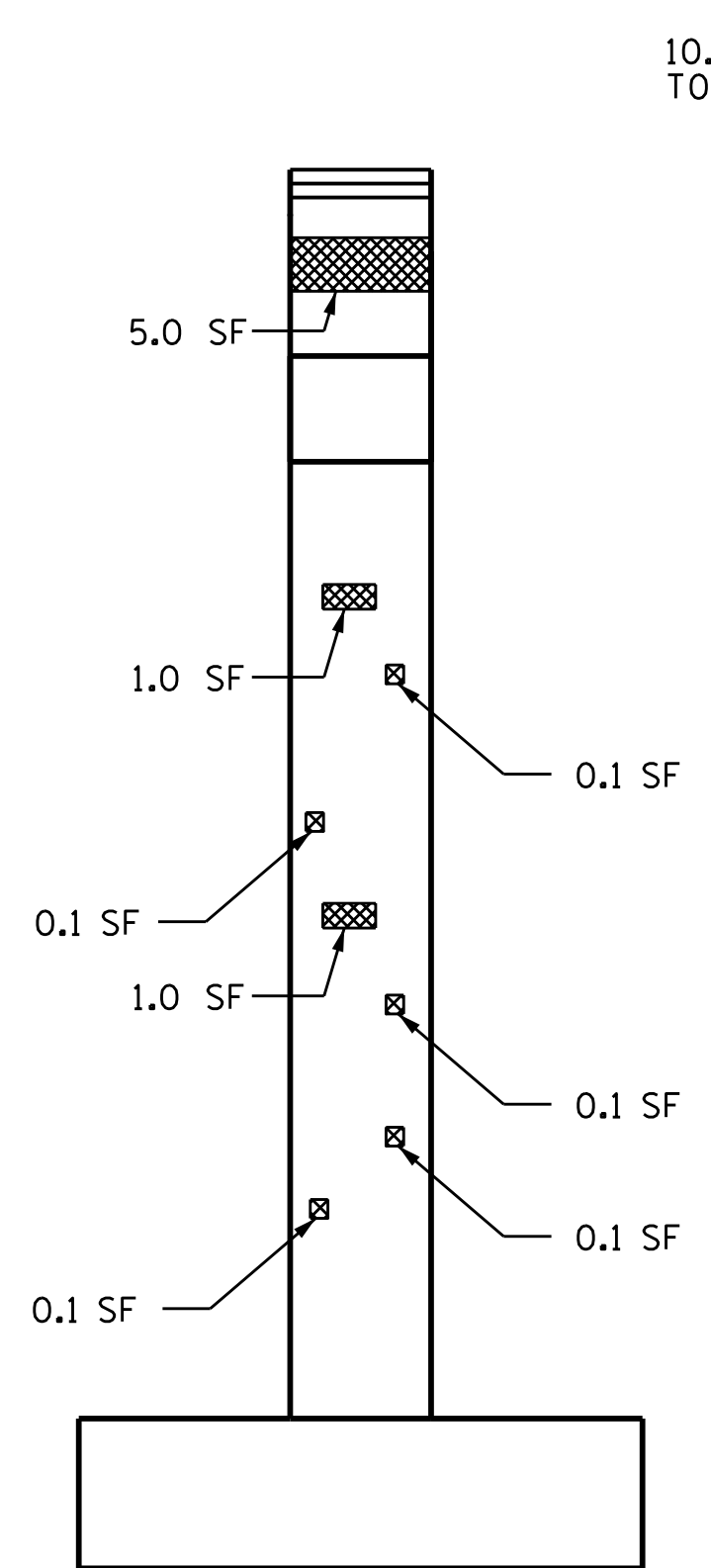
FOR REPAIR DETAILS, SEE TYPICAL CAP AND COLUMN REPAIR DETAILS SHEET.

FOR EPOXY COATING, SEE SPECIAL PROVISIONS.

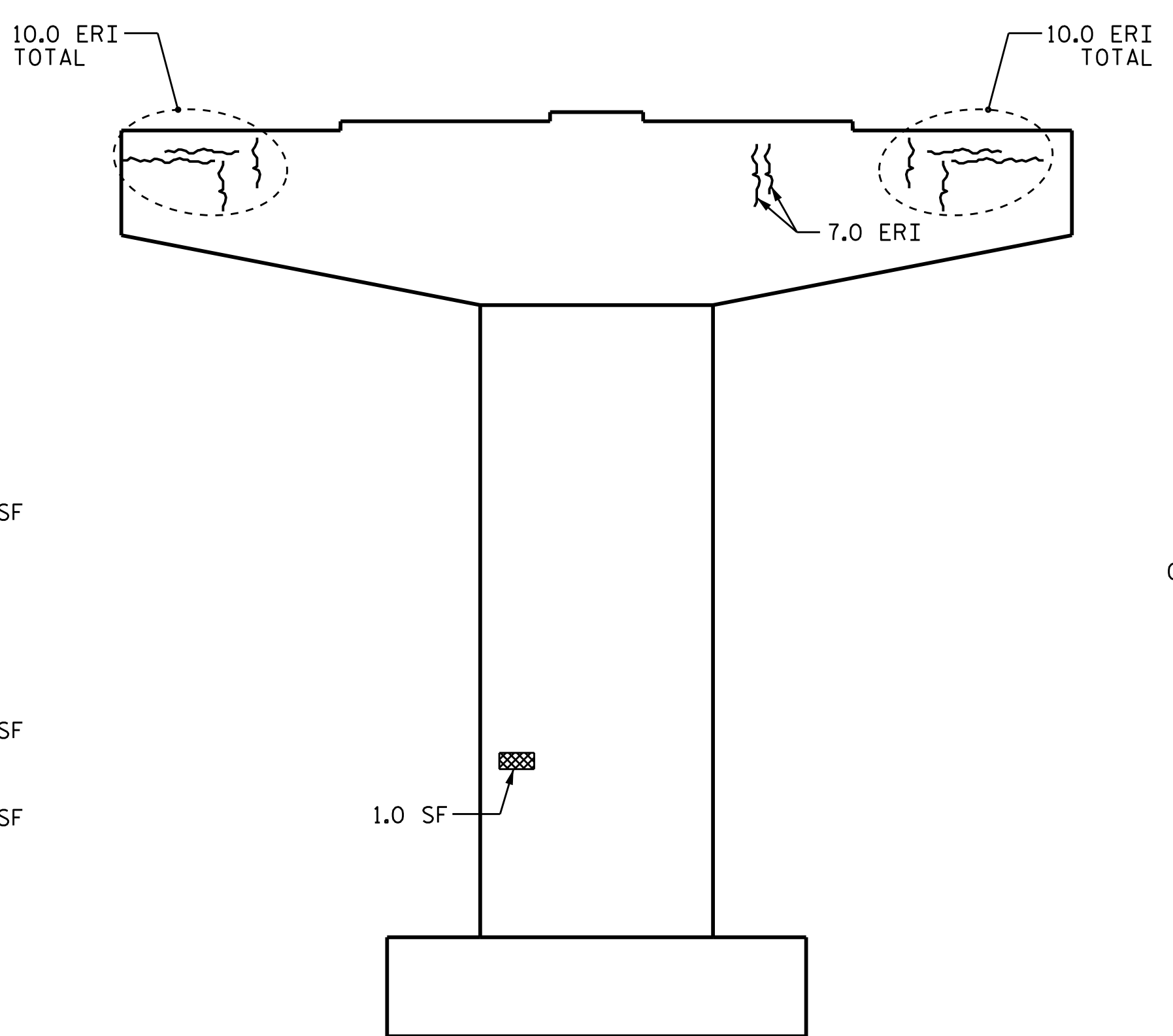
REPAIR QUANTITY TABLE

BENT 3	QUANTITIES			
	ESTIMATE		ACTUAL	
SHOTCRETE REPAIRS	AREA SF	VOLUME CF	AREA SF	VOLUME CF
CAP (VERTICAL FACE)	0.0	0.0		
CAP (HORIZONTAL FACE, CORNER)	50.0	25.0		
COLUMN	6.0	3.0		
CONCRETE REPAIRS	AREA SF	VOLUME CF	AREA SF	VOLUME CF
CAP (VERTICAL FACE)	0.0	0.0		
CAP (HORIZONTAL FACE, CORNER)	0.0	0.0		
COLUMN	0.0	0.0		
EPOXY RESIN INJECTION		LN. FT		LN. FT
CAP		53.0		
COLUMN		0.0		
EPOXY COATING		AREA SF		AREA SF
TOP OF CAP		164.0		

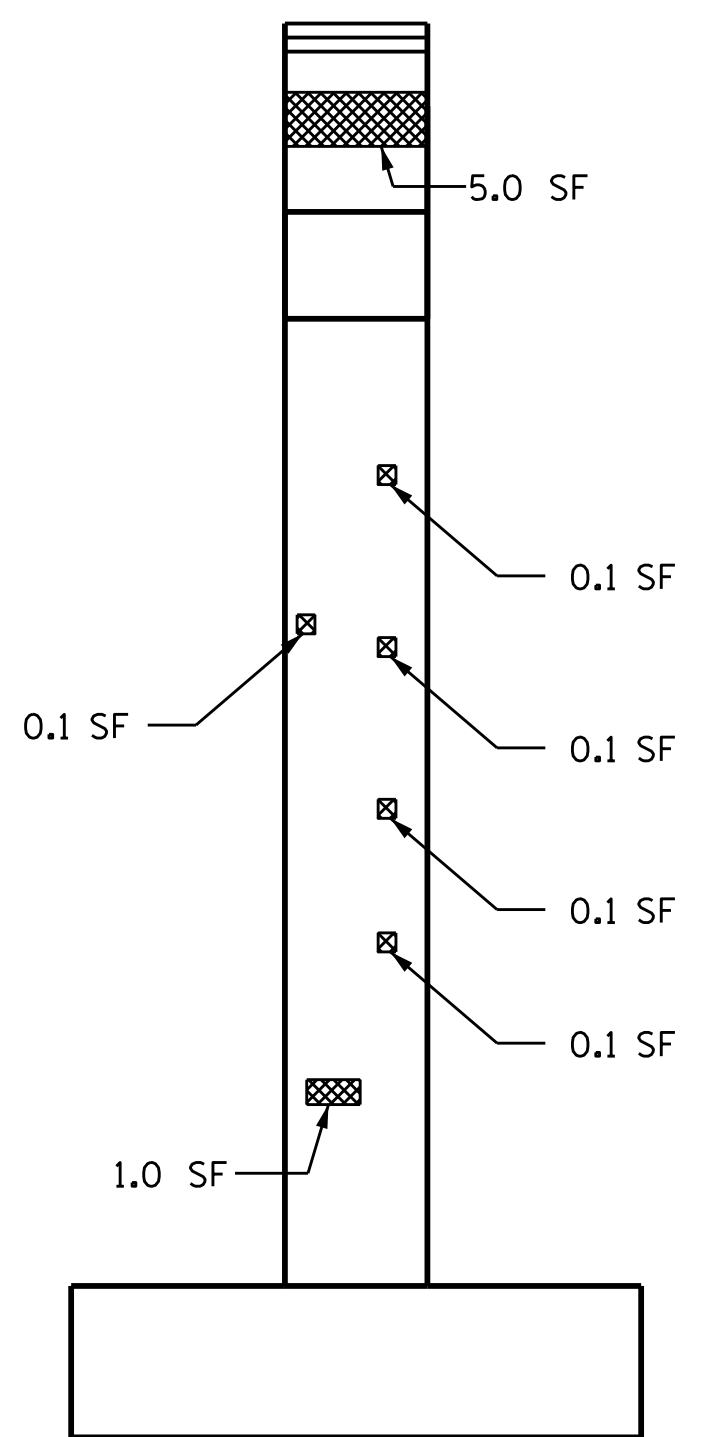
VALUES IN CHART REPRESENT ESTIMATED REPAIR TOTALS AFTER REMOVAL OF UNSOUND CONCRETE, MIN. OF 1" BEHIND REBAR AND MIN. 2" CL TO SAWCUT. SEE REPAIR DETAILS.



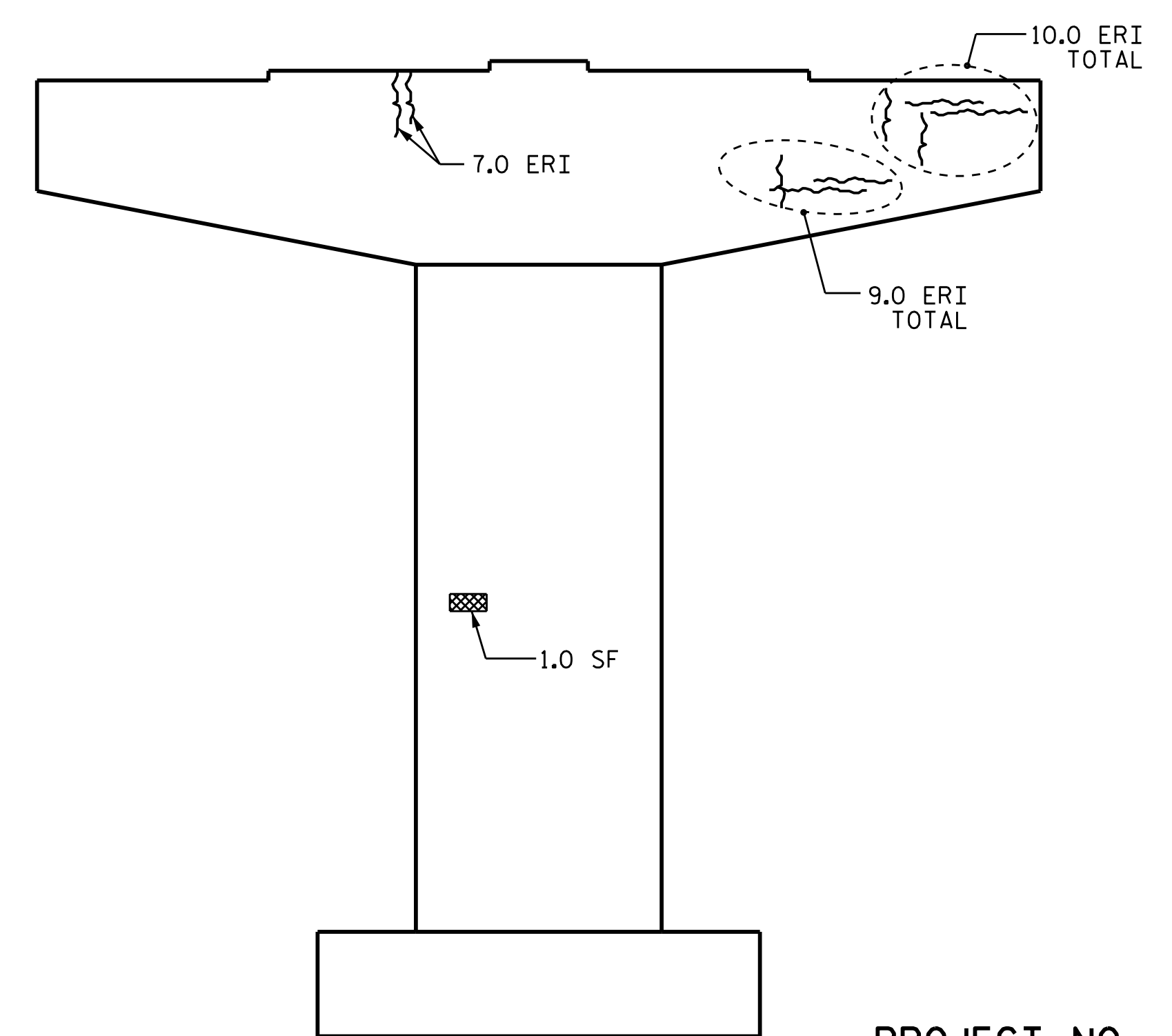
END VIEW  
LOOKING NORTH  
(SOUTH FACE)



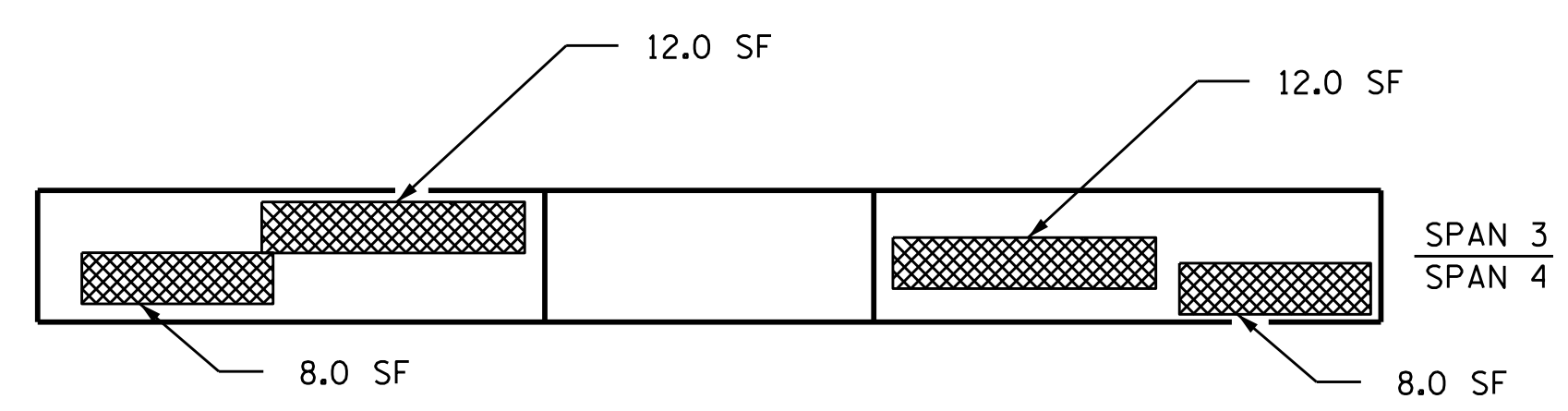
ELEVATION  
LOOKING EAST  
(WEST FACE)



END VIEW  
LOOKING SOUTH  
(NORTH FACE)



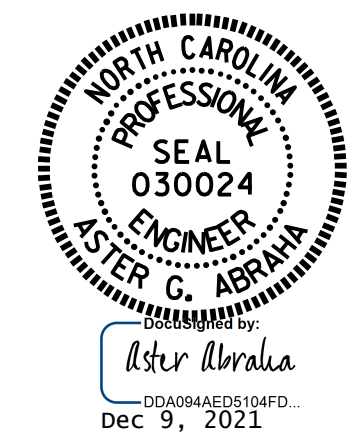
ELEVATION  
LOOKING WEST  
(EAST FACE)



PLAN  
BOTTOM OF CAP

- SHOTCRETE REPAIRS
- CONCRETE REPAIRS
- ERI EPOXY RESIN INJECTION

PROJECT NO. 15BPR.34  
HARNETT COUNTY  
 BRIDGE NO. 420052



STATE OF NORTH CAROLINA  
 DEPARTMENT OF TRANSPORTATION  
 RALEIGH

**SUBSTRUCTURE  
 REPAIR  
 BENT 3**

DRAWN BY : M.K. BEARD / S.T. SANDOR DATE : 11/2018  
 CHECKED BY : A.G. ABRAHA DATE : 12/2018

DOCUMENT NOT CONSIDERED  
 FINAL UNLESS ALL  
 SIGNATURES COMPLETED

REVISIONS						SHEET NO.
NO.	BY:	DATE:	NO.	BY:	DATE:	S3-5
1			3			TOTAL SHEETS
2			4			33