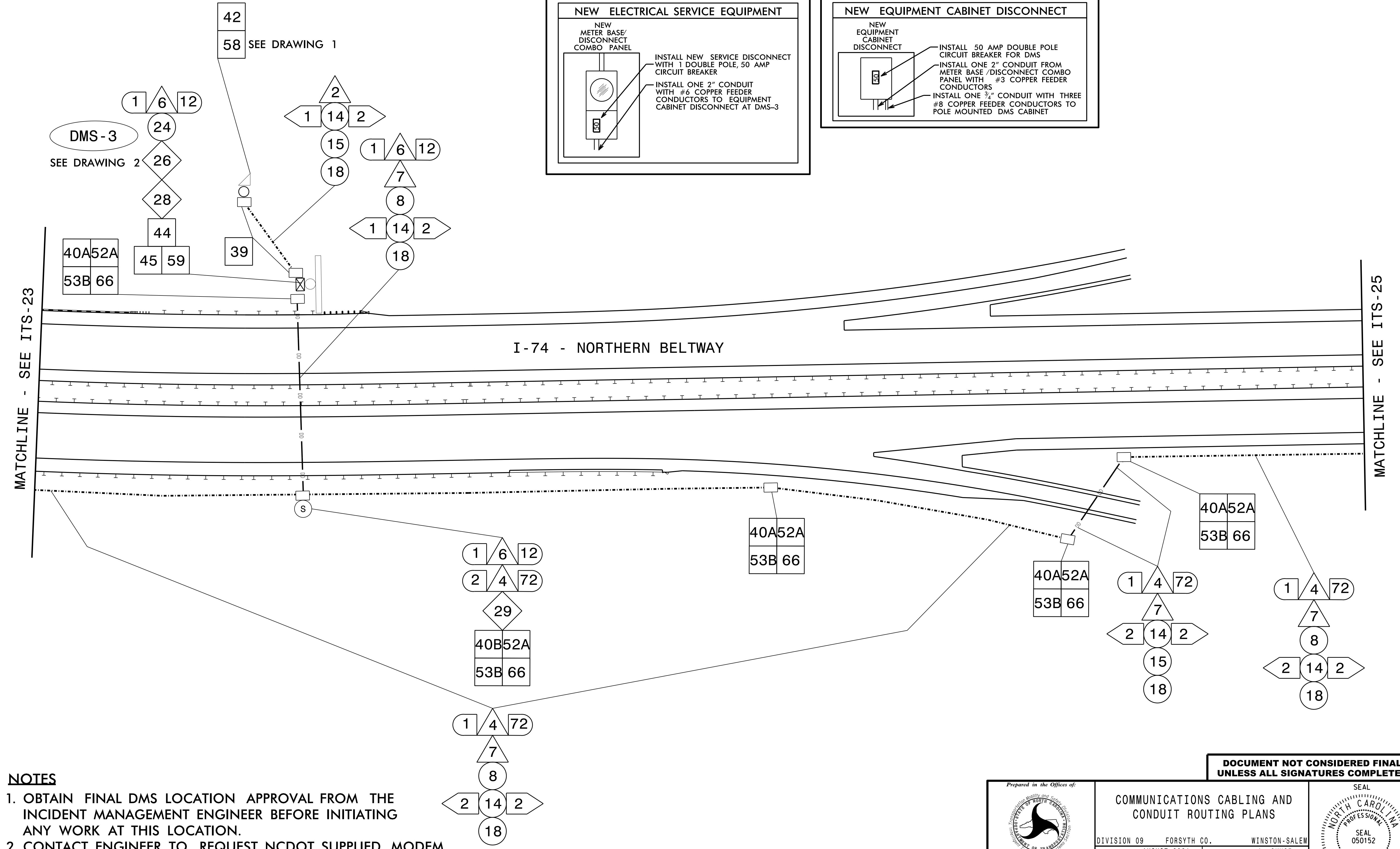
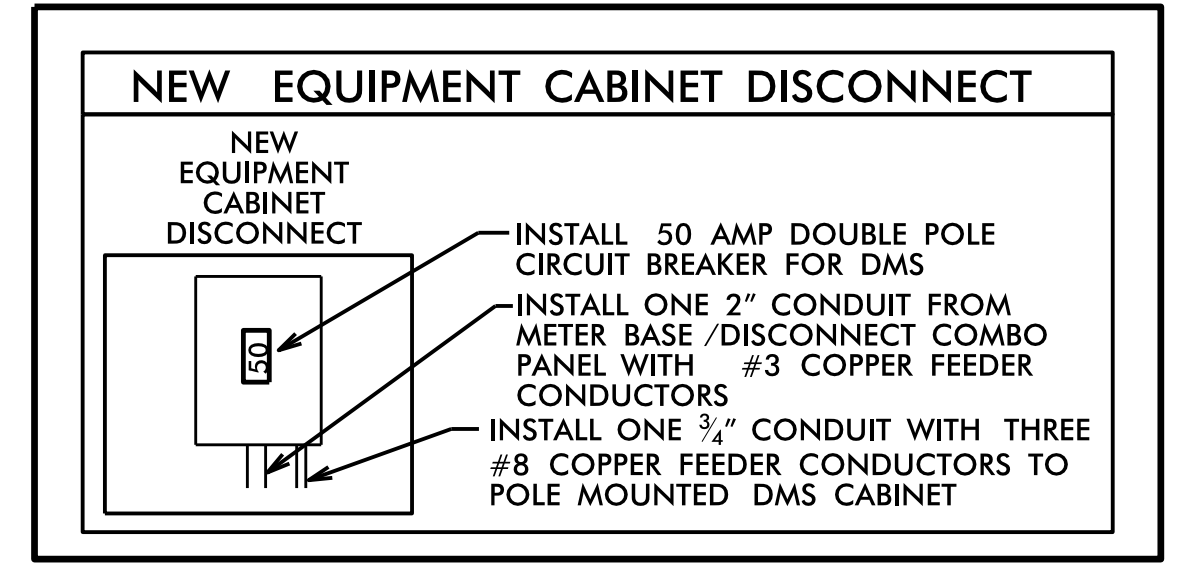
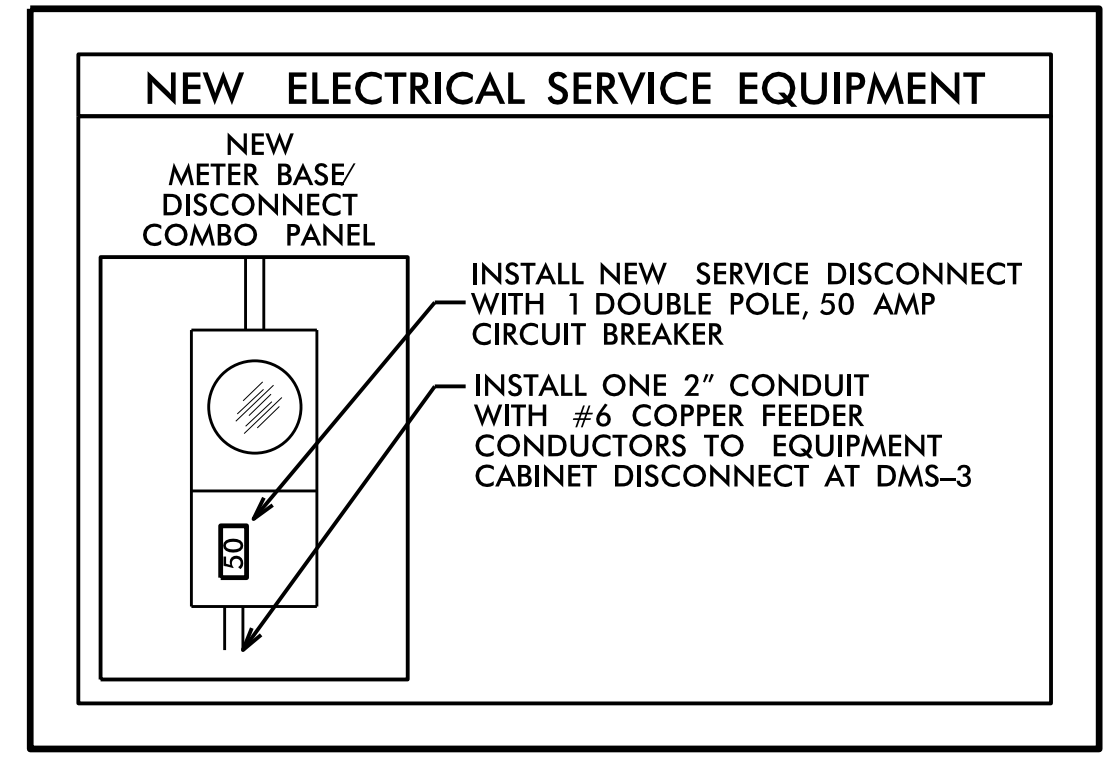


DRAWING 1

DRAWING 2



NOTES

- OBTAIN FINAL DMS LOCATION APPROVAL FROM THE INCIDENT MANAGEMENT ENGINEER BEFORE INITIATING ANY WORK AT THIS LOCATION.
- CONTACT ENGINEER TO REQUEST NCDOT SUPPLIED MODEM AT LEAST SIX WEEKS PRIOR TO INSTALLATION.

DOCUMENT NOT CONSIDERED FINAL UNLESS ALL SIGNATURES COMPLETED

	<p>COMMUNICATIONS CABLING AND CONDUIT ROUTING PLANS</p>		
	<p>DIVISION 09 FORSYTH CO. WINSTON-SALEM</p> <p>PLAN DATE: AUGUST 2021 REVIEWED BY: A. SKUCE</p> <p>PREPARED BY: B. CHRISTIAN REVIEWED BY:</p>	<p>REVISIONS</p> <p>INIT. DATE</p>	