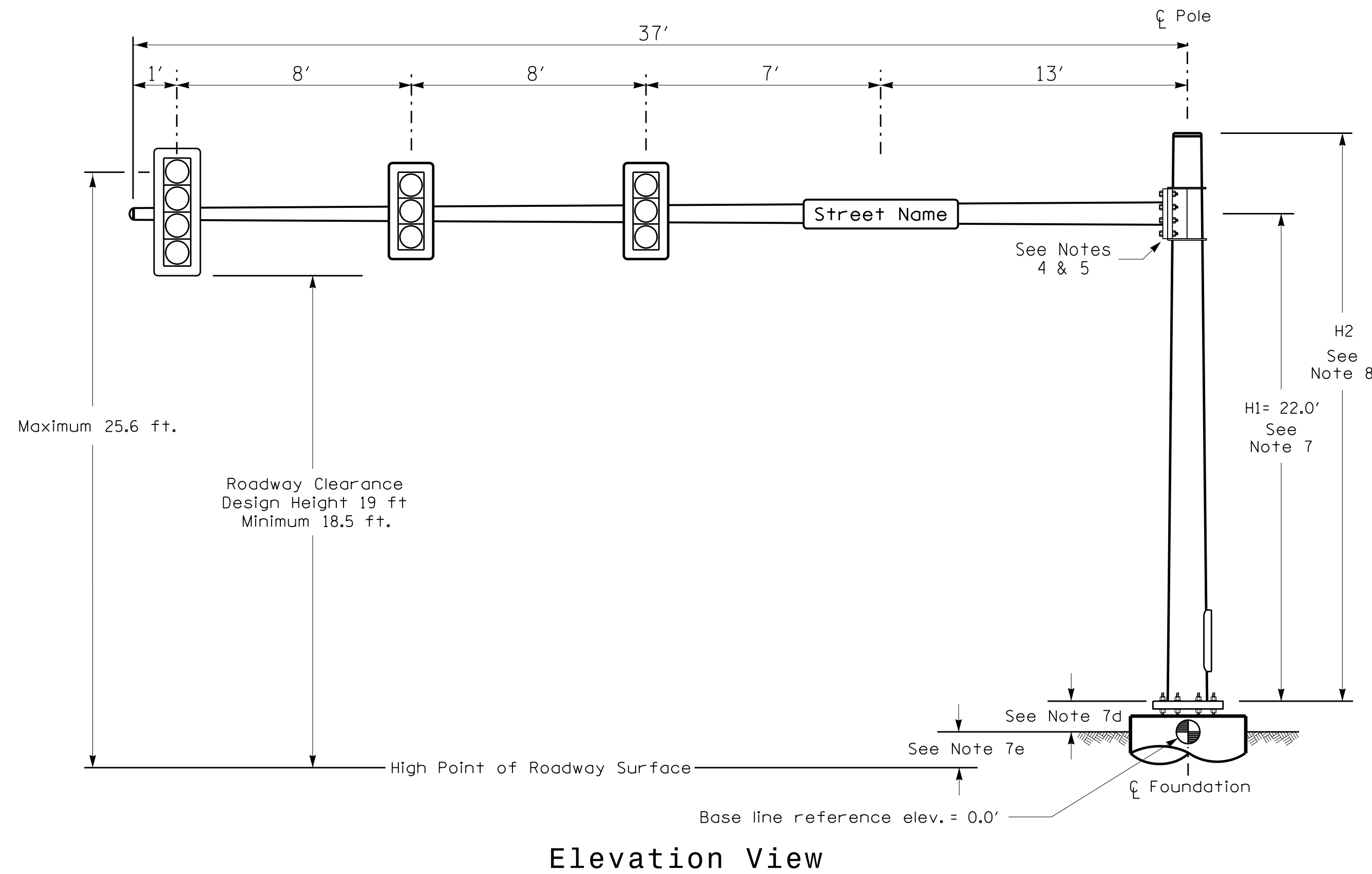


Design Loading for METAL POLE NO. 2



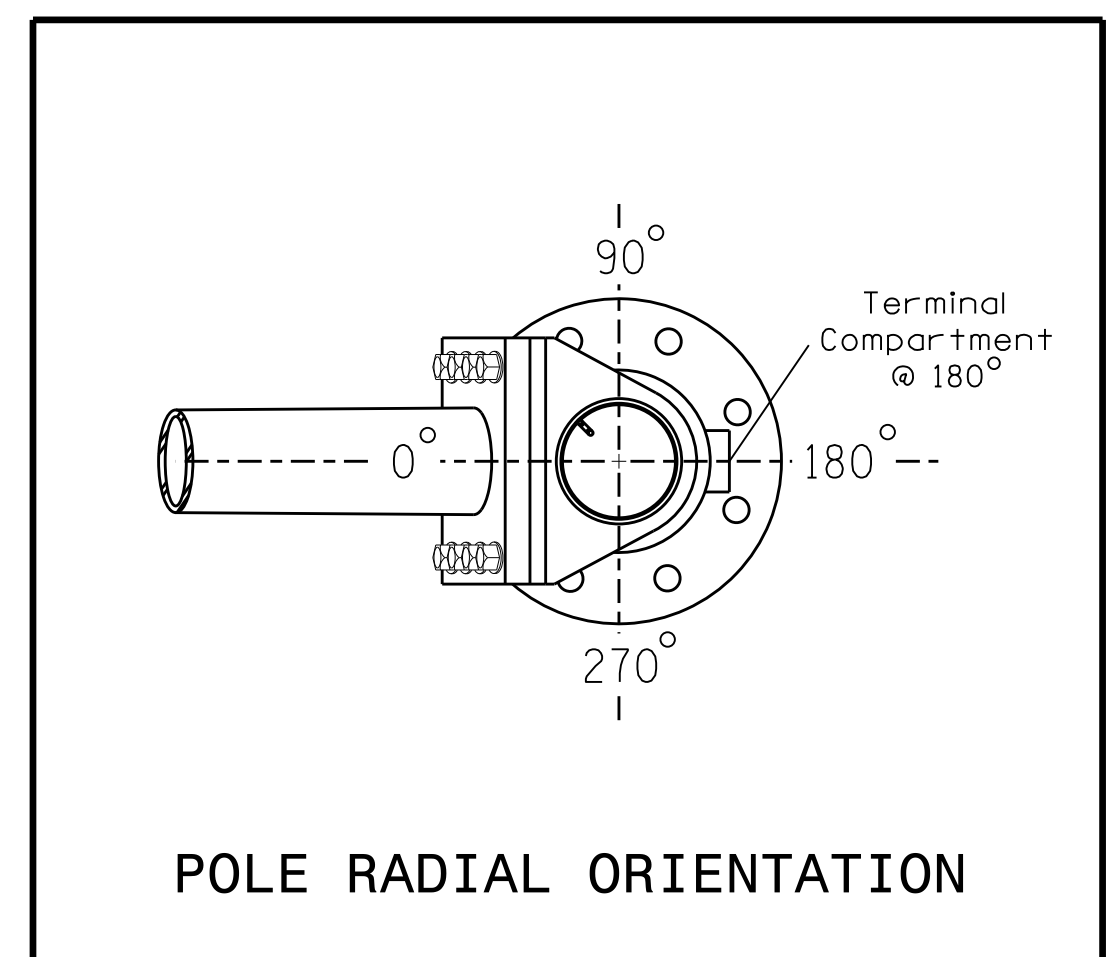
**SPECIAL NOTE**  
 The contractor is responsible for verifying that the mast arm attachment height (H1) will provide the "Design Height" clearance from the roadway before submitting final shop drawings for approval. Verify elevation data below which was obtained by field measurement or from available project survey data.

**Elevation Data for Mast Arm Attachment (H1)**

Elevation Differences for:	Pole 2	Pole 3
Baseline reference point at $\phi$ Foundation @ ground level	0.0 ft.	0.0 ft.
Elevation difference at High point of roadway surface	+0.63 ft.	+0.03 ft.
Elevation difference at Edge of travelway or face of curb	+/-0.0 ft.	+/-0.0 ft.

**MAST ARM LOADING SCHEDULE**

LOADING SYMBOL	DESCRIPTION	AREA	SIZE	WEIGHT
	RIGID MOUNTED SIGNAL HEAD 12"-4 SECTION-WITH BACKPLATE	11.5 S.F.	25.5" W X 66.0" L	74 LBS
	RIGID MOUNTED SIGNAL HEAD 12"-3 SECTION-WITH BACKPLATE	9.3 S.F.	25.5" W X 52.5" L	60 LBS
	RIGID MOUNTED SIGNAL HEAD 12"-5 SECTION-WITH BACKPLATE	16.3 S.F.	42.0" W X 56.0" L	103 LBS
	STREET NAME SIGN RIGID MOUNTED	16.0 S.F.	24.0" W X 96.0" L	36 LBS

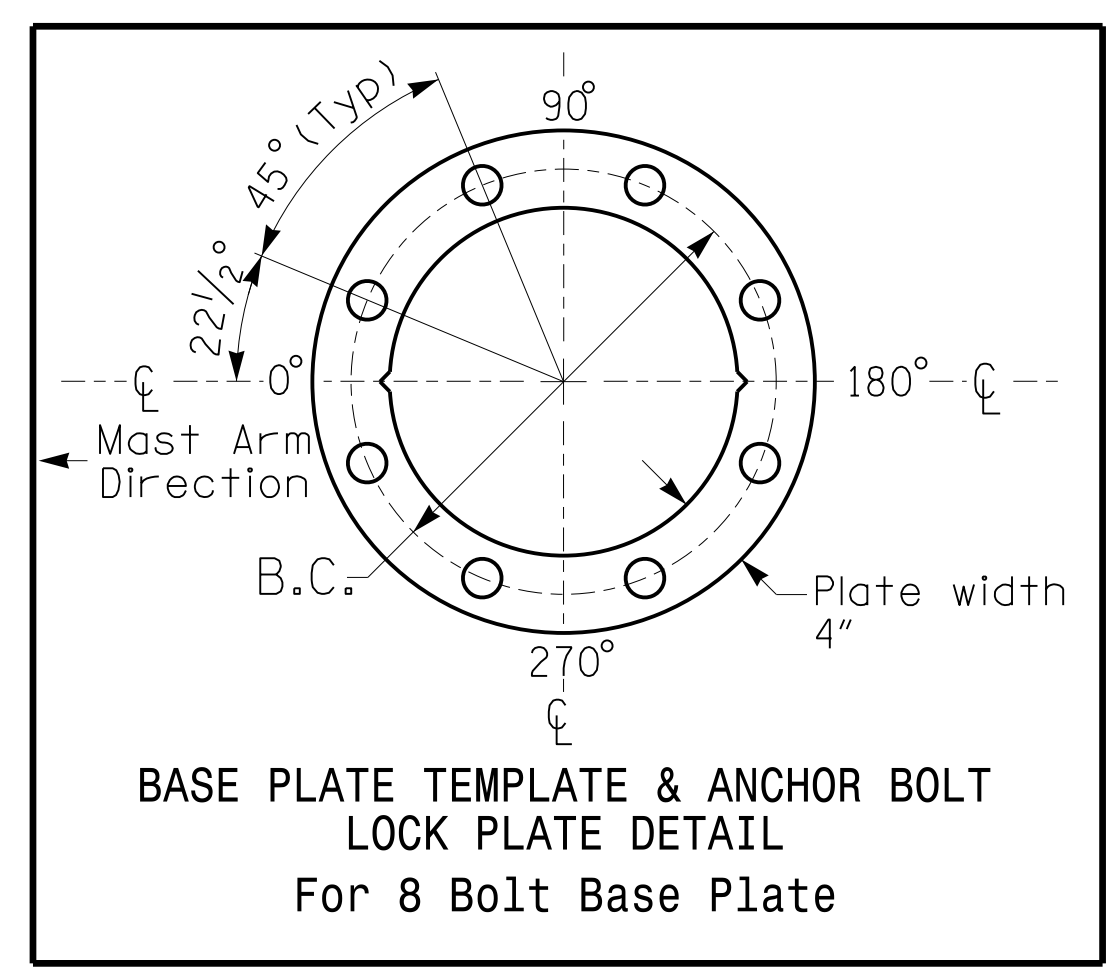
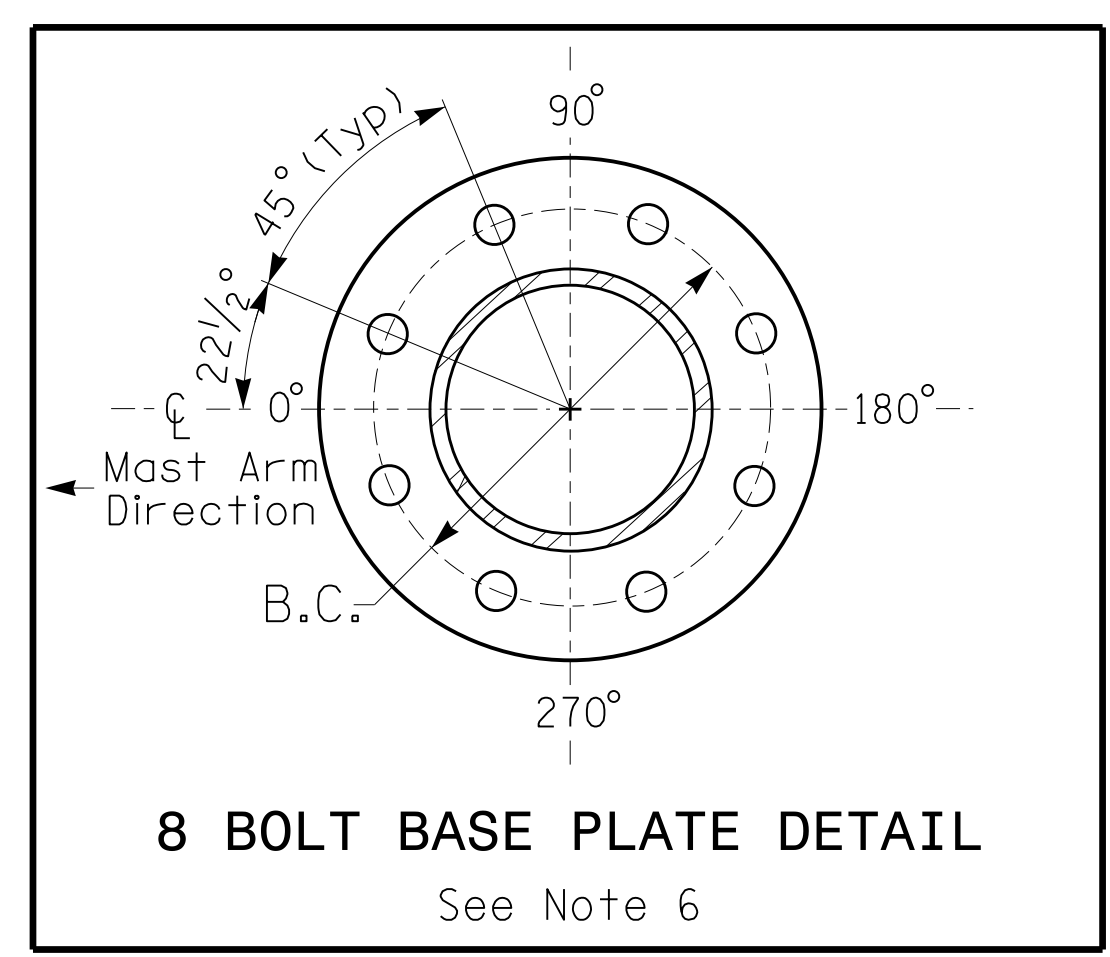
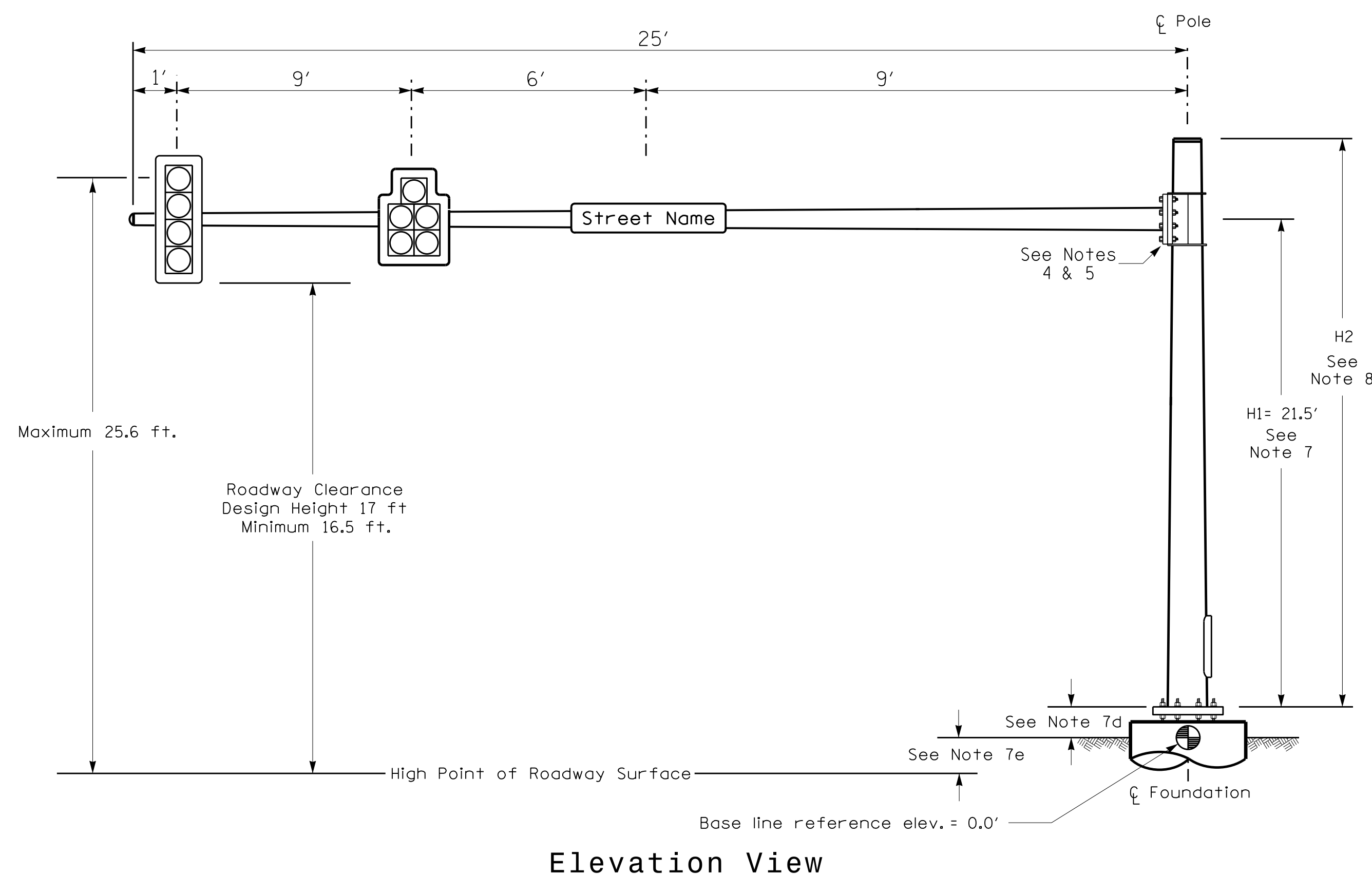


**NOTES**

- DESIGN REFERENCE MATERIAL**
- Design the traffic signal structure and foundation in accordance with:
    - The 6th Edition 2013 AASHTO "Standard Specifications for Structural Supports for Highway Signs, Luminaires, and Traffic Signals, including all of the latest interim revisions.
    - The 2018 NCDOT "Standard Specifications for Roads and Structures." The latest addenda to the specifications can be found in the traffic signal project special provisions.
    - The 2018 NCDOT Roadway Standard Drawings.
    - The traffic signal project plans and special provisions.
    - The NCDOT "Metal Pole Standards" located at the following NCDOT website: <https://connect.ncdot.gov/resources/safety/Pages/ITS-Design-Resources.aspx>

- DESIGN REQUIREMENTS**
- Design the traffic signal structure using the loading conditions shown in the elevation views. These are anticipated worst case "design loads" and may not represent the actual loads that will be applied at the time of the installation. The contractor should refer to the traffic signal plans for the actual loads that will be applied at the time of the installation.
  - Design all signal supports using stress ratios that do not exceed 0.9.
  - The camber design for the mast arm deflection should provide an appearance of a low pitched arch where the tip or the free end of the mast arm does not deflect below horizontal when fully loaded.
  - A clamp-type bolted mast arm-to-pole connection may be used instead of the welded ring stiffened box connection shown as long as the connection meets all of the design requirements.
  - Design base plate with 8 anchor bolt holes. Provide 2 inch x 60 inch anchor bolts.
  - The mast arm attachment height (H1) shown is based on the following design assumptions:
    - Mast arm slope and deflection are not considered in determining the arm attachment height as they are assumed to offset each other.
    - Signal heads are rigidly mounted and vertically centered on the mast arm.
    - The roadway clearance height for design is as shown in the elevation views.
    - The top of the pole base plate is 0.75 feet above the ground elevation.
    - Refer to the Elevation Data Chart for the elevation differences between the proposed foundation ground level and the high point of the roadway.
  - The pole manufacturer will determine the total height (H2) of each pole using the greater of the following:
    - Mast arm attachment height (H1) plus 2 feet, or
    - H1 plus 1/2 of the total height of the mast arm attachment assembly plus 1 foot.
  - If pole location adjustments are required, the contractor must gain approval from the Engineer as this may affect the mast arm lengths and arm attachment heights. The contractor may contact the Signal Design Section Senior Structural Engineer for assistance at (919) 814-5000.
  - The contractor is responsible for verifying that the mast arm length shown will allow proper positioning of the signal heads over the roadway.
  - The contractor is responsible for providing soil penetration testing data (SPT) to the pole manufacturer so site specific foundations can be designed.

Design Loading for METAL POLE NO. 3



NCDOT Wind Zone 1 (140 mph)

	SR 1217 (Ocean Bay Boulevard) at Veterans Drive		
	Division 1	Dare County	
PLAN DATE: May 2019		REVIEWED BY: ZML	
PREPARED BY: Jeff Spence		REVIEWED BY:	
SCALE: 0 N/A		REVISIONS:	
DATE:		DATE:	
750 N. Greenfield Pkwy, Garner, NC 27529		3/18/2021	
SIG. INVENTORY NO. 01-0526		SEAL	

18-MAR-2021 15:15  
 X:\IT\Projects\2019\05\SR1217\Signal\04-0526\Mast Arm.dgn  
 meblanc