

9/21/2021 8:41 AM User: C:\CONRAD\ADAM

TIP PROJECT: B-5642

STATE OF NORTH CAROLINA DEPARTMENT OF TRANSPORTATION

PAVEMENT MARKING PLAN BRUNSWICK COUNTY

LOCATION: NC 87 (MACO ROAD) OVER BATARORA BRANCH

TIP NO. B-5642	SHEET NO. PMP-1
<small>DocuSigned by:</small> APPROVED: _____ <small>-----DOCSIGNATURE-----</small>	
DATE: 9/21/2021	
DOCUMENT NOT CONSIDERED FINAL UNLESS ALL SIGNATURES COMPLETED	

ROADWAY STANDARD DRAWING

THE FOLLOWING ROADWAY STANDARDS AS APPEAR IN "ROADWAY STANDARD DRAWINGS" - PROJECT SERVICES UNIT - N.C. DEPARTMENT OF TRANSPORTATION - RALEIGH, N.C., DATED JANUARY 2018 ARE APPLICABLE TO THIS PROJECT AND BY REFERENCE HEREBY ARE CONSIDERED A PART OF THESE PLANS:

STD. NO.	TITLE
1205.01	PAVEMENT MARKINGS - LINE TYPES AND OFFSETS
1205.02	PAVEMENT MARKINGS - TWO-LANE AND MULTILANE ROADWAYS
1205.12	PAVEMENT MARKINGS - BRIDGES
1250.01	RAISED PAVEMENT MARKERS - INSTALLATION SPACING
1253.01	RAISED PAVEMENT MARKERS - SNOWPLOWABLE
1261.01	GUARDRAIL AND BARRIER DELINEATORS - INSTALLATION SPACING
1261.02	GUARDRAIL AND BARRIER DELINEATORS - TYPES AND MOUNTING
1262.01	GUARDRAIL END DELINEATION

GENERAL NOTES

THE FOLLOWING GENERAL NOTES APPLY AT ALL TIMES FOR THE DURATION OF THE CONSTRUCTION PROJECT, EXCEPT WHEN OTHERWISE NOTED IN THE PLAN, OR DIRECTED BY THE ENGINEER.

- A) INSTALL PAVEMENT MARKINGS AND PAVEMENT MARKERS ON THE FINAL SURFACE AS FOLLOWS:

ROAD NAME	MARKING	MARKER
NC 87 (MACO ROAD)	THERMOPLASTIC	SNOWPLOWABLE
- B) TIE PROPOSED PAVEMENT MARKING LINES TO EXISTING PAVEMENT MARKING LINES.
- C) REMOVE/REPLACE ANY CONFLICTING/DAMAGED PAVEMENT MARKINGS AND MARKERS.
- D) PASSING ZONES WILL BE DETERMINED IN THE FIELD AND MUST BE APPROVED BY THE ENGINEER.

SUMMARY OF QUANTITIES

ITEM NO.	ITEM DESCRIPTION	QUANTITY	UNIT
DESC. NO.	SECT. NO.		
4685000000-E	1205	3,400	L.F.
4895000000-N	SP	15	EA.
	THERMOPLASTIC PAVEMENT MARKING LINES (4", 90 MILS)		
	NON-CAST IRON SNOWPLOWABLE PAVEMENT MARKERS		

INDEX

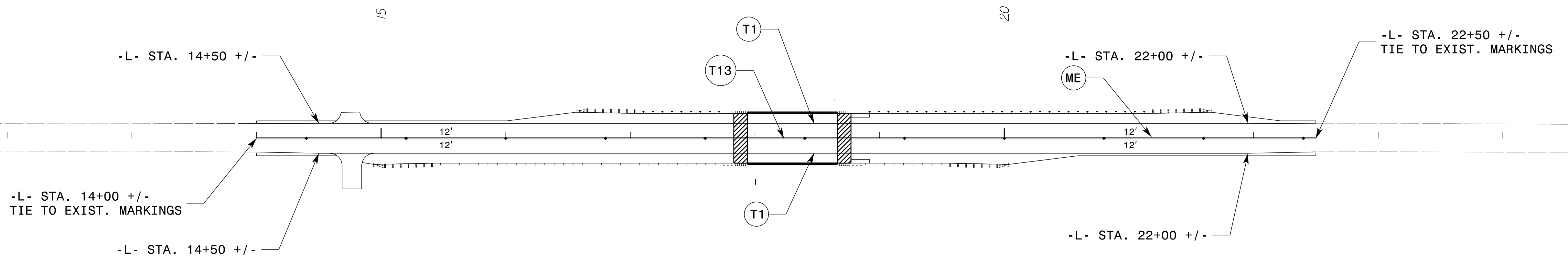
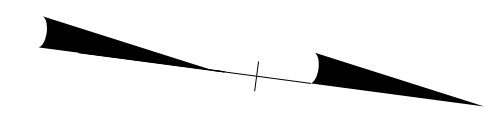
SHEET NO.	DESCRIPTION
PMP-1	PAVEMENT MARKING PLAN TITLE SHEET
PMP-2	PAVEMENT MARKING DETAIL

PLAN PREPARED BY: CDM SMITH, INC. ADAM M. CONRAD, P.E. PROJECT MANAGER MONIQUE N. GYANT, E.I. PROJECT DESIGN ENGINEER	 <small>CDM Smith Inc. 5400 Glenwood Avenue Suite 400 Raleigh, NC 27612-3228 NC COA No. F-1255</small>
---	---

PLAN REVIEWED BY: N.C.D.O.T. DIVISION 3 JESSI LEONARD, P.E. DIVISION TRAFFIC ENGINEER ANTHONY W. LAW DIVISION CONSTRUCTION ENGINEER	
---	--

TIP NO. B-5642	SHEET NO. PMP-2
APPROVED: <i>Adam M. Conrad, P.E., PMP</i>	
DATE: 4/6/2021	
DOCUMENT NOT CONSIDERED FINAL UNLESS ALL SIGNATURES COMPLETED	
CDM Smith CDM Smith Inc. 5400 Glenwood Avenue Suite 400 Raleigh, NC 27612-3228 NC COA No. F-1255	

PAVEMENT MARKING SCHEDULE	
SYMBOL	DESCRIPTION
	THERMO(4", 90 MILS)
T1	WHITE EDGELINE
T13	YELLOW DOUBLE CENTER
	SNOWPLOWABLE PAVEMENT MARKERS
ME	YELLOW & YELLOW



2/3/2021
 p.w.bentley.com:PW_FLI\Documents\117240\235077\10 Transportation\04 Client Folder Structure\B-5642_Traffic\Signing\CADD\B5642_TMP_PMP02.dgn
 User:GANTRN

PAVEMENT MARKING DETAIL