


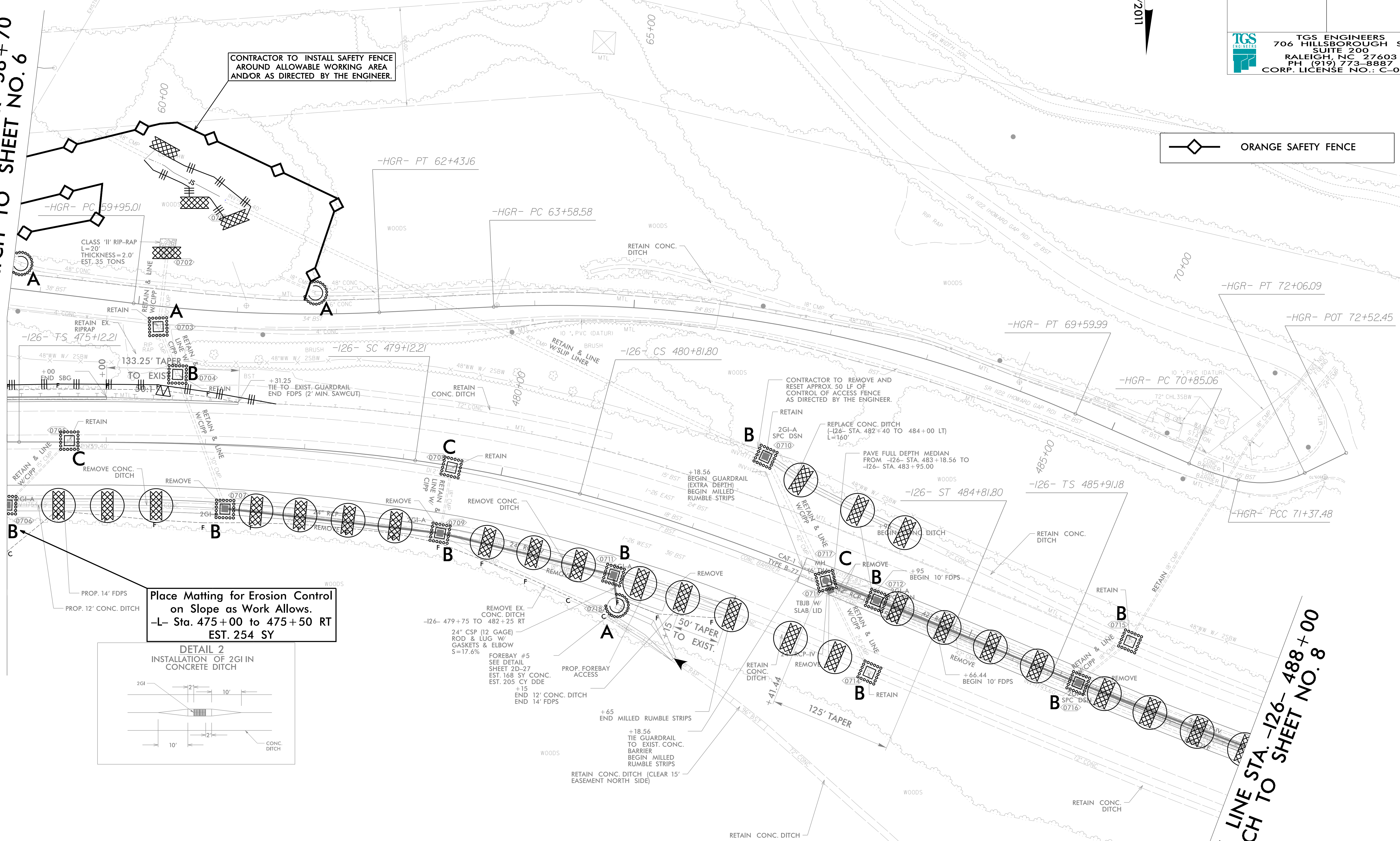
PROJECT REFERENCE NO. 15614.1075010	SHEET NO. EC-13/CONST.7
RW SHEET NO.	
ROADWAY DESIGN ENGINEER	HYDRAULICS ENGINEER
 <b>TGS ENGINEERS</b> 706 HILLSBOROUGH ST SUITE 200 RALEIGH, NC 27603 PH (919) 773-8887 CORP. LICENSE NO.: C-0275	

NAD 83/2011

-126- CURVE DATA				HGR- CURVE DATA			
PIs Sta 477+79.15	PI Sta 479+97.10	PIs Sta 482+15.38	PIs Sta 487+91.25	PI Sta 61+19.38	PI Sta 66+64.68	PI Sta 71+11.33	PI Sta 71+73.19
$\Delta s = 8' 00'' 00.0''$	$\Delta = 6' 47'' 00.0''$ (RT)	$\Delta s = 8' 00'' 00.0''$	$\Delta s = 4' 30'' 00.0''$	$\Delta = 9' 40'' 19.5''$ (LT)	$\Delta = 26' 18'' 14.6''$ (RT)	$\Delta = 10' 00'' 42.7''$ (LT)	$\Delta = 39' 18'' 35.0''$ (LT)
$Ls = 400.00'$	$D = 4' 00'' 00.0''$	$Ls = 400.00'$	$Ls = 300.00'$	$D = 3' 53'' 51.6''$	$D = 4' 22'' 25.4''$	$D = 19' 05'' 54.9''$	$D = 57' 17'' 44.8''$
$LT = 266.94'$	$L = 169.58'$	$LT = 266.94'$	$LT = 200.06'$	$L = 248.15'$	$L = 601.41'$	$L = 52.42'$	$L = 68.61'$
$ST = 133.58'$	$T = 84.89'$	$ST = 133.58'$	$ST = 100.06'$	$T = 124.37'$	$T = 306.10'$	$T = 26.28'$	$T = 35.72'$
	$R = 1,432.39'$			$R = 1,470.00'$	$R = 1,310.00'$	$R = 300.00'$	$R = 100.00'$

MATCH LINE STA. -126- 475+00 MATCH LINE STA. -HGR- 58+70  
MATCH TO SHEET NO. 6 MATCH TO SHEET NO. 6

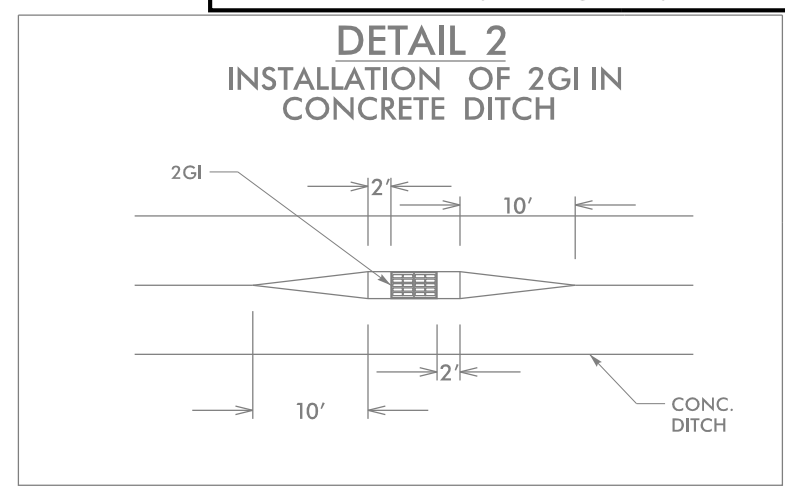
MATCH LINE STA. -126- 488+00  
MATCH TO SHEET NO. 8



CONTRACTOR TO INSTALL SAFETY FENCE AROUND ALLOWABLE WORKING AREA AND/OR AS DIRECTED BY THE ENGINEER.

ORANGE SAFETY FENCE

Place Matting for Erosion Control on Slope as Work Allows. -L- Sta. 475+00 to 475+50 RT EST. 254 SY



NOTE: ALL CSP GASKETS ARE TO BE SLEEVE GASKETS.

NOTE: PLACE TEMPORARY ROCK SEDIMENT DAMS TYPE - B AND TEMPORARY ROCK SILT CHECKS TYPE - A AT DRAINAGE OUTLETS.

IN LIEU OF ROCK INLET SEDIMENT TRAP TYPE C, UTILIZE FABRIC INSERT INLET PROTECTION DEVICES IN AREAS WHERE WATER MAY POND ON ROAD OPEN TO LIVE TRAFFIC AND ON JUNCTION BOXES INSTALLED ON STEEP SLOPES.