


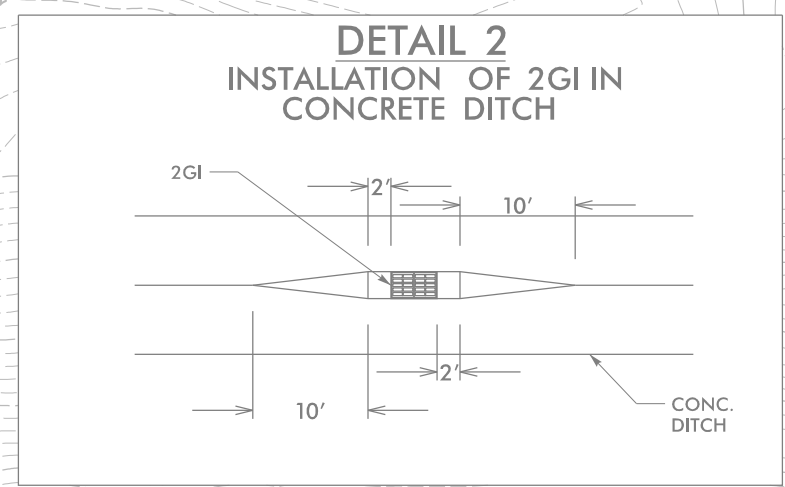
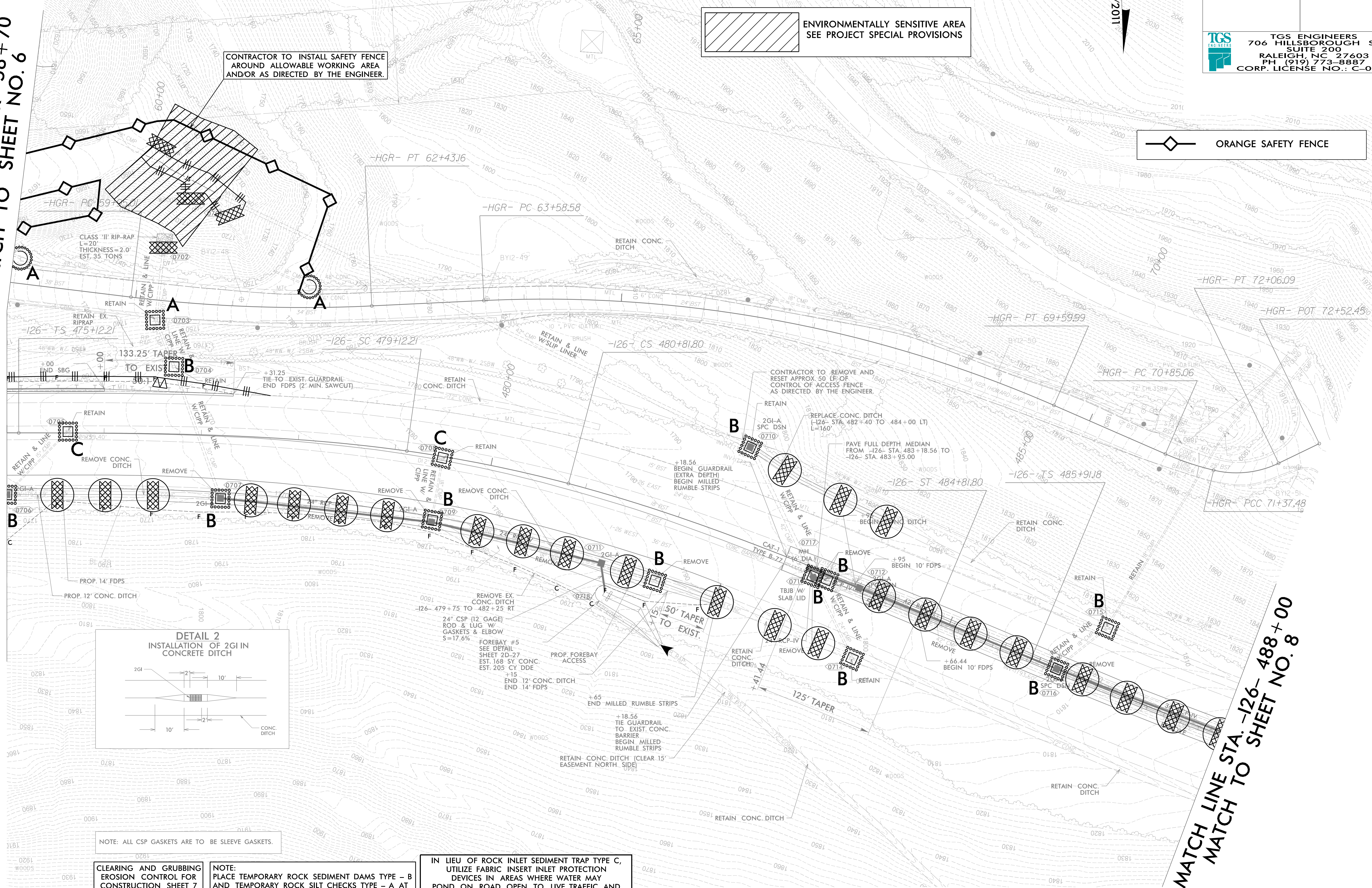
PROJECT REFERENCE NO. 15614.1075010	SHEET NO. EC-7/CONST.7
RW SHEET NO.	
ROADWAY DESIGN ENGINEER	HYDRAULICS ENGINEER
 TGS ENGINEERS 706 HILLSBOROUGH ST SUITE 200 RALEIGH, NC 27603 PH (919) 773-8887 CORP. LICENSE NO.: C-0275	

MATCH LINE STA. -126- 475+00 MATCH LINE STA. -HGR- 58+70
 MATCH TO SHEET NO. 6 MATCH TO SHEET NO. 6

-126- CURVE DATA				-HGR- CURVE DATA			
PI Sta 477+79.15	PI Sta 479+97.10	PI Sta 482+15.38	PI Sta 487+91.25	PI Sta 66+19.38	PI Sta 66+64.68	PI Sta 71+11.33	PI Sta 71+73.19
$\Delta = 8^{\circ} 00' 00.0''$	$\Delta = 6^{\circ} 47' 00.0''$ (RT)	$\Delta = 8^{\circ} 00' 00.0''$	$\Delta = 4^{\circ} 30' 00.0''$	$\Delta = 9^{\circ} 40' 19.5''$ (LT)	$\Delta = 26^{\circ} 18' 14.6''$ (RT)	$\Delta = 10^{\circ} 00' 42.7''$ (LT)	$\Delta = 39^{\circ} 18' 35.0''$ (LT)
Ls = 400.00'	D = 4' 00' 00.0"	Ls = 400.00'	Ls = 300.00'	D = 3' 53' 51.6"	D = 4' 22' 25.4"	D = 19' 05' 54.9"	D = 57' 17' 44.8"
LT = 266.94'	L = 169.58'	LT = 266.94'	LT = 200.06'	L = 248.15'	L = 601.41'	L = 52.42'	L = 68.61'
ST = 133.58'	T = 84.89'	ST = 133.58'	ST = 100.06'	T = 124.37'	T = 306.10'	T = 26.28'	T = 35.72'
	R = 1,432.39'			R = 1,470.00'	R = 1,310.00'	R = 300.00'	R = 100.00'

 ENVIRONMENTALLY SENSITIVE AREA
SEE PROJECT SPECIAL PROVISIONS

 ORANGE SAFETY FENCE



NOTE: ALL CSP GASKETS ARE TO BE SLEEVE GASKETS.

CLEARING AND GRUBBING EROSION CONTROL FOR CONSTRUCTION SHEET 7

NOTE: PLACE TEMPORARY ROCK SEDIMENT DAMS TYPE - B AND TEMPORARY ROCK SILT CHECKS TYPE - A AT DRAINAGE OUTLETS.

IN LIEU OF ROCK INLET SEDIMENT TRAP TYPE C, UTILIZE FABRIC INSERT INLET PROTECTION DEVICES IN AREAS WHERE WATER MAY POND ON ROAD OPEN TO LIVE TRAFFIC AND ON JUNCTION BOXES INSTALLED ON STEEP SLOPES.

MATCH LINE STA. -126- 488+00
 MATCH TO SHEET NO. 8