

PROJ. REFERENCE NO. B-5703	SHEET NO. PMP-1
APPROVED: _____	
DATE: 5/18/2021	
SEAL	
	
 <small>Engineers • Planners • Scientists • Construction Managers 4601 Six Forks Road, Landmark Center II, Suite 210 Raleigh, NC 27609-5210 Phone (919) 783-9214 • Fax (919) 783-9266</small>	

STATE OF NORTH CAROLINA
DIVISION OF HIGHWAYS

PAVEMENT MARKING PLAN

CUMBERLAND/HARNETT COUNTY

**LOCATION: BRIDGE NO. 60 OVER LITTLE RIVER
ON US 401**

TIP PROJECT: B-5703

CONTRACT: C204518

**PAVEMENT MARKING
SCHEDULE**

<u>SYMBOL DESCRIPTION</u>	<u>FINAL PAVEMENT MARKINGS</u>
<i>T1 WHITE EDGELINE</i>	<i>THERMOPLASTIC (4", 90 MILS)</i>
<i>T13 YELLOW DOUBLE CENTER</i>	<i>THERMOPLASTIC (4", 90 MILS)</i>
<i>T11 YELLOW SINGLE CENTER</i>	<i>THERMOPLASTIC (4", 90 MILS)</i>
<i>T12 10 FT. YELLOW SKIP</i>	<i>THERMOPLASTIC (4", 90 MILS)</i>
<i>C1 WHITE EDGELINE</i>	<i>COLD APPLIED (4", TYPE 2)</i>
<i>C13 YELLOW DOUBLE CENTER</i>	<i>COLD APPLIED (4", TYPE 2)</i>

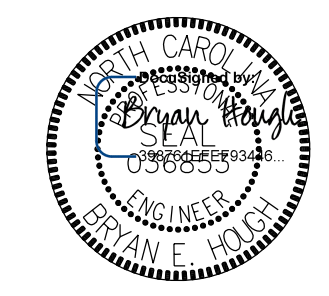
SUMMARY OF QUANTITIES

ITEM NO.		ITEM DESCRIPTION	QUANTITY	UNIT
DESC. NO.	SECT. NO.			
4685000000-E	1205	THERMOPLASTIC PAVEMENT MARKING LINES (4", 90 MILS)	2535	LF
4770000000-E	1205	COLD APPLIED PLASTIC PAVEMENT MARKING LINES (4")	788	LF
4900000000-N	1251	RAISED PAVEMENT MARKERS	2	EA
4905000000-N	1253	RAISED PAVEMENT MARKERS - SNOWPLOWABLE	10	EA

INDEX

<u>SHEET NO.</u>	<u>DESCRIPTION</u>
<i>PMP-1</i>	<i>PAVEMENT MARKING PLAN TITLE SHEET, SCHEDULE AND SUMMARY OF QUANTITIES</i>
<i>PMP-2</i>	<i>GENERAL NOTES & STANDARD DRAWINGS</i>
<i>PMP-2</i>	<i>PAVEMENT MARKING DETAIL</i>

I8-MAY-2021 11:37
 W:\2018\201801945.13 B-5703\TrafficControl\TCP\B5703_PMP_01.dgn
 \$\$\$SUBSERIALNAME\$\$\$

PROJ. REFERENCE NO.	SHEET NO.
B-5703	PMP-2
APPROVED: _____	
DATE: 5/18/2021	
SEAL	
	
	
<small>Engineers • Planners • Scientists • Construction Managers 4601 Six Forks Road, Landmark Center II, Suite 220 Raleigh, NC 27609-5210 Phone (919) 783-9214 • Fax (919) 783-9286</small>	

ROADWAY STANDARD DRAWING

THE FOLLOWING ROADWAY STANDARDS AS APPEAR IN "ROADWAY STANDARD DRAWINGS" - N.C. DEPARTMENT OF TRANSPORTATION - RALEIGH, N.C., DATED JANUARY 2018 ARE APPLICABLE TO THIS PROJECT AND BY REFERENCE HEREBY ARE CONSIDERED A PART OF THESE PLANS:

STD. NO.	TITLE
1205.01	PAVEMENT MARKINGS - LINE TYPES AND OFFSETS
1205.02	PAVEMENT MARKINGS - TWO-LANE AND MULTILANE ROADWAYS
1205.12	PAVEMENT MARKINGS - BRIDGES
1250.01	RAISED PAVEMENT MARKERS - INSTALLATION SPACING
1251.01	RAISED PAVEMENT MARKERS - PERMANENT AND TEMPORARY
1261.01	GUARDRAIL AND BARRIER DELINEATORS - INSTALLATION SPACING
1261.02	GUARDRAIL AND BARRIER DELINEATORS - TYPES AND MOUNTING
1262.01	GUARDRAIL AND DELINEATION
1267.01	FLEXIBLE DELINEATORS - INSTALLATION

GENERAL NOTES

THE FOLLOWING GENERAL NOTES APPLY AT ALL TIMES FOR THE DURATION OF THE CONSTRUCTION PROJECT, EXCEPT WHEN OTHERWISE NOTED IN THE PLAN, OR DIRECTED BY THE ENGINEER.

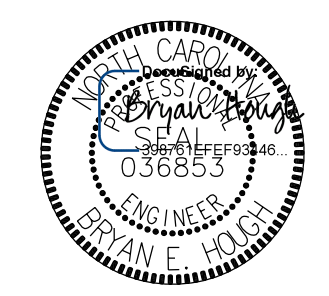

A) INSTALL PAVEMENT MARKINGS AND PAVEMENT MARKERS ON THE FINAL SURFACE AS FOLLOWS:

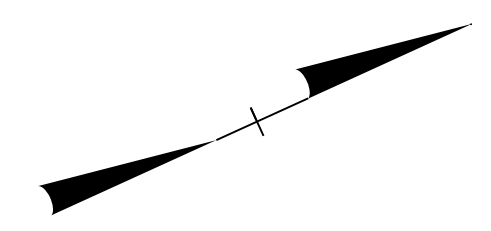
ROAD NAME	MARKING	MARKER
-L- US 401	THERMOPLASTIC	SNOWPLOWABLE
-BRIDGE-	COLD APPLIED (TYPE 2)	PERMANENT RAISED

- B) TIE PROPOSED PAVEMENT MARKING LINES TO EXISTING PAVEMENT MARKING LINES.
- C) REMOVE/REPLACE ANY CONFLICTING/DAMAGED PAVEMENT MARKINGS AND MARKERS.
- D) PASSING ZONES WILL BE DETERMINED IN THE FIELD AND MUST BE APPROVED BY THE ENGINEER.
- E) REMOVE ALL RESIDUE AND SURFACE LAITANCE BY ACCEPTABLE METHODS ON THE BRIDGE DECK(S) PRIOR TO PLACING PAINT PAVEMENT MARKINGS.
- F) TYPE III COLD APPLIED PLASTIC MAY BE USED IN LIEU OF TYPE II COLD APPLIED PLASTIC. IF TYPE III COLD APPLIED PLASTIC IS USED, IT SHALL BE PAID FOR USING THE TYPE II COLD APPLIED PLASTIC PAY ITEM.

**GENERAL NOTES AND
ROADWAY STANDARD DRAWINGS**

07-DEC-2020 09:25
 N:\2018\2018019\45_13 B-5703\Traffic\TrafficControl\TCP\B5703_PMP_02.dgn
 \$\$\$SUBDRAWING\$\$\$

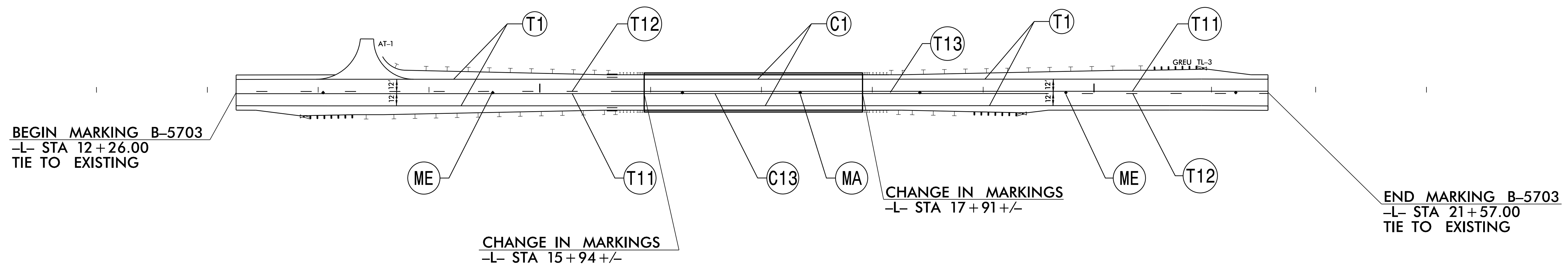
PROJ. REFERENCE NO. B-5703	SHEET NO. PMP-3
APPROVED: _____ DATE: 5/18/2021	
SEAL 	
 KCI <small>Engineers • Planners • Scientists • Construction Managers 4601 Six Forks Road, Landmark Center II, Suite 210 Raleigh, NC 27609-5210 Phone (919) 783-9214 • Fax (919) 783-9266</small>	



10

15

20



PAVEMENT MARKING SCHEDULE	
T1 THERMOPLASTIC (4", 90 MILS) WHITE EDGELINE (4")	C1 COLD APPLIED PLASTIC WHITE EDGE LINE (4")
T13 THERMOPLASTIC (4", 90 MILS) YELLOW DOUBLE CENTER (4")	C13 COLD APPLIED PLASTIC YELLOW DOUBLE CENTER (4")
T11 THERMOPLASTIC (4", 90 MILS) YELLOW SINGLE CENTER (4")	MA PERMANENT RAISED MARKER (YELLOW AND YELLOW)
T12 THERMOPLASTIC (4", 90 MILS) 10 FT. YELLOW SKIP (4")	ME SNOWPLOWABLE MARKER (YELLOW AND YELLOW)

**PAVEMENT MARKING DETAIL
AND SCHEDULE**

07-DEC-2020 09:23
 N:\2018\201801945.13 B-5703\Traffic\TrafficControl\TCP\B5703_PMP_03.dgn
 \$\$\$SUBDERIVED\$\$\$