


GEOTECHNICAL ENGINEER



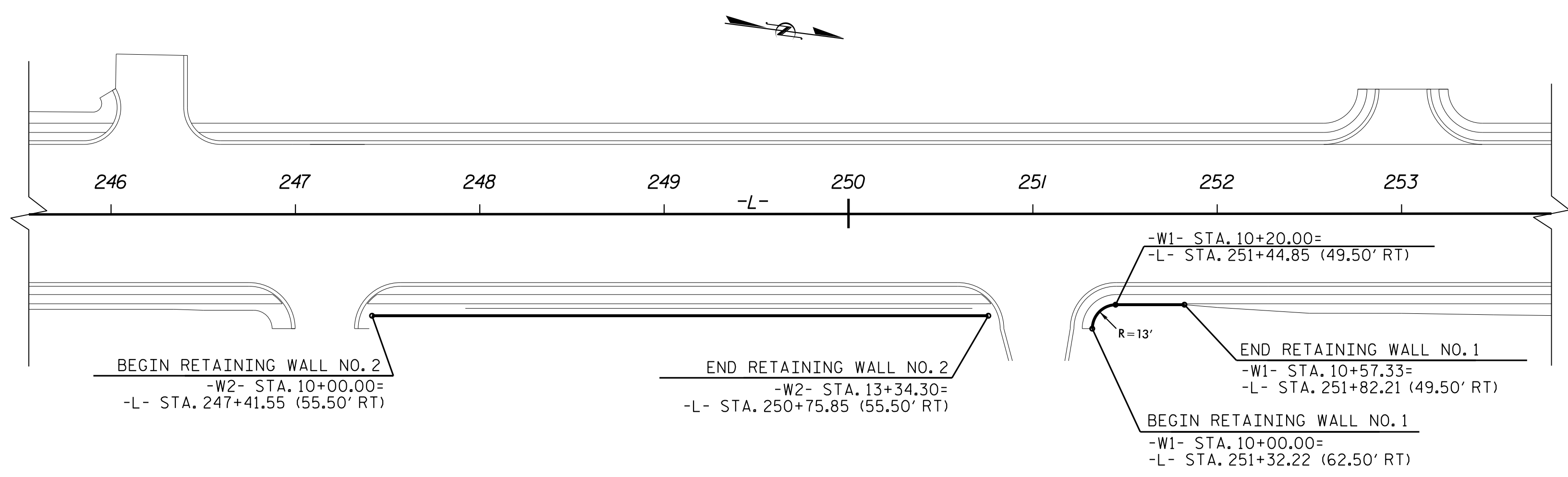
DocuSigned by:
J. Park
8/2/2019

ENGINEER

DATE: 8/2/2019

SIGNATURE: DATE:

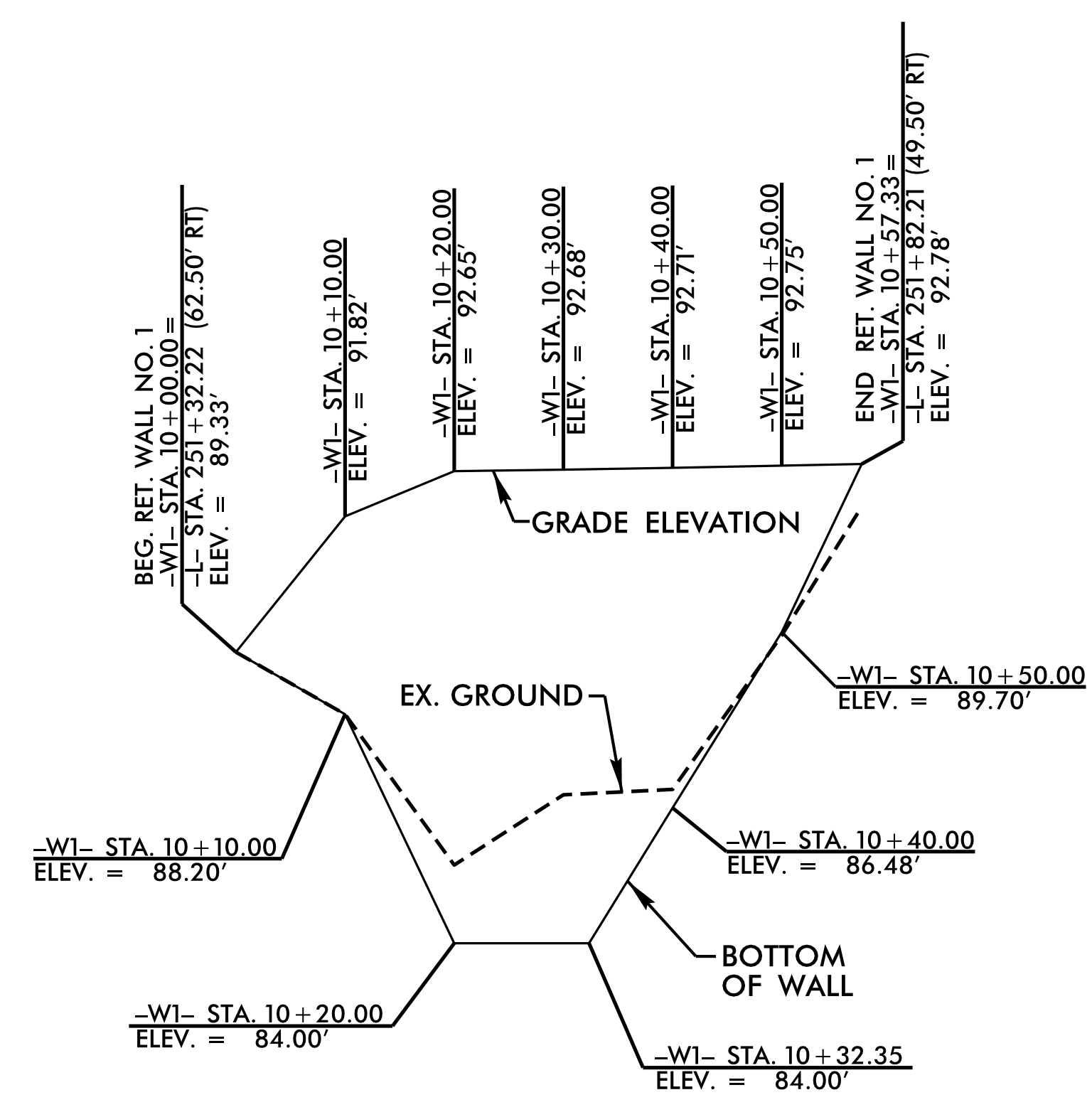
**DOCUMENT NOT CONSIDERED FINAL
UNLESS ALL SIGNATURES COMPLETED**



PLAN VIEW FOR RETAINING WALL NO. 1 AND NO. 2

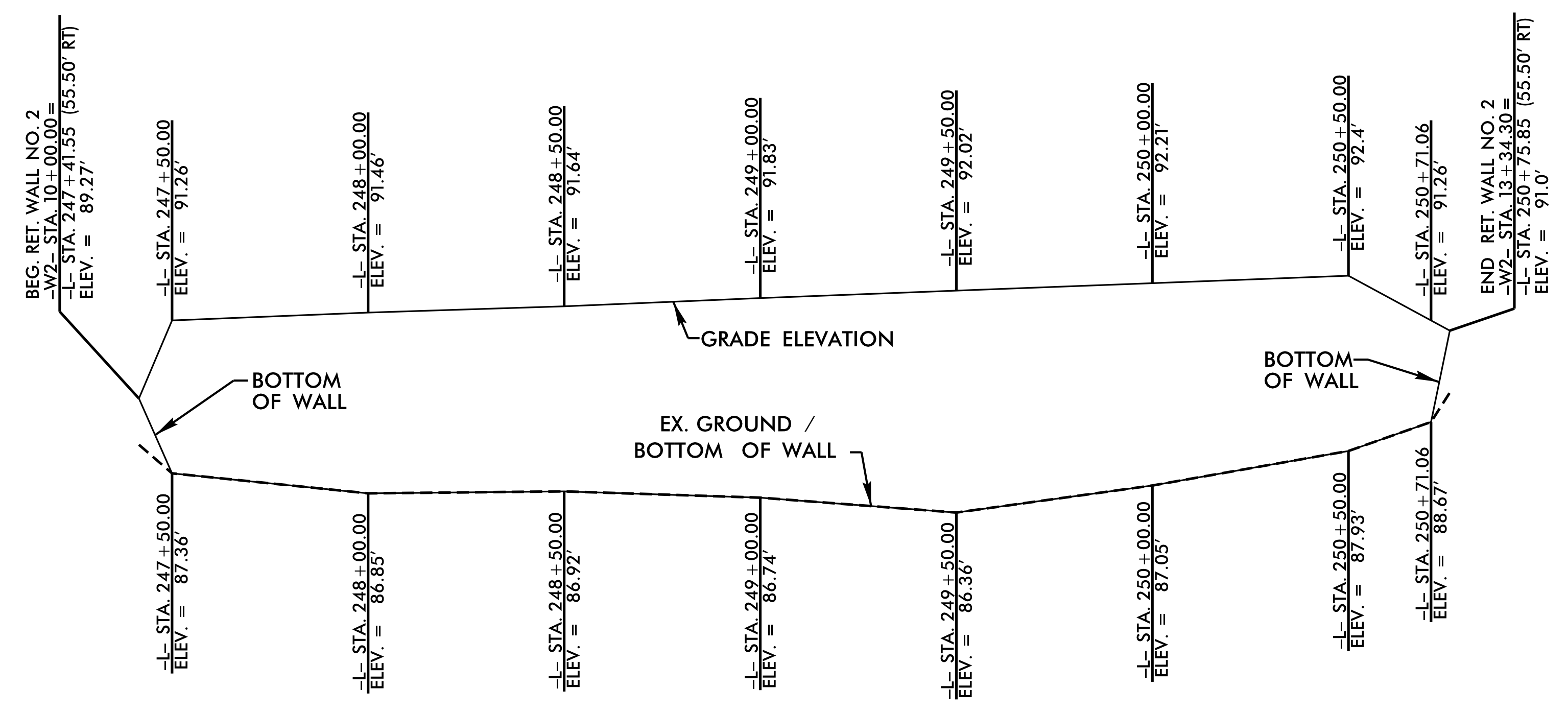
ESTIMATED MSE WALL QUANTITIES*	
MSE RETAINING WALL NO. 1	400 SF
MSE RETAINING WALL NO. 2	2,100 SF

* WALL QUANTITIES INCLUDE EMBEDMENT AND EXTENSION



WALL ENVELOPE FOR RETAINING WALL NO. 1

EXPOSED WALL FACE VIEW, N.T.S.
THE WALL ENVELOPE DOES NOT ACCURATELY
DEPICT THE ACTUAL FACE OF THE WALL.

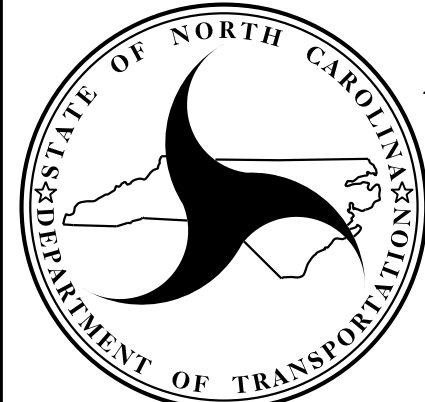


WALL ENVELOPE FOR RETAINING WALL NO. 2

EXPOSED WALL FACE VIEW, N.T.S.

PROJECT NO.: 41499.1.3 (R-5020B)
COLUMBUS COUNTY
STATION: -L- 247+50.00 / -L- 251+50.00
SHEET 1 OF 3

PREPARED BY: J. PARK DATE: 08 / 2019
REVIEWED BY: J. BATTS DATE: 08 / 2019



NORTH CAROLINA
DEPARTMENT OF TRANSPORTATION
DIVISION OF HIGHWAYS

GEOTECHNICAL
ENGINEERING UNIT

REVISIONS						SHEET NO. W-1
NO.	BY	DATE	NO.	BY	DATE	
1			3			
2			4			

RETAINING WALL
PLAN VIEW AND
WALL ENVELOPES