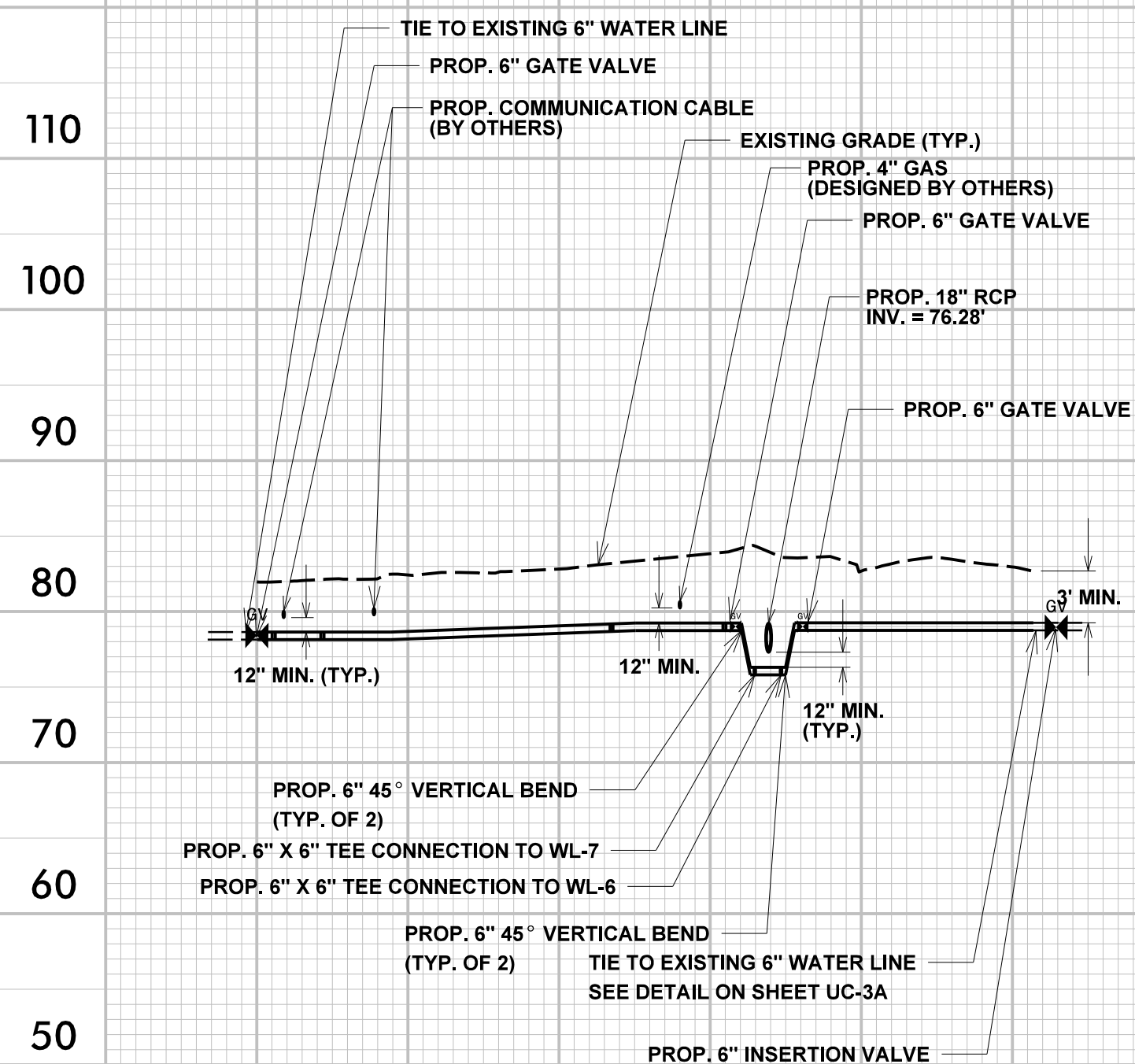


5/28/99

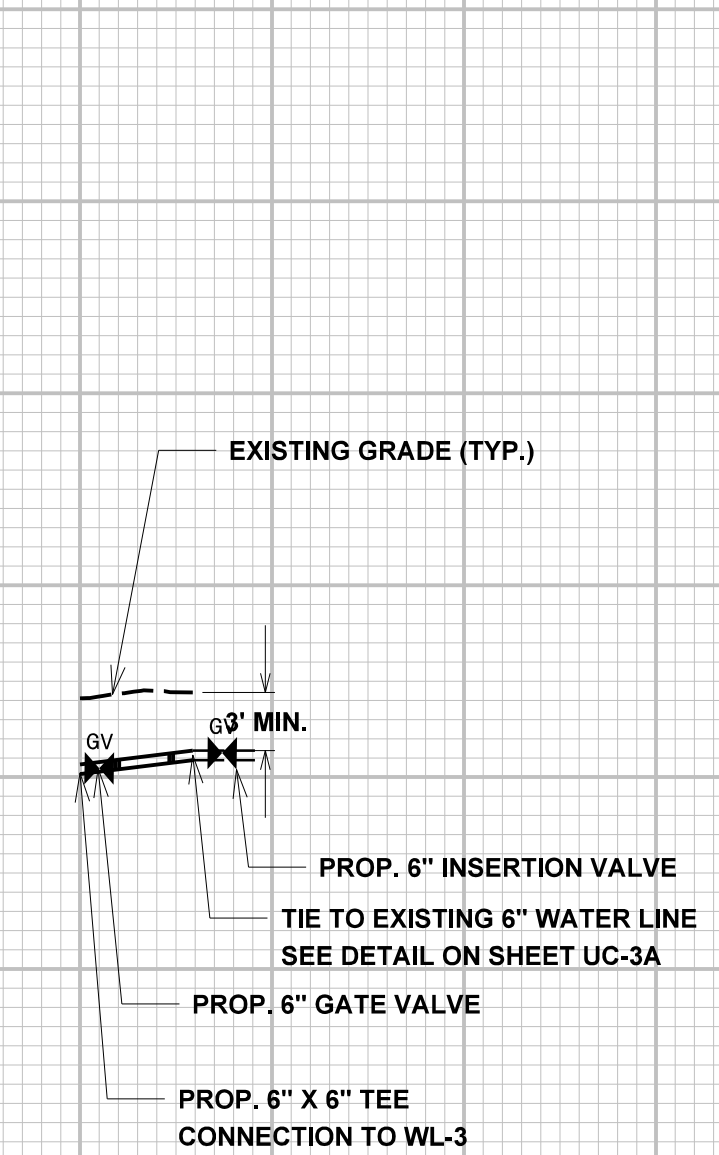
PROJECT REFERENCE NO. R-5020B	SHEET NO. UC-22
DESIGNED BY: MM	
DRAWN BY: CS	
CHECKED BY: MM	
APPROVED BY:	
REVISED:	
NORTH CAROLINA DEPARTMENT OF TRANSPORTATION 9/3/2020	
UTILITIES ENGINEERING SEC. PHONE: (919) 707-6690 FAX: (919) 250-4151	UTILITY CONSTRUCTION PLANS ONLY
Engineers • Planners • Scientists • Construction Managers 4508 Falls of Neuse Road, Suite 400 Raleigh, NC 27609 Phone (919) 783-9214 • Fax (919) 783-9266 License No. C-764	

-WL-I1-



FOR PLAN VIEW, SEE SHEET UC-7

-WL-I2-

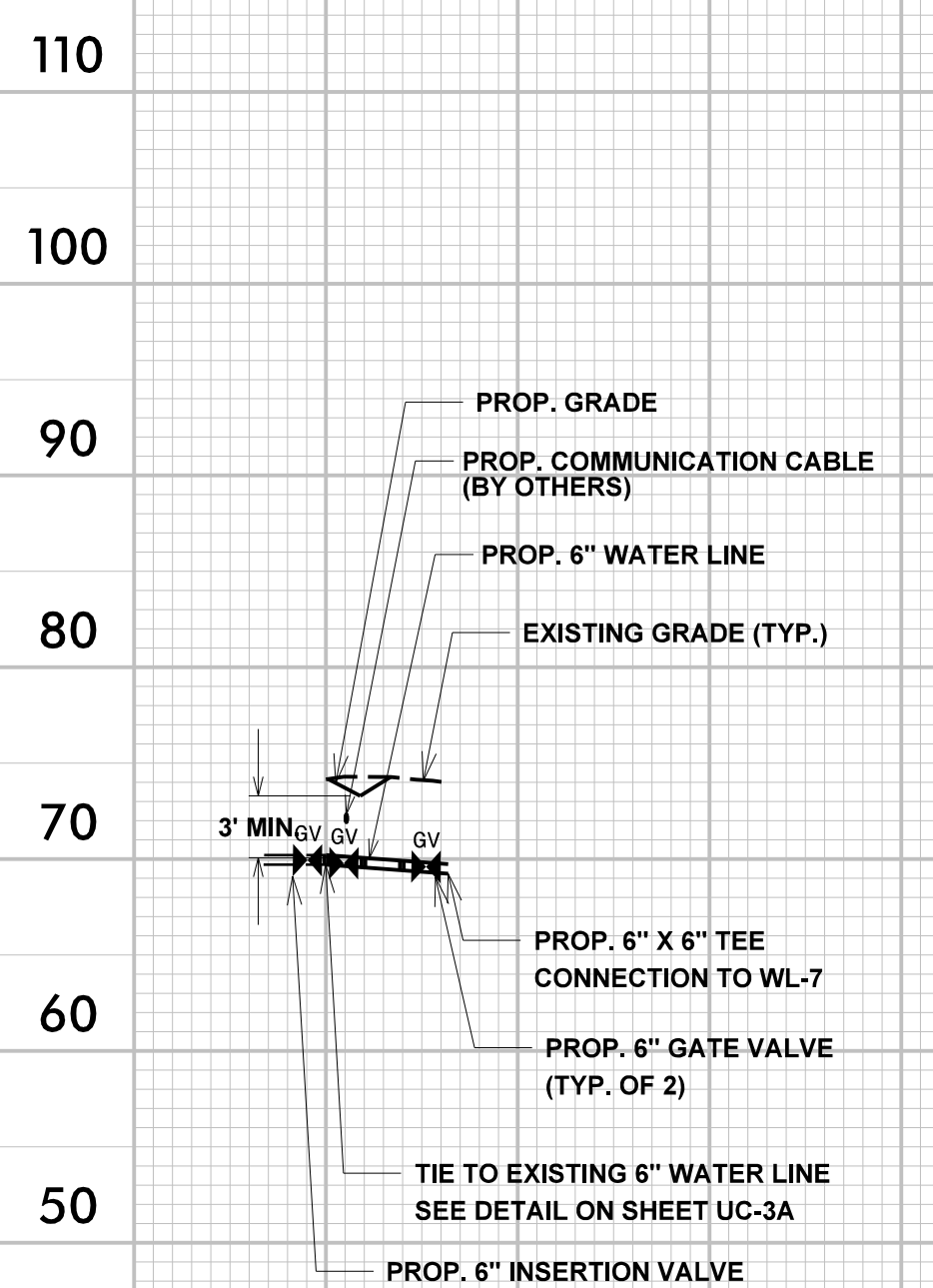


FOR PLAN VIEW, SEE SHEET UC-7

UTILITY CONSTRUCTION

DOCUMENT NOT CONSIDERED FINAL UNLESS ALL SIGNATURES COMPLETED

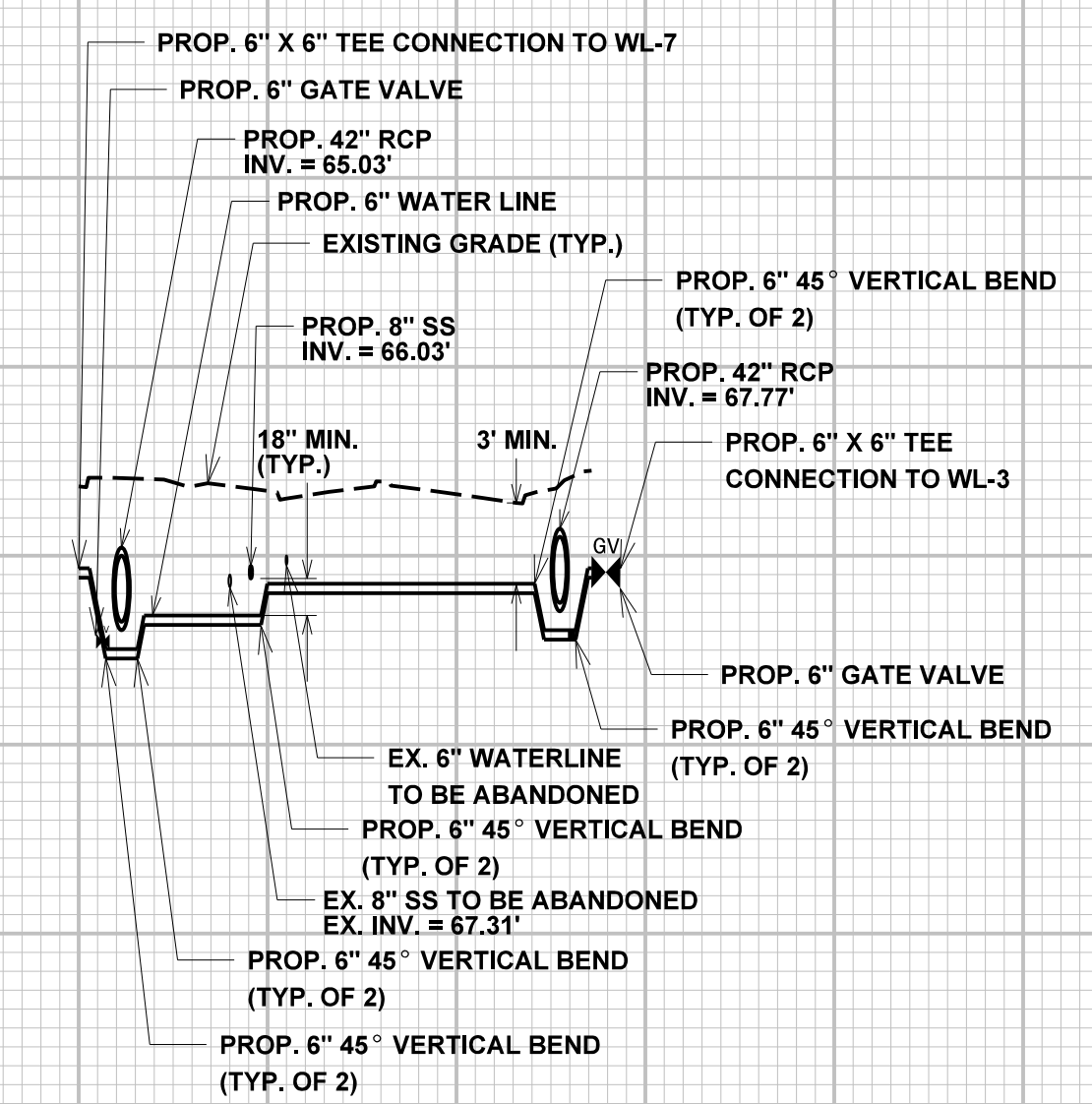
-WL-J1-



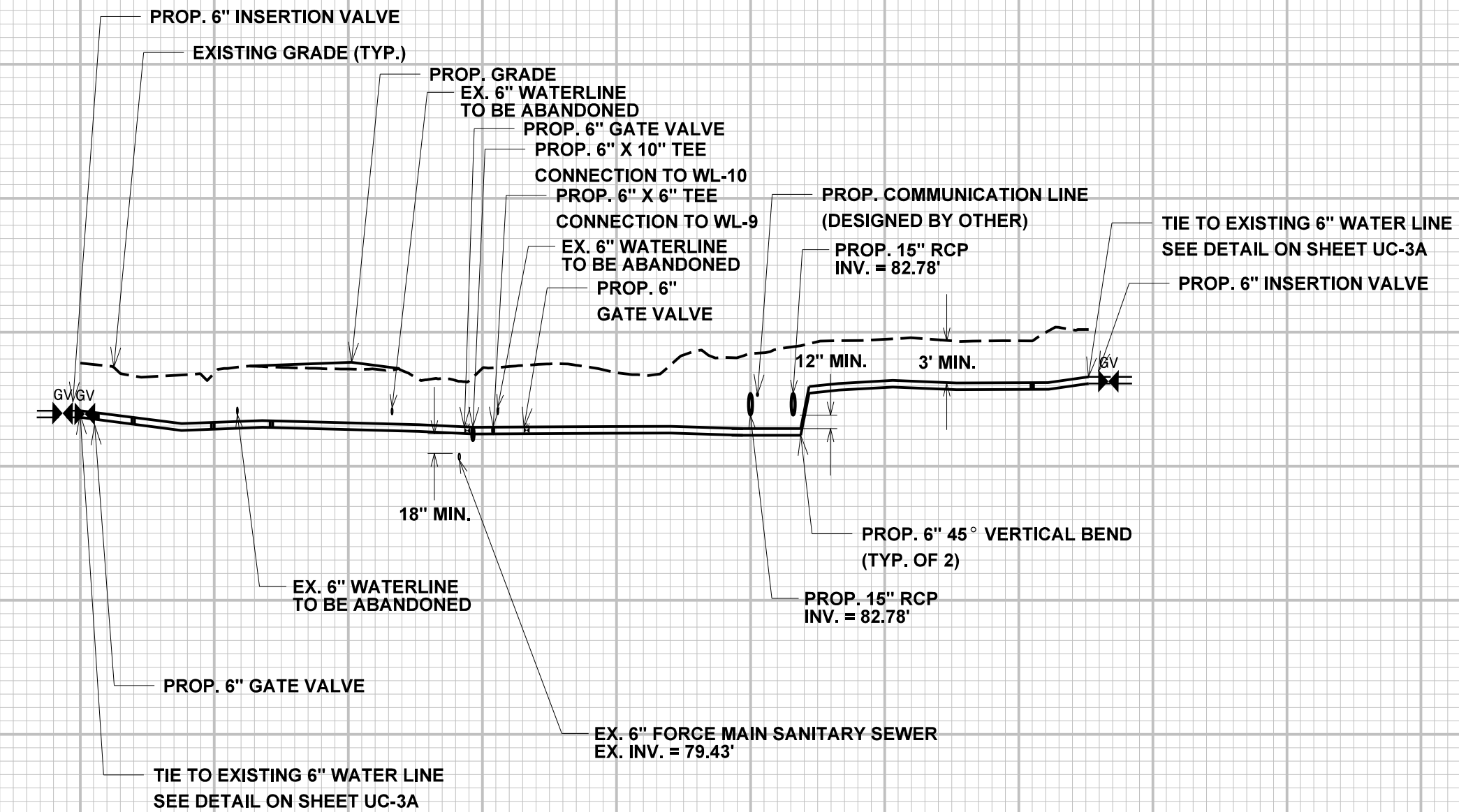
FOR PLAN VIEW, SEE SHEET UC-8

-WL-J2-

FOR PLAN VIEW, SEE SHEET UC-8



-WL-K-



FOR PLAN VIEW, SEE SHEET UC-9

R:\JULY 2020\08559 NCDOT R-5020B US 701 Widening\Water Sanitary\Water Line Profiles\R-5020B-ut.wtr_UC20.pfl.dgn