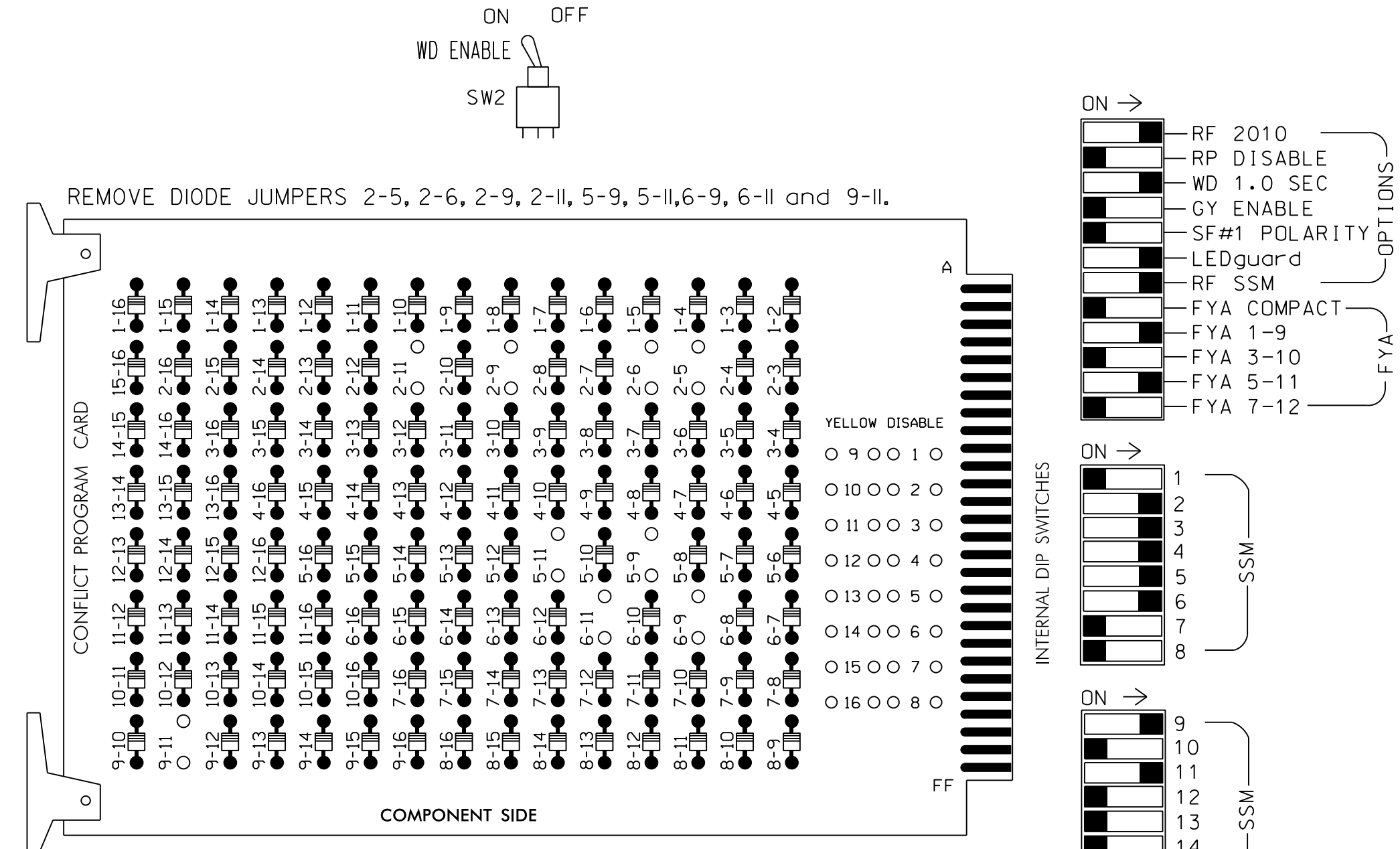


EDI MODEL 2010ECL-NC CONFLICT MONITOR PROGRAMMING DETAIL

(remove jumpers and set switches as shown)



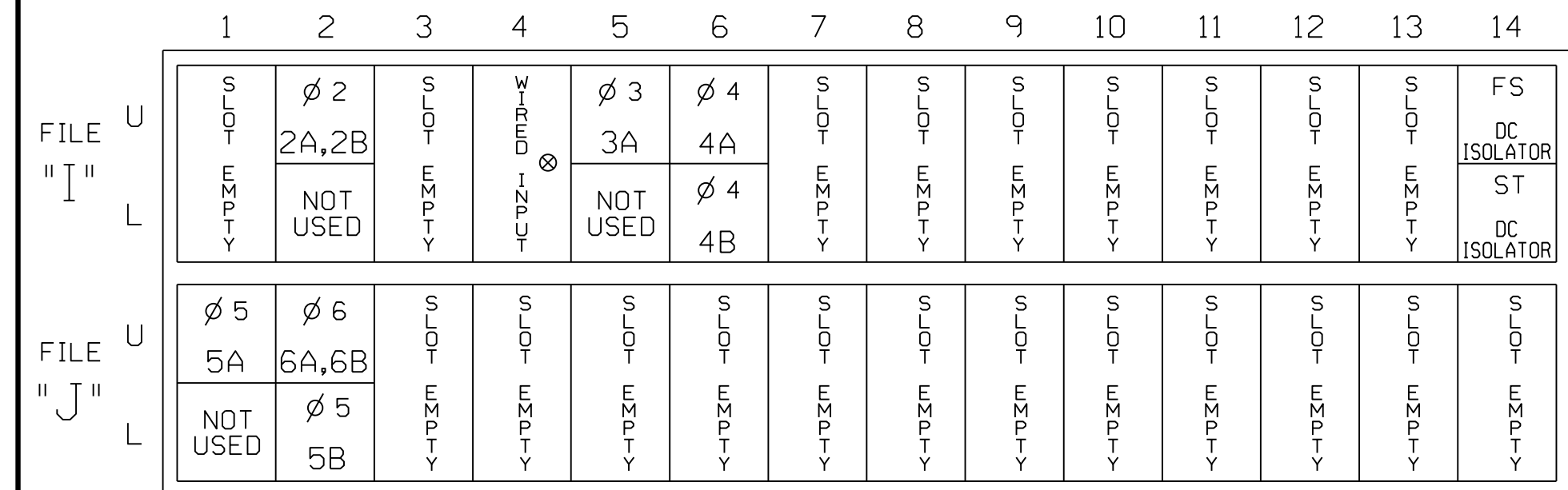
NOTES:

- Card is provided with all diode jumpers in place. Removal of any jumper allows its channels to run concurrently.
- Make sure jumpers SEL2-SEL5 are present on the monitor board.

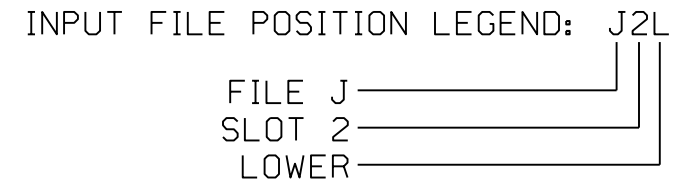
REMOVE JUMPERS AS SHOWN

INPUT FILE POSITION LAYOUT

(front view)



EX.: 1A, 2A, ETC. = LOOP NO.'S
FS = FLASH SENSE
ST = STOP TIME
⊗ Wired Input - Do not populate slot with detector card



NOTES

- To prevent "flash-conflict" problems, insert red flash program blocks for all unused vehicle load switches in the output file. The installer shall verify that signal heads flash in accordance with the Signal Plans.
- Program controller to start up in phase 2 Green and 6 Green.
- The cabinet and controller are part of the Signal System # 10605.

EQUIPMENT INFORMATION

CONTROLLER.....CONTRACTOR SUPPLIED 2070LX
 CABINET.....EXISTING McCAIN 332 /W/ AUX
 SOFTWAREECONOLITE ASC/3-2070
 CABINET MOUNT.....BASE
 OUTPUT FILE POSITIONS...18 WITH AUX. OUTPUT FILE
 LOAD SWITCHES USED.....S2,S3,S4,S5,S6,S9,S12.
 PHASES USED.....2,3,4,5,6.
 OVERLAP "A".....*
 OVERLAP "B".....NOT USED
 OVERLAP "C".....*
 OVERLAP "D".....NOT USED

* See overlap programming detail on sheet 2

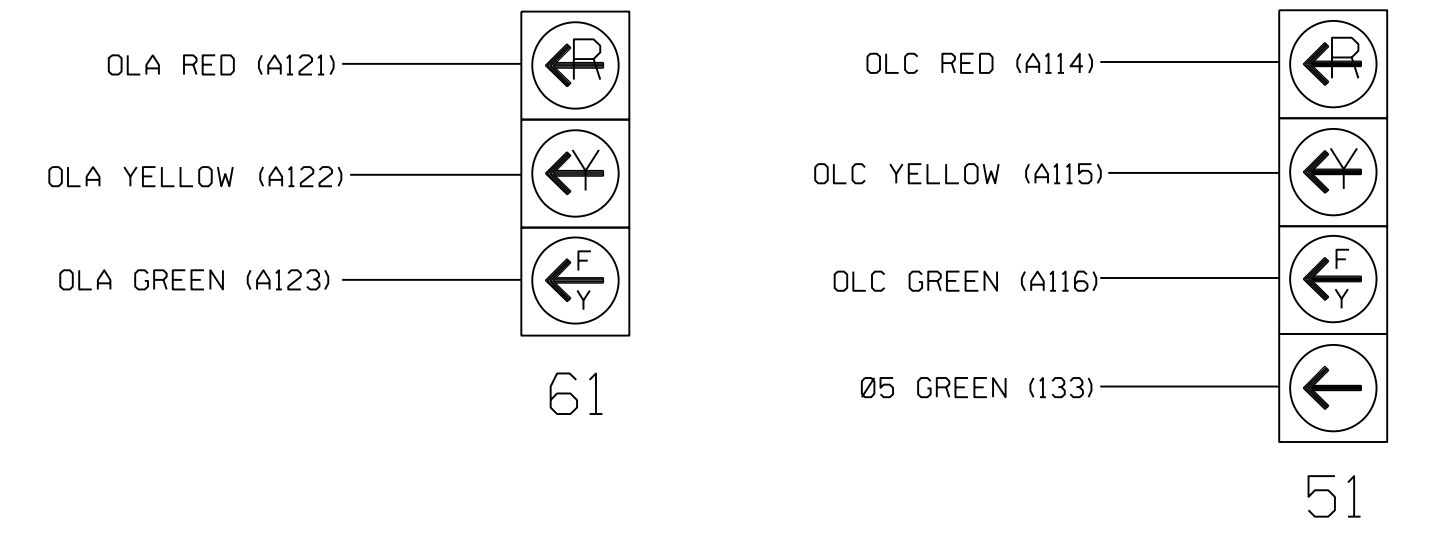
SIGNAL HEAD HOOK-UP CHART

LOAD SWITCH NO.	S1	S2	S2P	S3	S4	S4P	S5	S6	S6P	S7	S8	S8P	S9	S10	S11	S12	S13	S14
PHASE	1	2	2 PED	3	4	4 PED	5	6	6 PED	7	8	8 PED	OLA	DLB	SPARE	OLC	OLD	SPARE
SIGNAL HEAD NO.	NU	21,22	NU	31 32	41 42	63	51 42	62,63	NU	NU	NU	NU	61	NU	NU	51	NU	NU
RED		128		116 116	101 101		*	134										
YELLOW		129		117 117	102 102			135										
GREEN		130		118 118	103 103			136										
RED ARROW													A121			A114		
YELLOW ARROW						102		132					A122			A115		
FLASHING YELLOW ARROW													A123			A116		
GREEN ARROW				118	103	103	133	133										

NU = Not Used
 * Denotes install load resistor. See load resistor installation detail this sheet.
 ★ See pictorial of head wiring in detail below.

FYA SIGNAL WIRING DETAIL

(wire signal heads as shown)



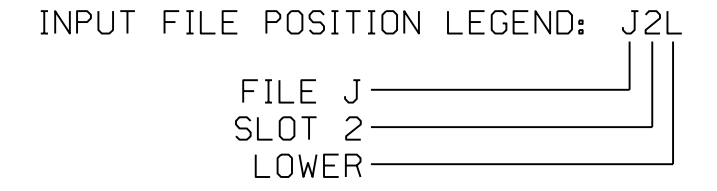
NOTE

1. The sequence display for signal head 51 requires special logic programming. See sheet 2 of 2 for programming instructions.

INPUT FILE CONNECTION & PROGRAMMING CHART

LOOP NO.	LOOP TERMINAL	INPUT FILE POS.	PIN NO.	DETECTOR NO.	NEMA PHASE	CALL	EXTEND TIME	DELAY TIME	ADDED INITIAL	DETECTOR TYPE
2A,2B	TB2-5,6	I2U	39	2	2	YES			X	N
3A	TB4-5,6	I5U	58	3	3	YES		10		N
4A	TB4-9,10	I6U	41	4	4	YES		3		N
4B	TB4-11,12	I6L	45	14	4	YES				N
5A ¹	TB3-1,2	J1U	55	5	5	YES		15		N
	-	I4U	47	22	2	YES		3		G
6A,6B	TB3-5,6	J2U	40	6	6	YES			X	N
5B	TB3-7,8	J2L	44	16	5	YES		15		N

¹Add jumper from J1-W to I4-W, on rear of input file.

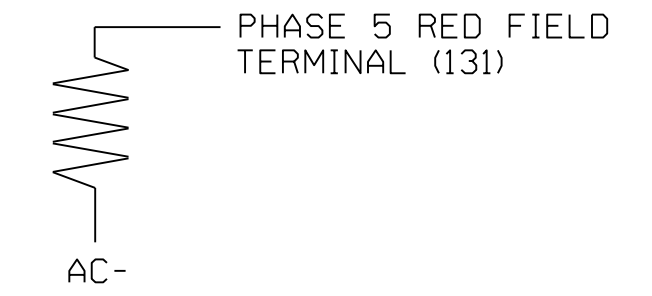


If present, remove jumpers from TB3-9 to TB3-11, and from TB3-10 to TB3-12.

LOAD RESISTOR INSTALLATION DETAIL

(install resistors as shown below)

ACCEPTABLE VALUES	
VALUE (ohms)	WATTAGE
1.5K - 1.9K	25W (min)
2.0K - 3.0K	10W (min)



THIS ELECTRICAL DETAIL IS FOR THE SIGNAL DESIGN: 06-1251
 DESIGNED: November 2012
 SEALED: 12-18-12
 REVISED: 05/14/2020

SEPI
 Engineering & Construction, Inc.
 1 Glenwood Avenue
 Raleigh, NC 27603
 Tel:919.789.9977
 Fax:919.789.9591
 License: C-2197

Revision Seal
 NORTH CAROLINA PROFESSIONAL ENGINEER
 SEAL 27771
 MATTHEW B. COPPLE
 Documented by: Matthew Copple

ELECTRICAL DETAIL SHEET 1 OF 2

US 701 (James B. White Highway) at Columbus Corners Drive

Division 06 Columbus County Whiteville

PLAN DATE: 12-06-12 REVIEWED BY:

PREPARED BY: D. H. Spaulding REVIEWED BY:

REVISIONS: CONTROLLER changed to ASC/3 MBC 05/14/20

SIGNATURE DATE

SIG. INVENTORY NO. 06-1251

DOCUMENT NOT CONSIDERED FINAL UNLESS ALL SIGNATURES COMPLETED

SEAL Not a certified document. This document originally issued and sealed by George C. Brown, P.E. no.022013 on (12/20/12) This document shall not be considered a certified document.