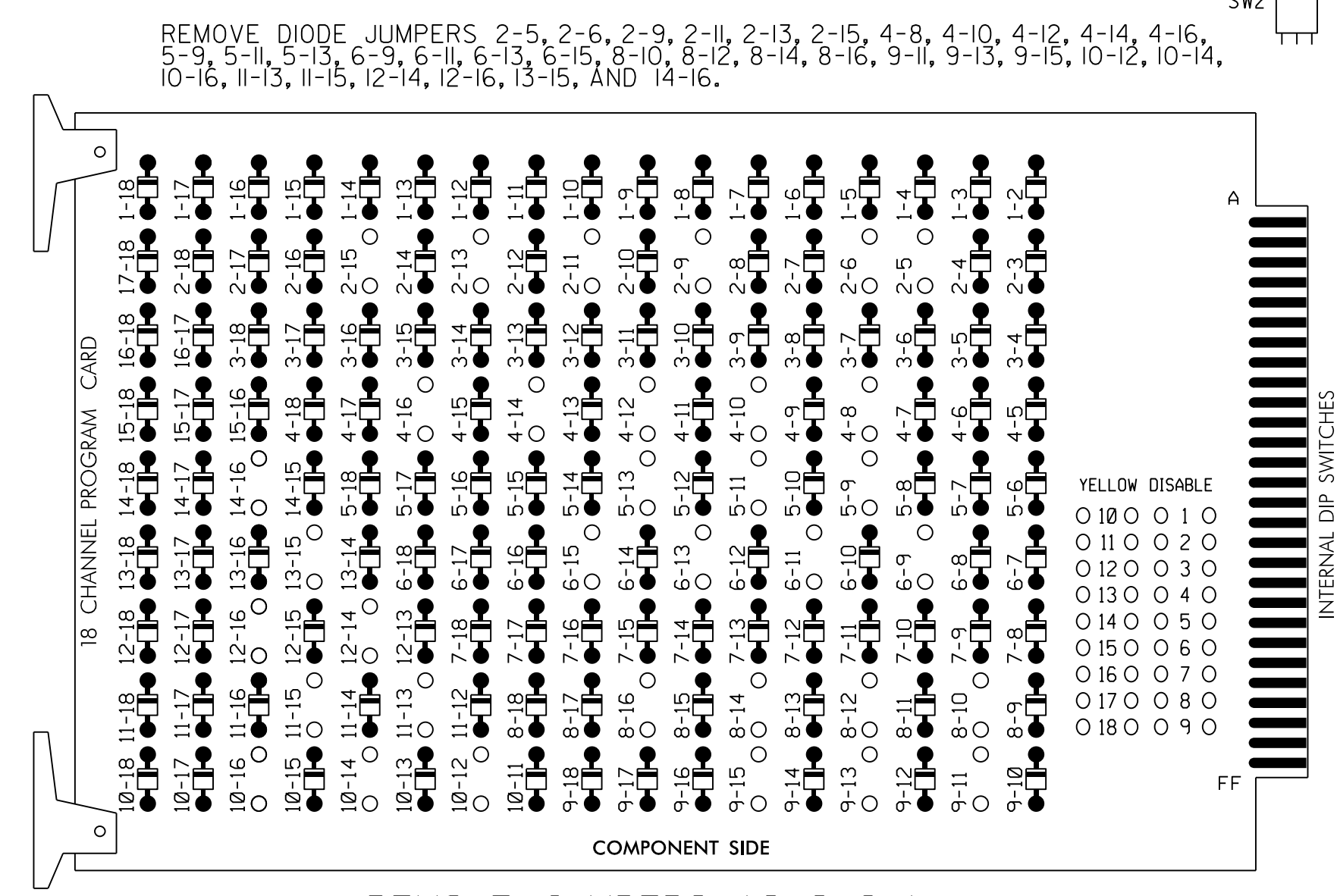
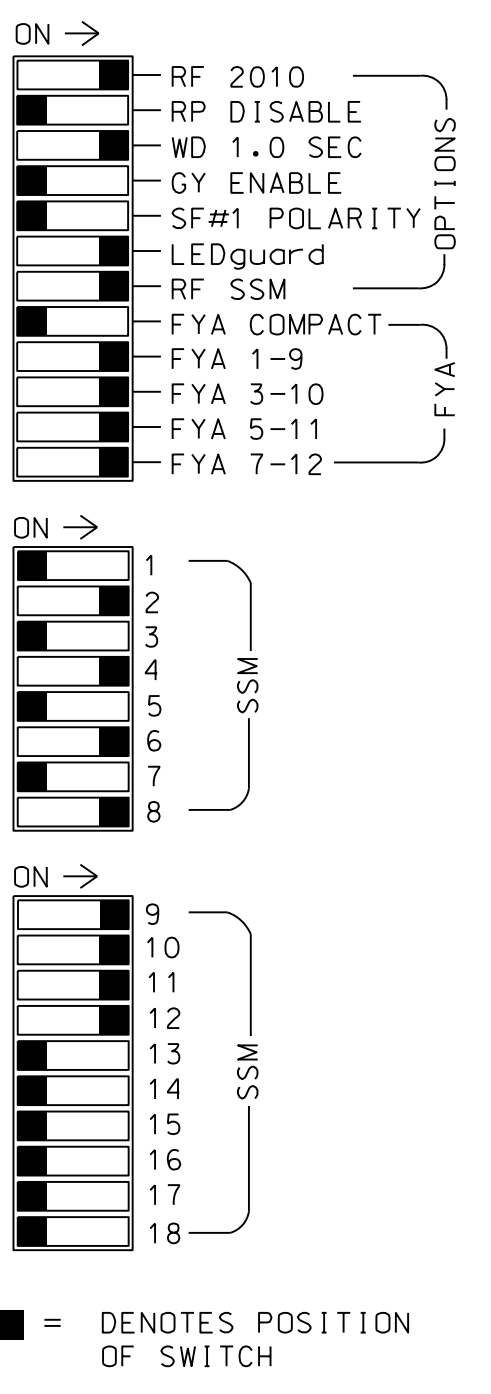


EDI MODEL 2018ECLip-NC CONFLICT MONITOR
PROGRAMMING DETAIL
(remove jumpers and set switches as shown)



- REMOVE JUMPERS AS SHOWN
- NOTES:
- Card is provided with all diode jumpers in place. Removal of any jumper allows its channels to run concurrently.
 - Ensure jumpers SEL2-SEL5 and SEL9 are present on the monitor board.
 - Ensure that Red Enable is active at all times during normal operation.
 - Integrate monitor with Ethernet network in cabinet.



NOTES

- To prevent "flash-conflict" problems, insert red flash program blocks for all unused vehicle load switches in the output file. The installer shall verify that signal heads flash in accordance with the Signal Plans.
- Program phases 4 and 8 for Dual Entry.
- Program controller to start up in phase 2 Walk and 6 Walk.
- The cabinet and controller are part of System # 10605.

EQUIPMENT INFORMATION

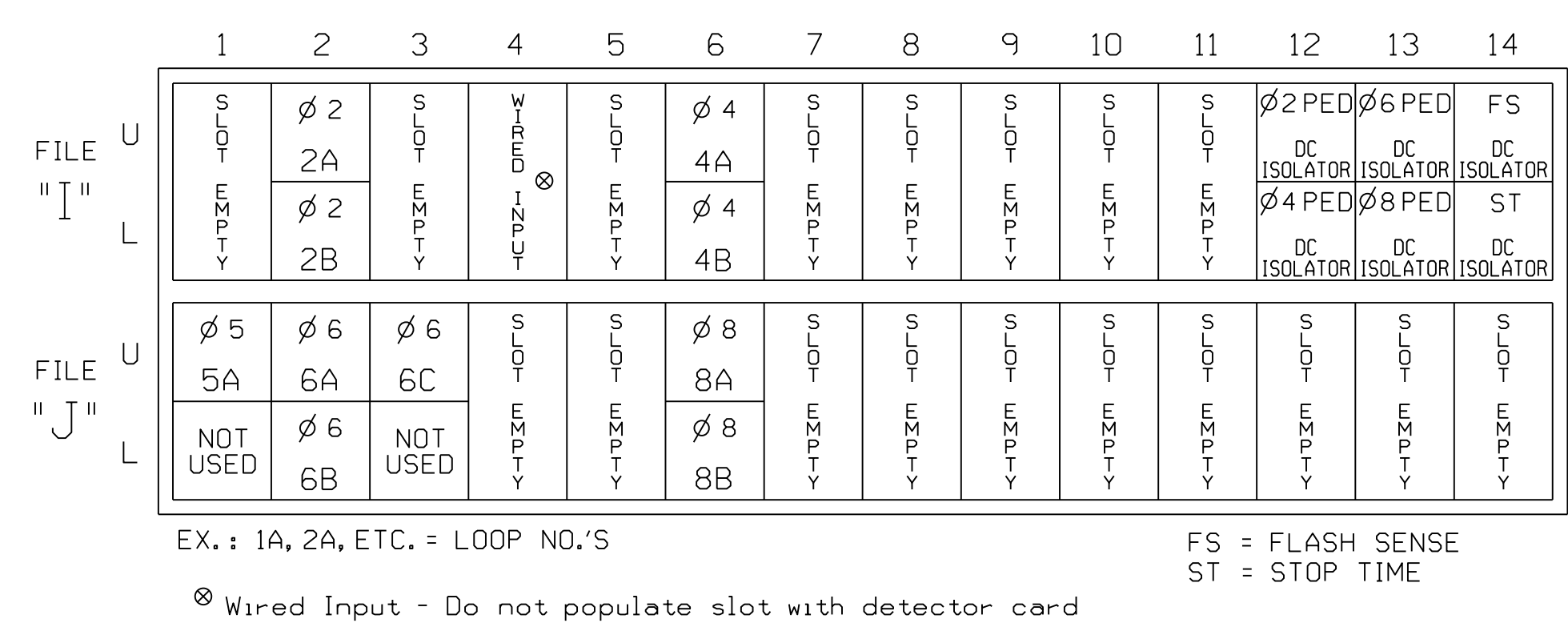
CONTROLLER.....2070LX
 CABINET.....332 W/AUX
 SOFTWARE.....ECONOLITE ASC/3-2070
 CABINET MOUNT.....BASE
 OUTPUT FILE POSITIONS...18 WITH AUX. OUTPUT FILE
 LOAD SWITCHES USED.....S2,S3,S5,S6,S7,S8,S9,S11,S12,
 AUX S1,AUX S2,AUX S4,AUX S5
 PHASES USED.....2,2 PED,4,4 PED,5,6,6 PED,8,8 PED
 OVERLAP "A".....*
 OVERLAP "B".....*
 OVERLAP "C".....*
 OVERLAP "D".....*
 * See overlap programming detail on sheet 2

SIGNAL HEAD HOOK-UP CHART

LOAD SWITCH NO.	S1	S2	S3	S4	S5	S6	S7	S8	S9	S10	S11	S12	AUX S1	AUX S2	AUX S3	AUX S4	AUX S5	AUX S6
CMU CHANNEL NO.	1	2	13	3	4	14	5	6	15	7	8	16	9	10	17	11	12	18
PHASE	1	2	2 PED	3	4	4 PED	5	6	6 PED	7	8	8 PED	OLA	OLB	SPARE	OLC	OLD	SPARE
SIGNAL HEAD NO.	NU	21,22	P21, P22	NU	42,43	P41, P42	51	62,63	P61, P62	NU	82,83	P81, P82	61	81	NU	51	41	NU
RED	128			101				134			107							
YELLOW	129			102		*	135				108							
GREEN	130			103			136				109							
RED ARROW													A121	A124		A114	A101	
YELLOW ARROW														A122	A125		A115	A102
FLASHING YELLOW ARROW														A123	A126		A116	A103
GREEN ARROW							133											
Hand icon							113		104		119			110				
Person icon							115		106		121			112				

NU = Not Used
 * Denotes install load resistor. See load resistor installation detail this sheet.
 ★ See pictorial of head wiring in detail this sheet.

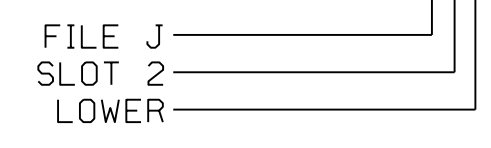
INPUT FILE POSITION LAYOUT
(front view)



INPUT FILE CONNECTION & PROGRAMMING CHART

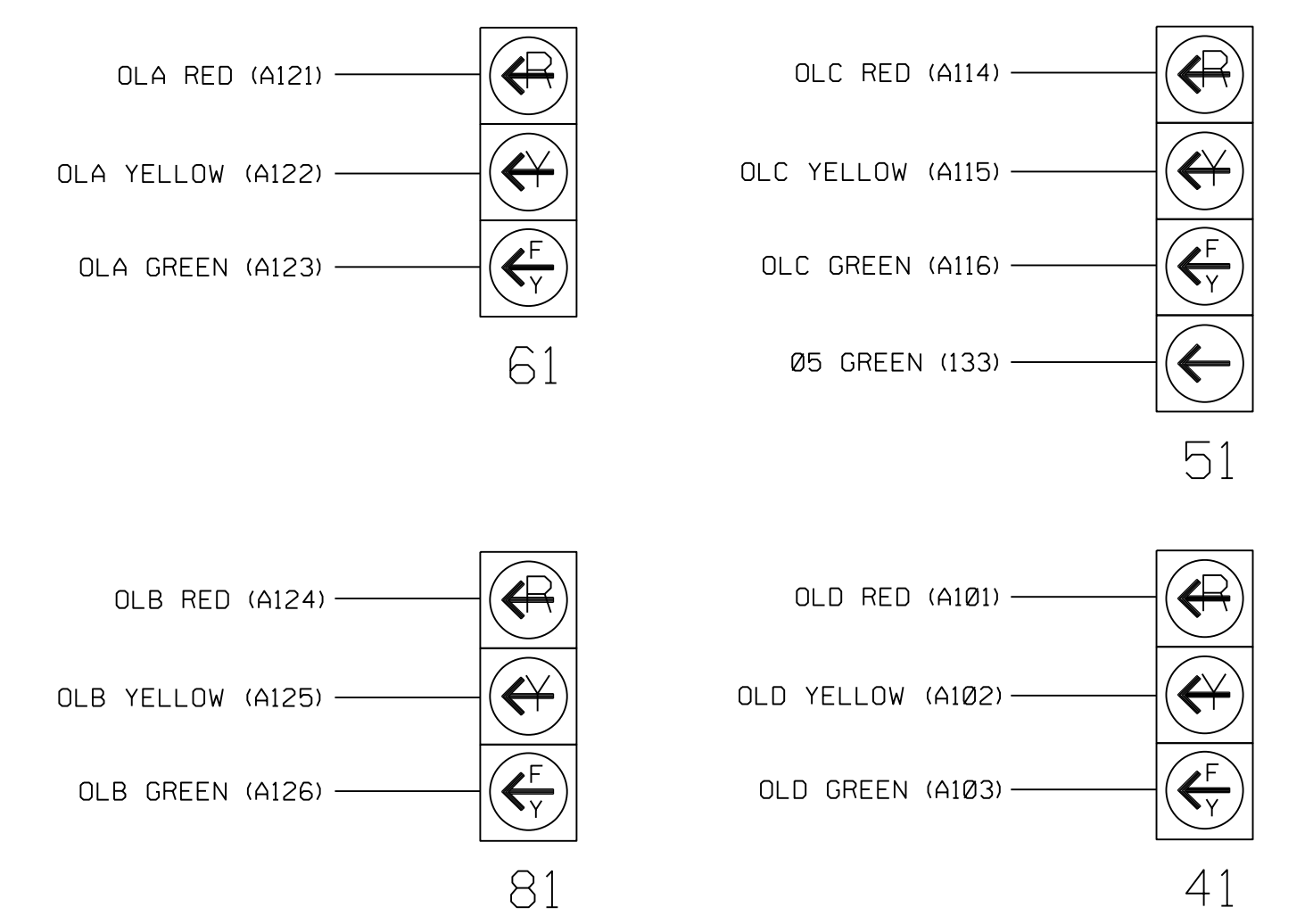
LOOP NO.	LOOP TERMINAL	INPUT FILE POS.	PIN NO.	DETECTOR NO.	NEMA PHASE	CALL	EXTEND TIME	DELAY TIME	ADDED INITIAL	DETECTOR TYPE
2A	TB2-5,6	I2U	39	2	2	YES			X	N
2B	TB2-7,8	I2L	43	12	2	YES			X	N
4A	TB4-9,10	I6U	41	4	4	YES		3		N
4B	TB4-11,12	I6L	45	14	4	YES		10		N
5A ¹	TB3-1,2	J1U	55	5	5	YES		15		N
		I4U	47	22	2	YES		3		G
6A	TB3-5,6	J2U	40	6	6	YES			X	N
6B	TB3-7,8	J2L	44	16	6	YES			X	N
6C	TB3-9,10	J3U	64	36	6	YES		3		G
8A	TB5-9,10	J6U	42	8	8	YES		3		N
8B	TB5-11,12	J6L	46	18	8	YES		10		N
PED PUSH BUTTONS										
P21,P22	TB8-4,6	I12U	67	2	2 PED					
P41,P42	TB8-5,6	I12L	69	4	4 PED					
P61,P62	TB8-7,9	I13U	68	6	6 PED					
P81,P82	TB8-8,9	I13L	70	8	8 PED					

¹Add jumper from J1-W to 14-W, on rear of input file.
 INPUT FILE POSITION LEGEND: J2L



THIS ELECTRICAL DETAIL IS FOR THE SIGNAL DESIGN: 06-1381
 DESIGNED: November 2019
 SEALED: 05/15/2020
 REVISED: N/A

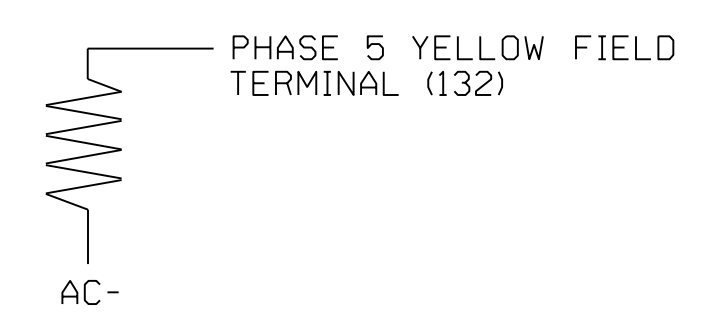
FYA SIGNAL WIRING DETAIL
(wire signal heads as shown)



LOAD RESISTOR INSTALLATION DETAIL
(install resistors as shown)

ACCEPTABLE VALUES

VALUE (ohms)	WATTAGE
1.5K - 1.9K	25W (min)
2.0K - 3.0K	10W (min)



COUNTDOWN PEDESTRIAN SIGNAL OPERATION

Countdown Ped Signals are required to display timing only during Ped Clearance Interval. Consult Ped Signal Module user's manual for instructions on selecting this feature.

5/15/2020
 R-50208-1381-1381e-dgn-dgn
 USER:MCopple

SEPI
 Engineering & Construction, Inc.
 1 Glenwood Avenue
 Raleigh, NC 27603
 Tel:919.789.9977
 Fax:919.789.9591
 License: C-2197

New Signal
 Electrical Detail - Sheet 1 of 2

DOCUMENT NOT CONSIDERED FINAL UNLESS ALL SIGNATURES COMPLETED

SEAL
 NORTH CAROLINA PROFESSIONAL ENGINEER
 M. B. COPPLE
 27771

US 701 Bypass/NC 130
 (S. J.K. Powell Boulevard)
 at
 W. Columbus Street

Division 06 Columbus County Whiteville

PLAN DATE: December 2019 REVIEWED BY:

PREPARED BY: M.B. Copple REVIEWED BY: G.G. Murr Jr

REVISIONS: INIT. DATE

750 N. Greenfield Pkwy, Garner, NC 27529

Sig. INVENTORY NO. 06-1381