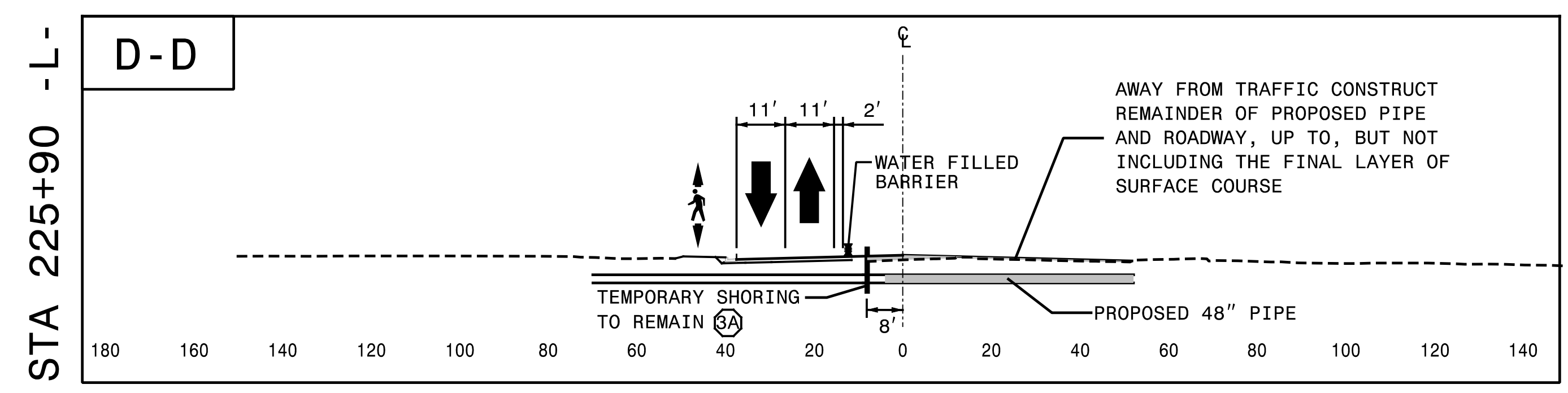
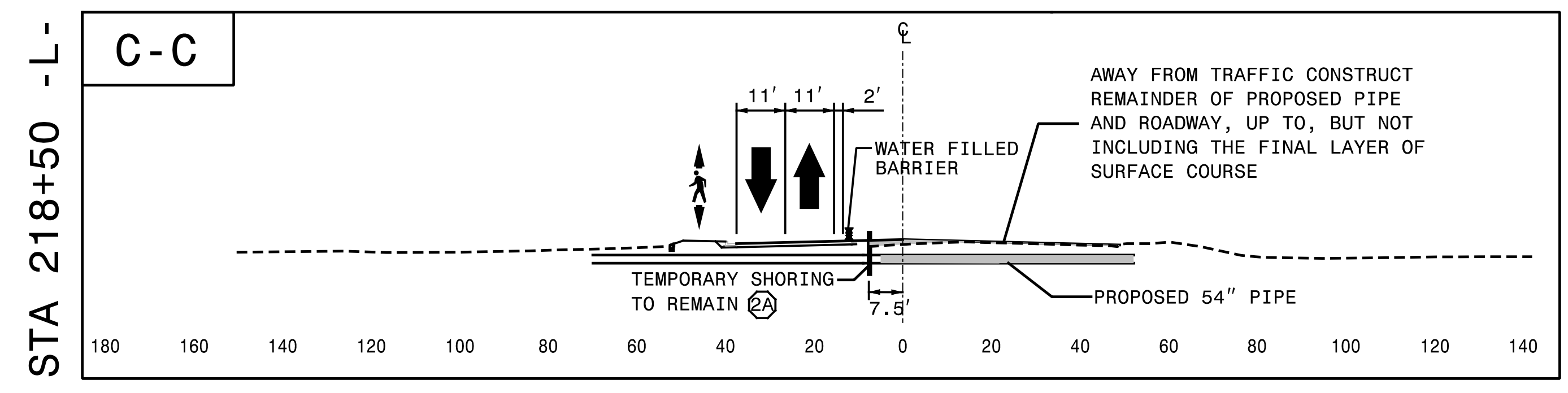
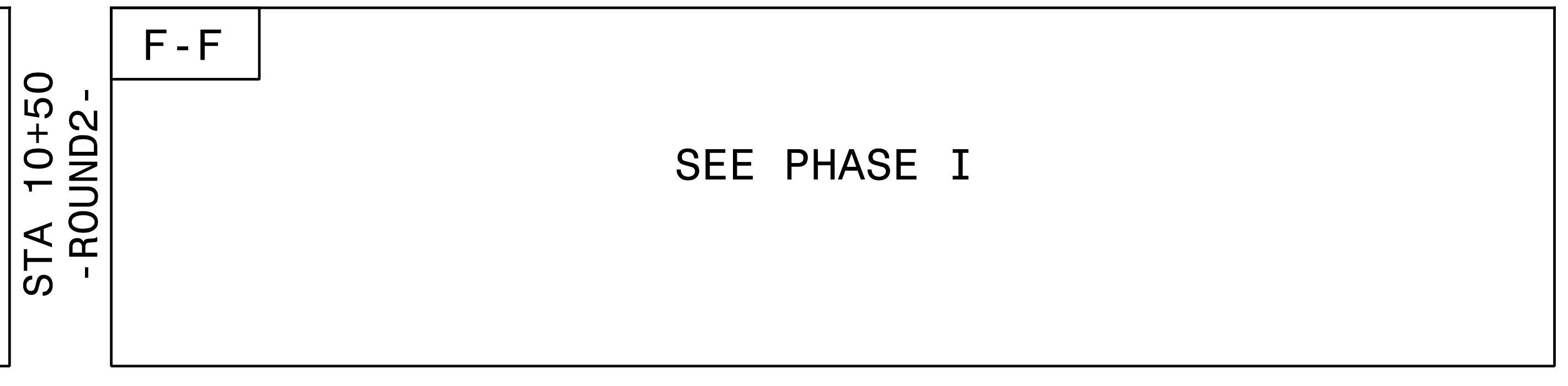
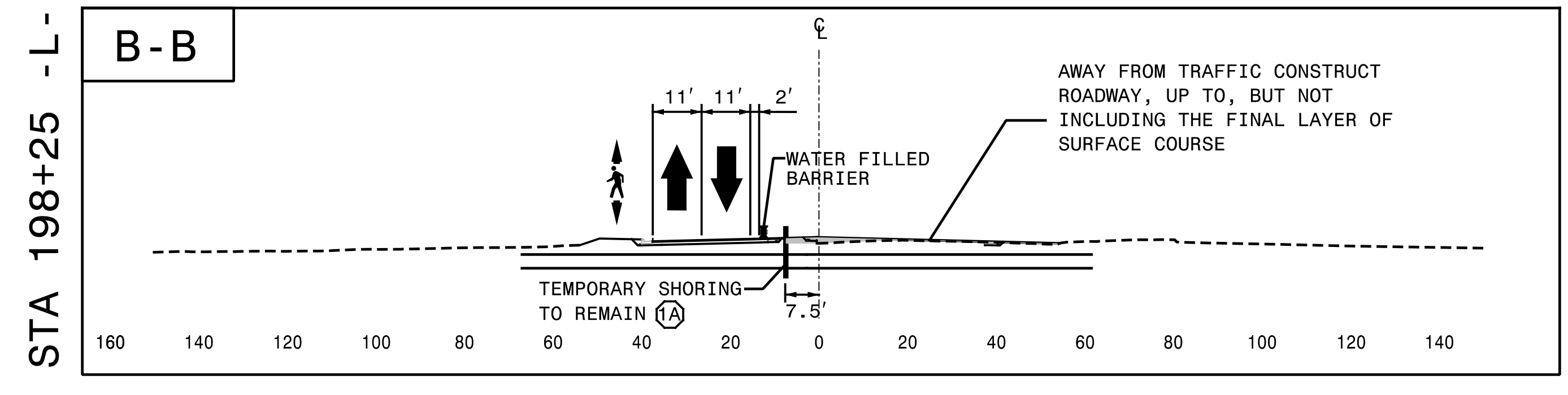
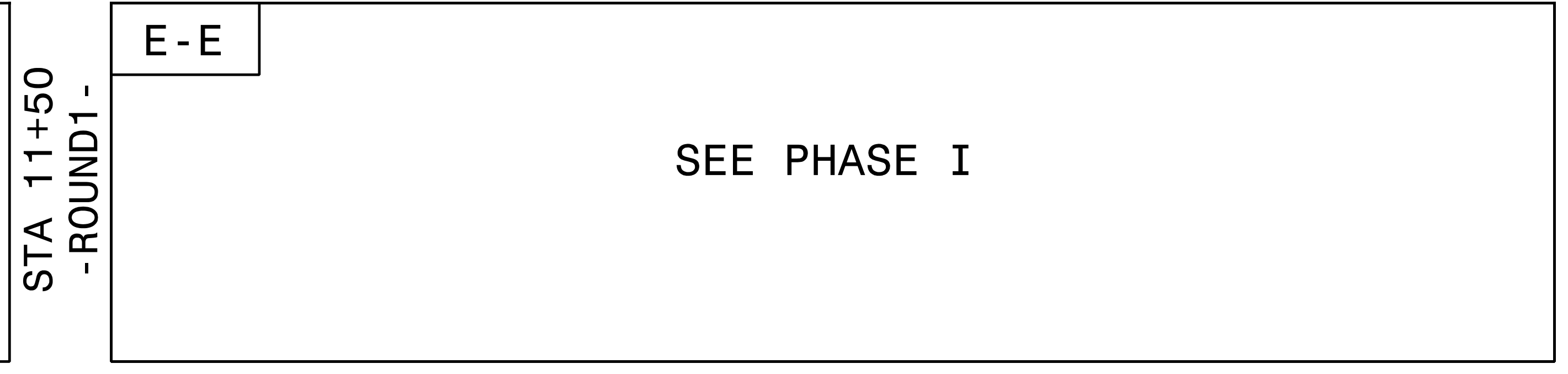
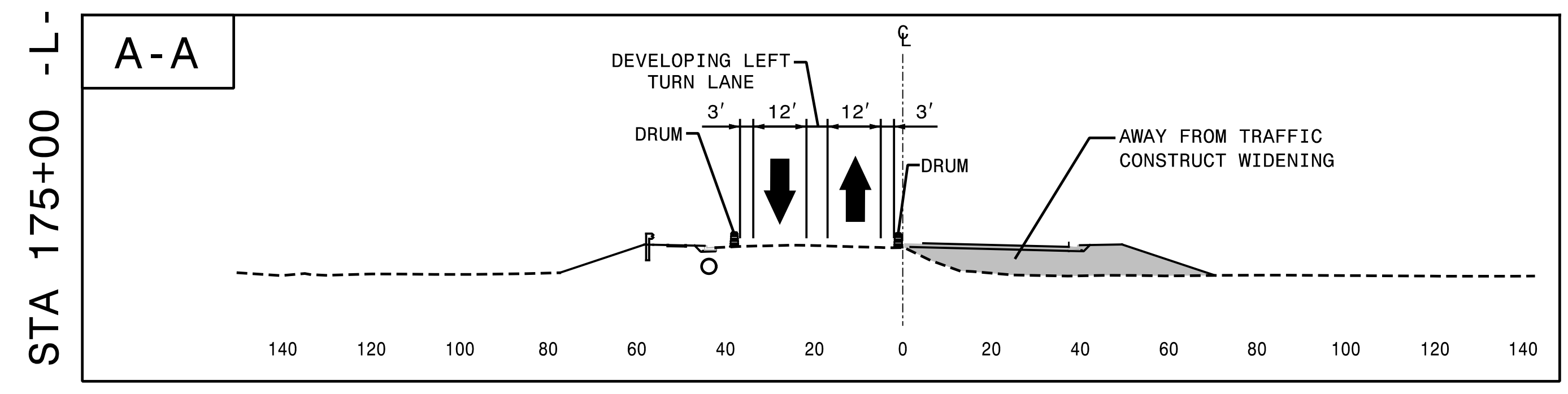
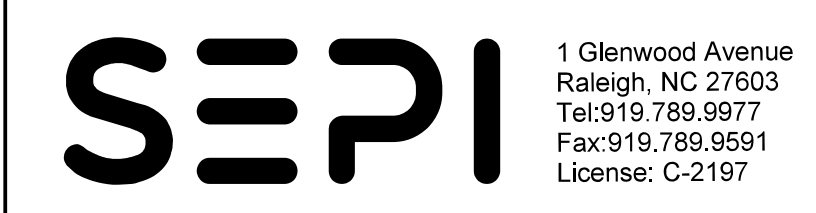


PHASE IA



6/1/2020 X:\2017\SET\135-00 R-5020B\TP\TrafficControl\TMP\R-5020B_TC_TMP-02B.dgn Screen

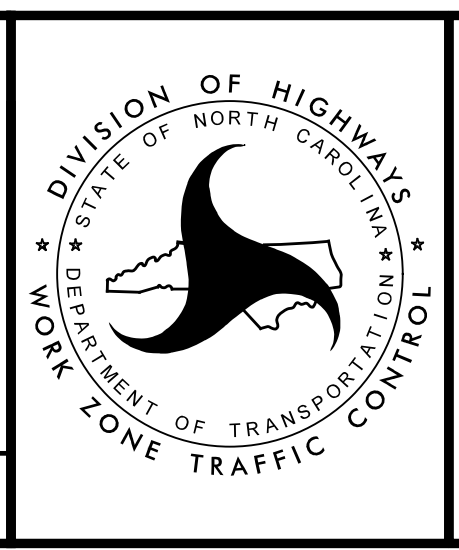


APPROVED: *Steve Miller*
DocuSigned by: Steve Miller 158342922B44A...

DATE: _____

SEAL

DOCUMENT NOT CONSIDERED FINAL UNLESS ALL SIGNATURES COMPLETED



TEMPORARY TRAFFIC CONTROL PHASE IA CUT SECTIONS