

5/19/20

COMPUTED BY: _____ DATE: _____
 CHECKED BY: _____ DATE: _____

PROJ. REFERENCE NO.	SHEET NO.
B-5666	X-0

STATE OF NORTH CAROLINA DIVISION OF HIGHWAYS

Approximate quantities only. Unclassified excavation, fine grading, clearing and grubbing, breaking of existing asphalt pavement and removal of existing asphalt pavement will be paid for at the lump sum price for "Grading".

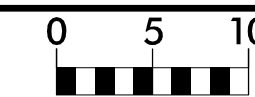
CROSS-SECTION SUMMARY

Note: Embankment column does not include backfill for undercut

Station	Uncl. Exc.	Embt										
L	(cu. yd.)	(cu. yd.)										
10+00.00	0	0										
10+50.00	1	3										
11+00.00	0	18										
11+50.00	0	38										
12+00.00	0	86										
12+50.00	0	184										
13+00.00	11	315										
13+50.00	28	480										
14+00.00	36	688										
14+50.00	37	931										
15+00.00	33	1146										
15+50.00	33	1294										
16+00.00	31	1457										
16+40.00	16	1284										
16+42.50	0	63										
Station	Uncl. Exc.	Embt										
L	(cu. yd.)	(cu. yd.)										
18+33.00	0	0										
18+35.50	0	90										
18+50.00	0	673										
19+00.00	0	2091										
19+50.00	0	1967										
20+00.00	3	2066										
20+50.00	3	2220										
21+00.00	13	1990										
21+50.00	42	1530										
22+00.00	47	1266										
22+50.00	28	973										
23+00.00	33	604										
23+50.00	43	326										
24+00.00	19	161										
24+50.00	0	38										
25+00.00	6	3										
25+30.00	3	1										
Station	Uncl. Exc.	Embt										
DW1	(cu. yd.)	(cu. yd.)										
10+20.00	0	0										
10+50.00	0	271										
11+00.00	0	271										
11+50.00	1	85										
11+65.39	0	1										

D:\A\FB\2020\B28
 M:\2018\051001\22 B-5666\Roadway\CorridorModeling\B5666_Rdy_XSC-X-0.dgn
 5/19/2020 1:28:13 PM
 1:28:13 PM

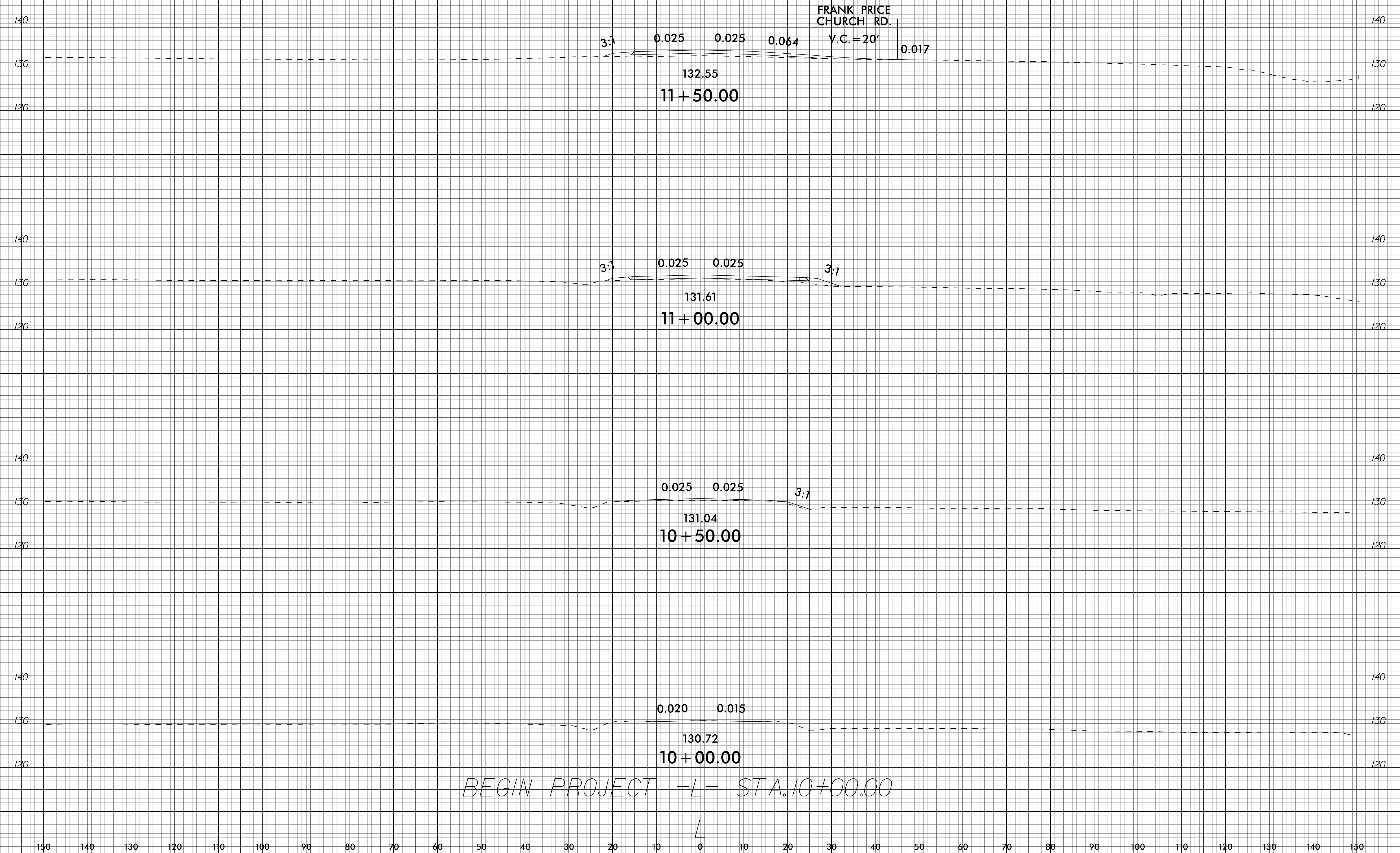
6/23/16



PROJ. REFERENCE NO.
B-5666

SHEET NO.
X-1

150 140 130 120 110 100 90 80 70 60 50 40 30 20 10 0 10 20 30 40 50 60 70 80 90 100 110 120 130 140 150



FRANK PRICE
CHURCH RD.
Y.C. = 20'

3:1 0.025 0.025 0.064 0.017

132.55
11 + 50.00

3:1 0.025 0.025 3:1

131.61
11 + 00.00

0.025 0.025 3:1

131.04
10 + 50.00

0.020 0.015

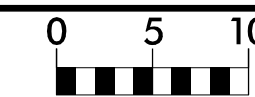
130.72
10 + 00.00

BEGIN PROJECT -L- STA. 10+00.00

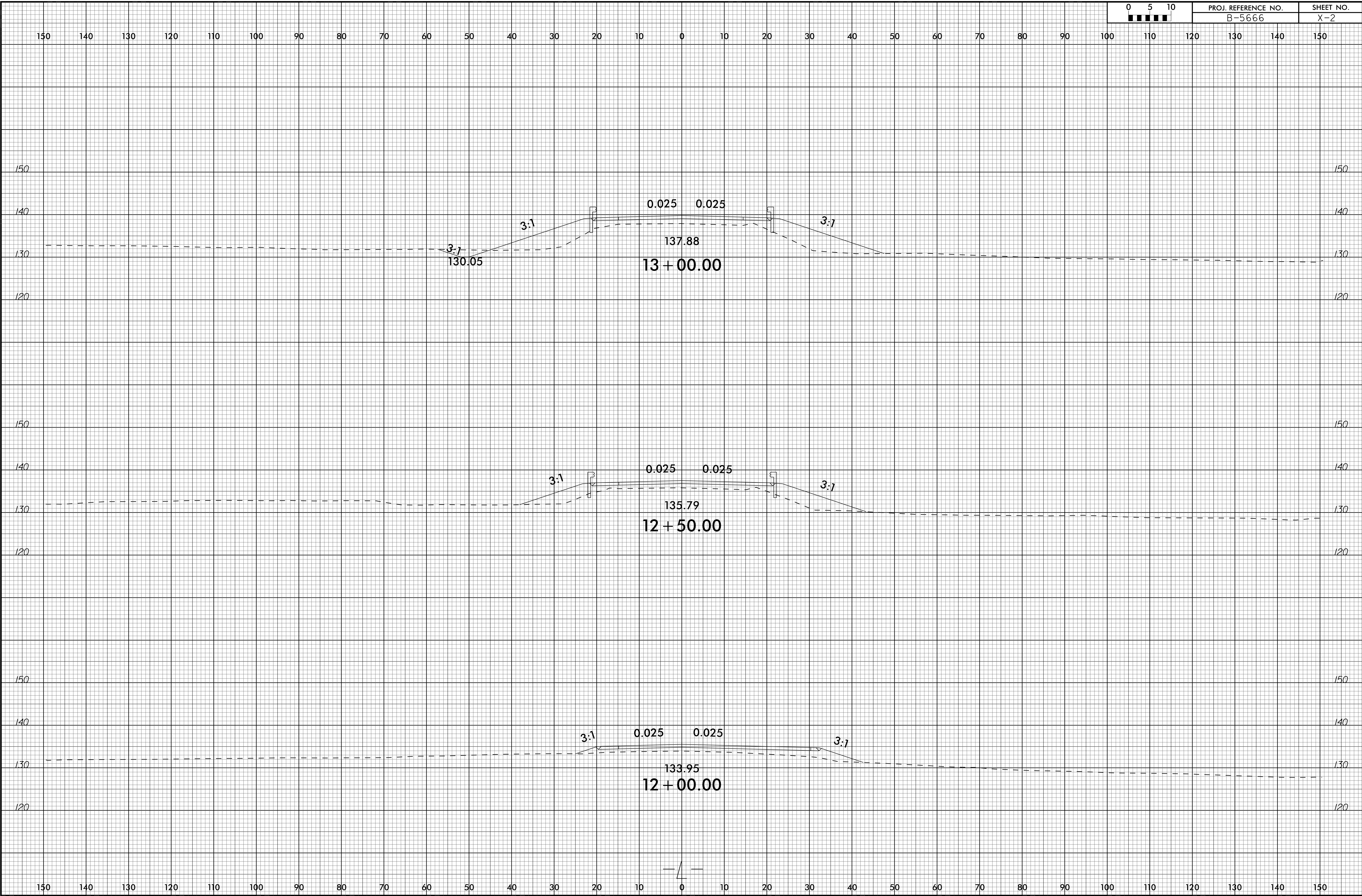
150 140 130 120 110 100 90 80 70 60 50 40 30 20 10 0 10 20 30 40 50 60 70 80 90 100 110 120 130 140 150

07-APR-2020 13:28
\\s01812101\018014522 B-5666\Roadway\Corridor-Modeling\B-5666_Rdy_xpl.dgn

6/23/16

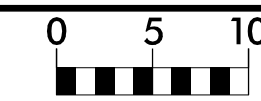


PROJ. REFERENCE NO.	SHEET NO.
B-5666	X-2



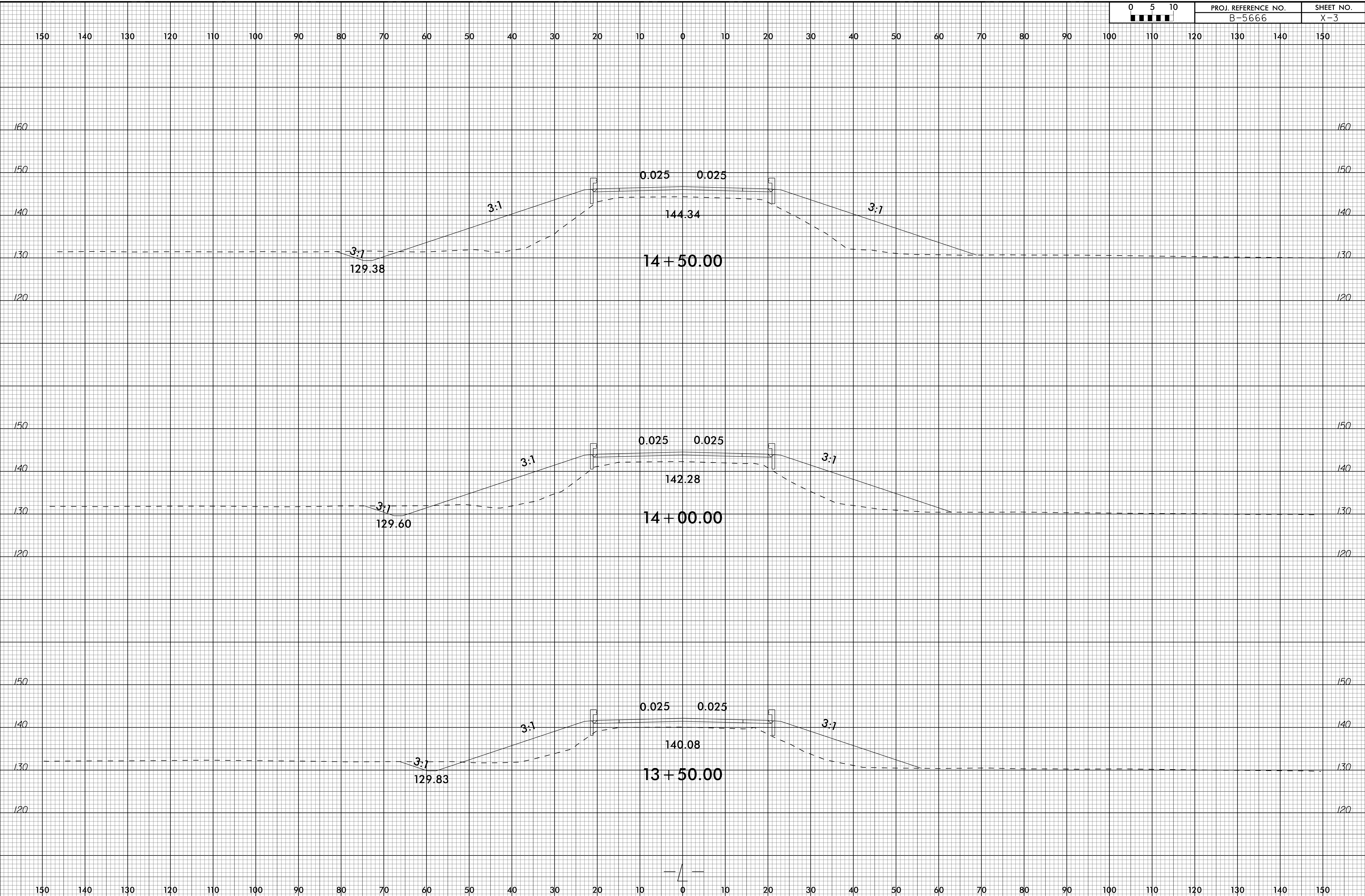
07-APR-2020 13:28
 \\s01r1\work\18014522 B-5666\Roadway\Corridor-Modeling\B-5666_Rdy_xpl.dgn
 3:30:38

6/23/16



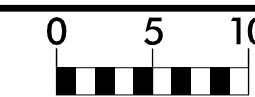
PROJ. REFERENCE NO.
B-5666

SHEET NO.
X-3



07-APR-2020 13:28
 \\s01r1\work\180145_22 B-5666\Roadway\Corridor Modeling\B-5666_Rdy_xpl.dgn
 3:30:38

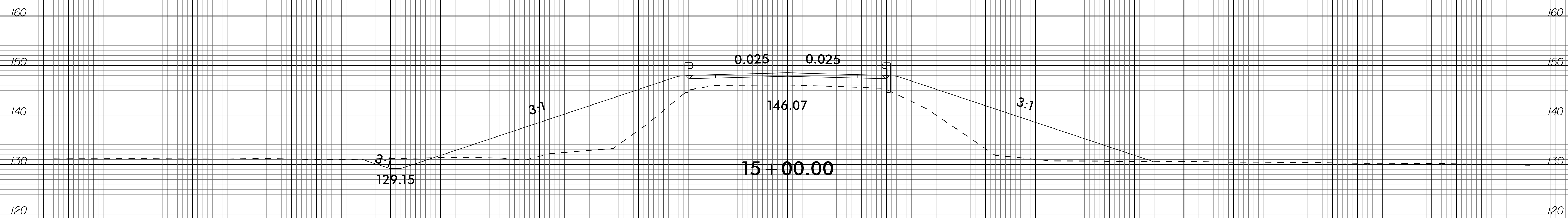
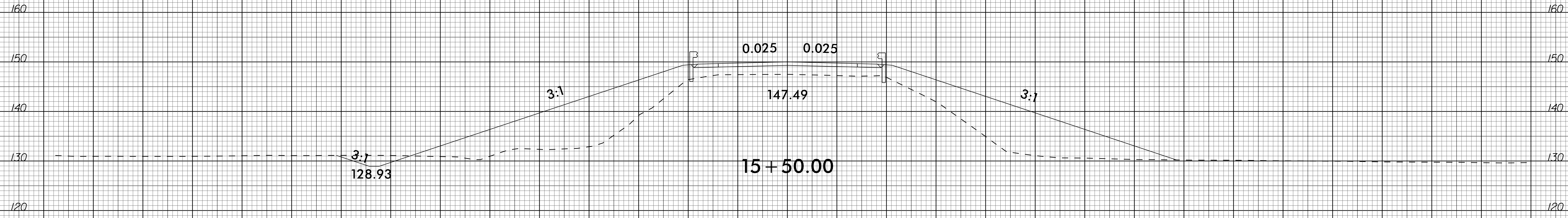
6/23/16



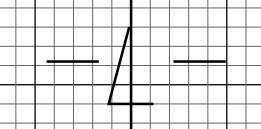
PROJ. REFERENCE NO.
B-5666

SHEET NO.
X-4

150 140 130 120 110 100 90 80 70 60 50 40 30 20 10 0 10 20 30 40 50 60 70 80 90 100 110 120 130 140 150

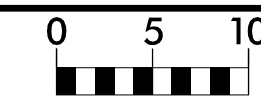


07-APR-2020 13:28
\\s01812\1\0180145_22 B-5666\Roadway\Corridor Modeling\B-5666_Rdy_xpl.dgn

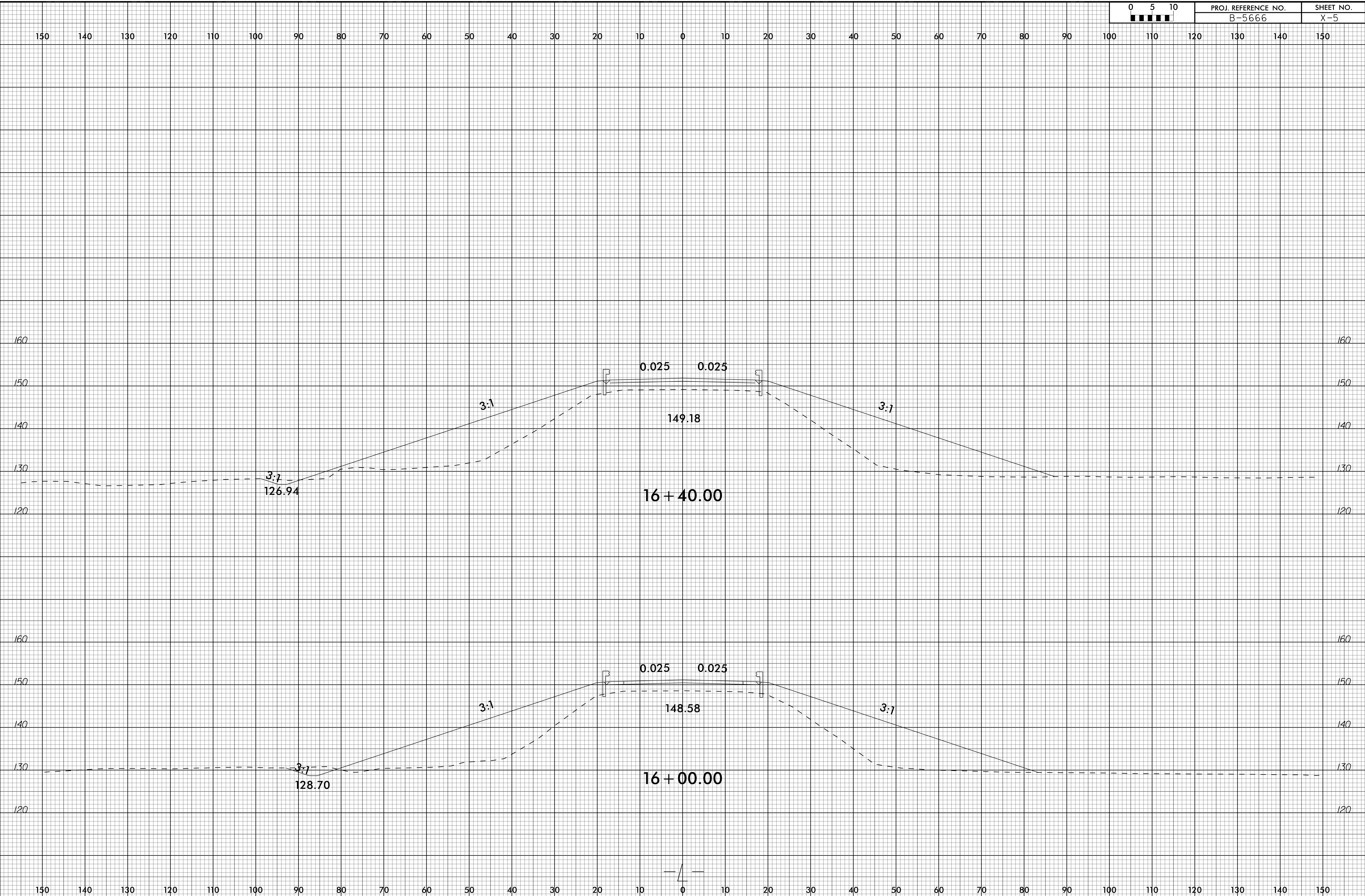


150 140 130 120 110 100 90 80 70 60 50 40 30 20 10 0 10 20 30 40 50 60 70 80 90 100 110 120 130 140 150

6/23/16

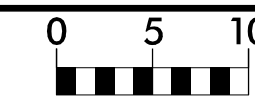


PROJ. REFERENCE NO.	SHEET NO.
B-5666	X-5



07-APR-2020 13:28
 S:\0181\20180145_22 B-5666\Roadway\Corridor Modeling\B-5666_Rdy_xpl.dgn
 B-5666_Rdy_xpl.dgn

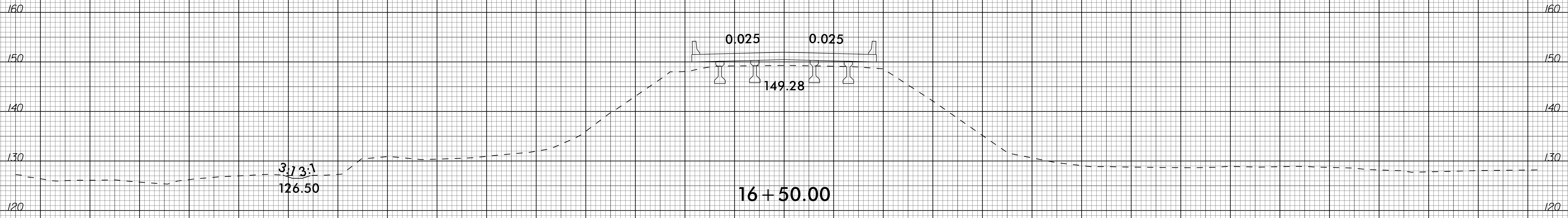
6/23/16



PROJ. REFERENCE NO.
B-5666

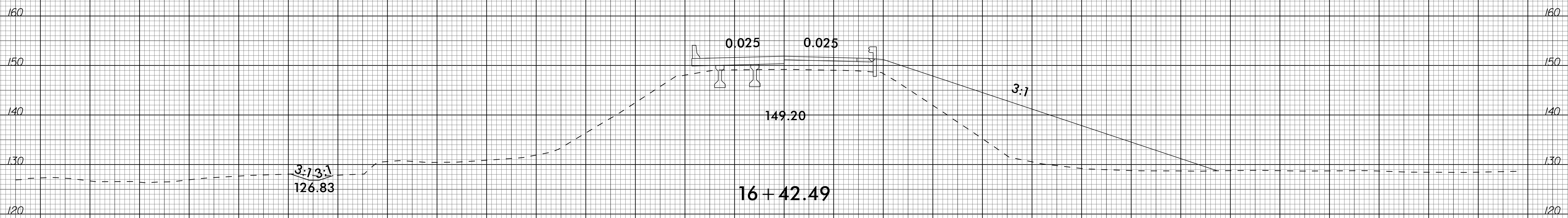
SHEET NO.
X-6

150 140 130 120 110 100 90 80 70 60 50 40 30 20 10 0 10 20 30 40 50 60 70 80 90 100 110 120 130 140 150



16 + 50.00

BEGIN BRIDGE -L- STA. 16+42.50

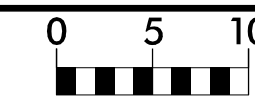


16 + 42.49

07-APR-2020 13:28
\\s018121\018014522 B-5666\Roadway\Corridor-Modeling\B-5666_Rdy_xpl.dgn
3:30:38

150 140 130 120 110 100 90 80 70 60 50 40 30 20 10 0 10 20 30 40 50 60 70 80 90 100 110 120 130 140 150

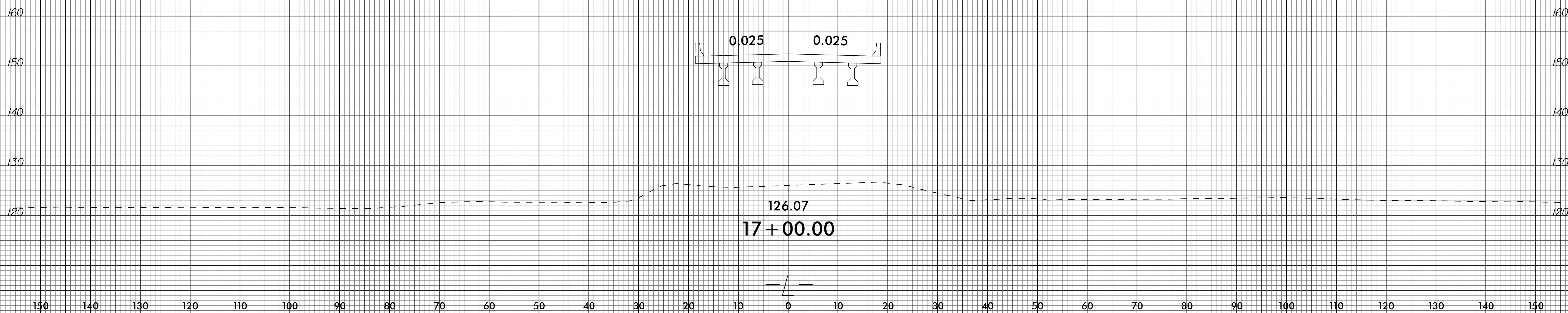
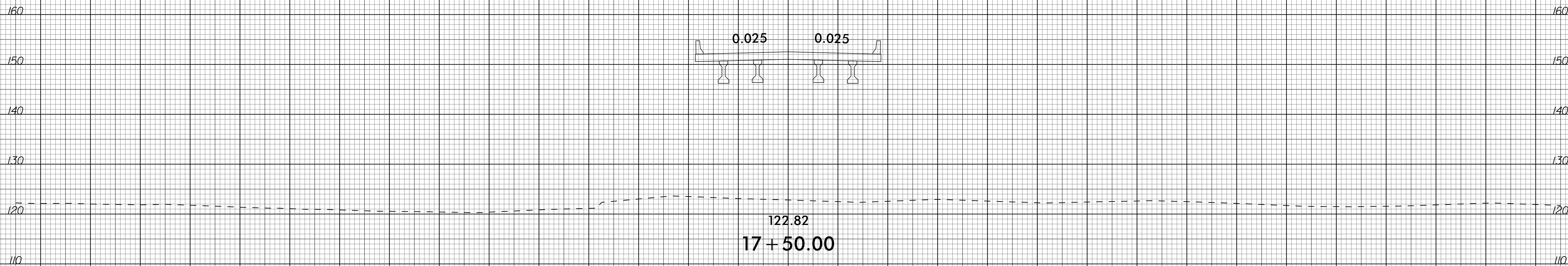
6/23/16



PROJ. REFERENCE NO.
B-5666

SHEET NO.
X-7

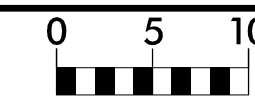
150 140 130 120 110 100 90 80 70 60 50 40 30 20 10 0 10 20 30 40 50 60 70 80 90 100 110 120 130 140 150



150 140 130 120 110 100 90 80 70 60 50 40 30 20 10 0 10 20 30 40 50 60 70 80 90 100 110 120 130 140 150

07-APR-2020 13:28
\\s0181\work\180145\22 B-5666\Roadway\Corridor Modeling\B-5666_Rdy_xpl.dgn
B-5666_Rdy_xpl.dgn

6/23/16

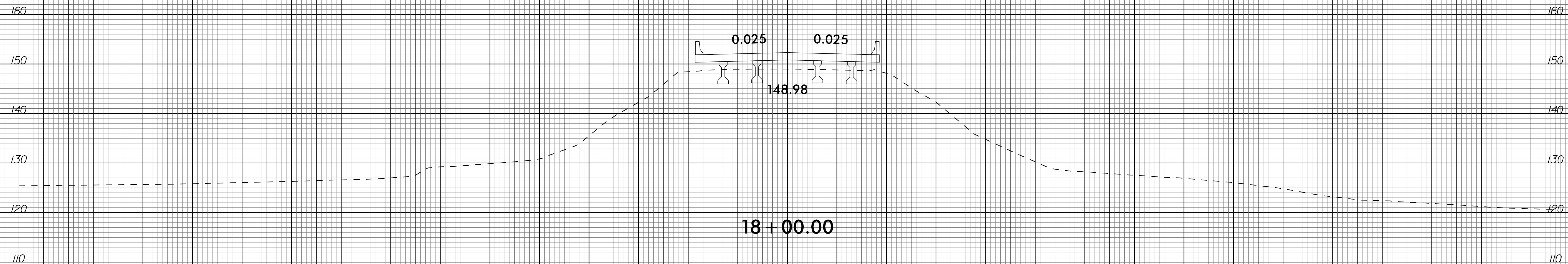
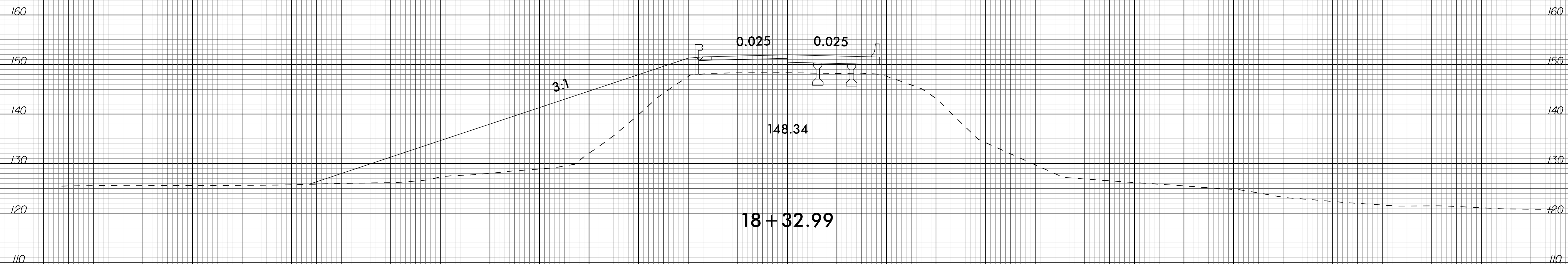


PROJ. REFERENCE NO.
B-5666

SHEET NO.
X-8

150 140 130 120 110 100 90 80 70 60 50 40 30 20 10 0 10 20 30 40 50 60 70 80 90 100 110 120 130 140 150

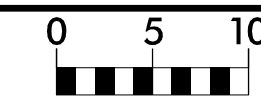
END BRIDGE -L- STA. 18+33.00



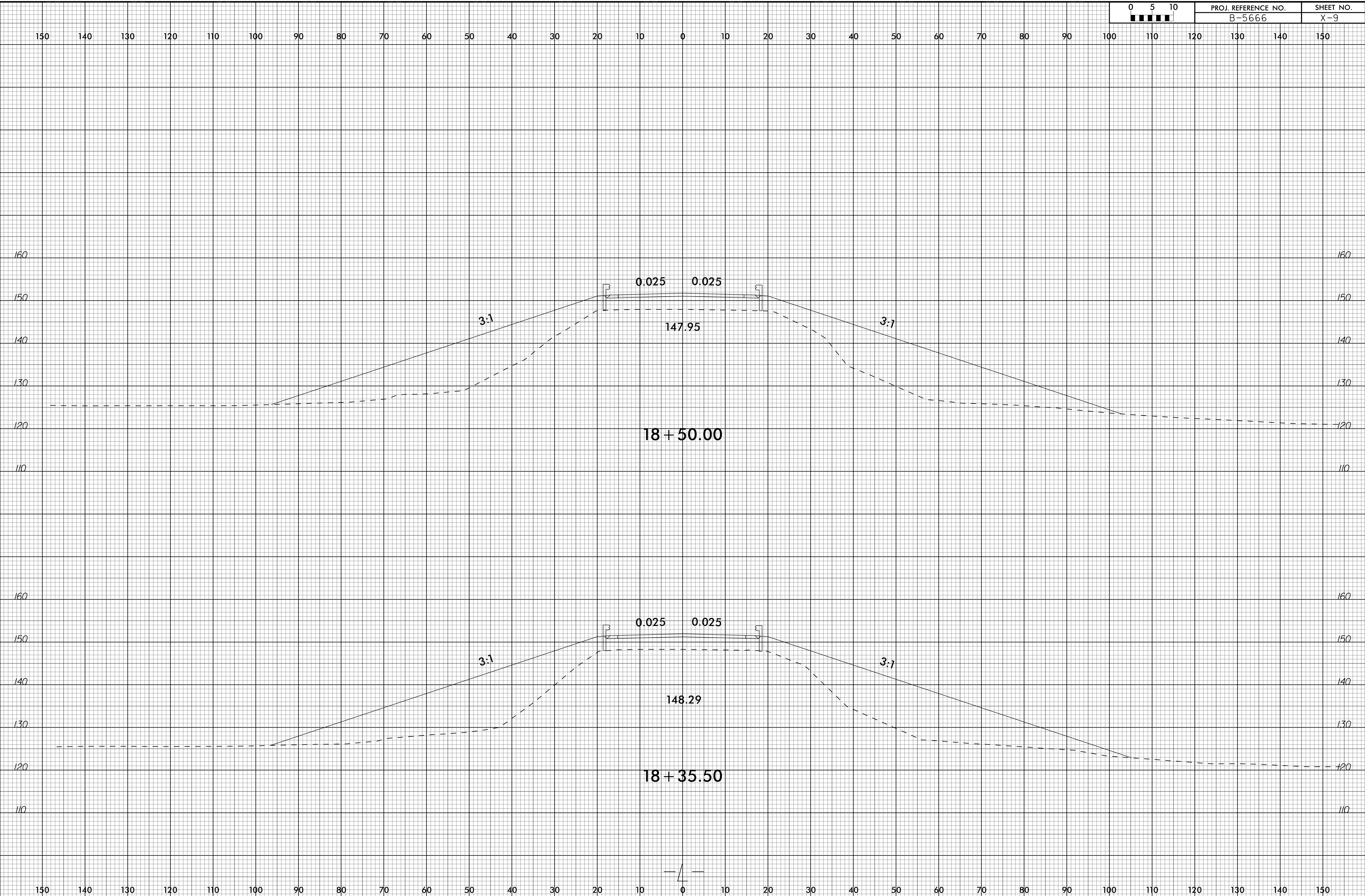
07-APR-2020 13:28
\\s:\018\180145_22 B-5666\Roadway\Corridor Modeling\B-5666_Rdy_xpl.dgn
330321414522

150 140 130 120 110 100 90 80 70 60 50 40 30 20 10 0 10 20 30 40 50 60 70 80 90 100 110 120 130 140 150

6/23/16



PROJ. REFERENCE NO.	SHEET NO.
B-5666	X-9



07-APR-2020 13:28
 \\s0181\work\180145_22 B-5666\Roadway\Corridor Modeling\B-5666_Rdy_xpl.dgn
 3:30:38

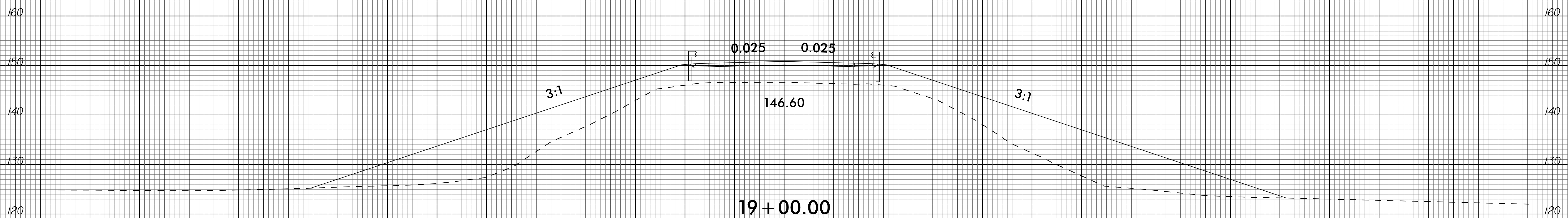
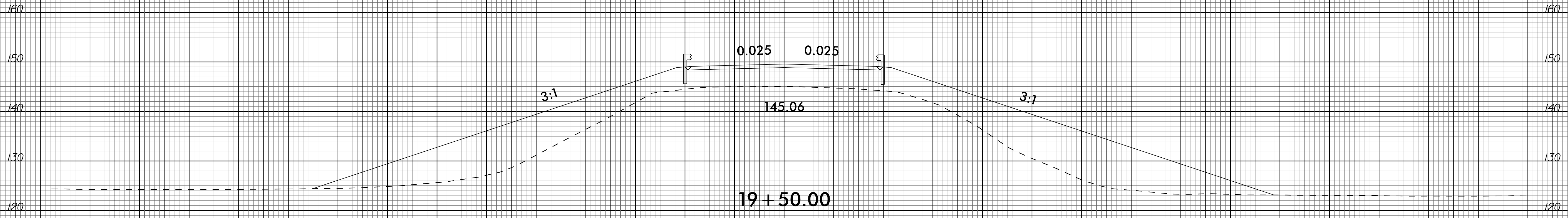
6/23/16



PROJ. REFERENCE NO.
B-5666

SHEET NO.
X-10

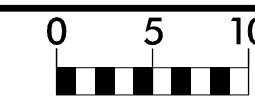
150 140 130 120 110 100 90 80 70 60 50 40 30 20 10 0 10 20 30 40 50 60 70 80 90 100 110 120 130 140 150



150 140 130 120 110 100 90 80 70 60 50 40 30 20 10 0 10 20 30 40 50 60 70 80 90 100 110 120 130 140 150

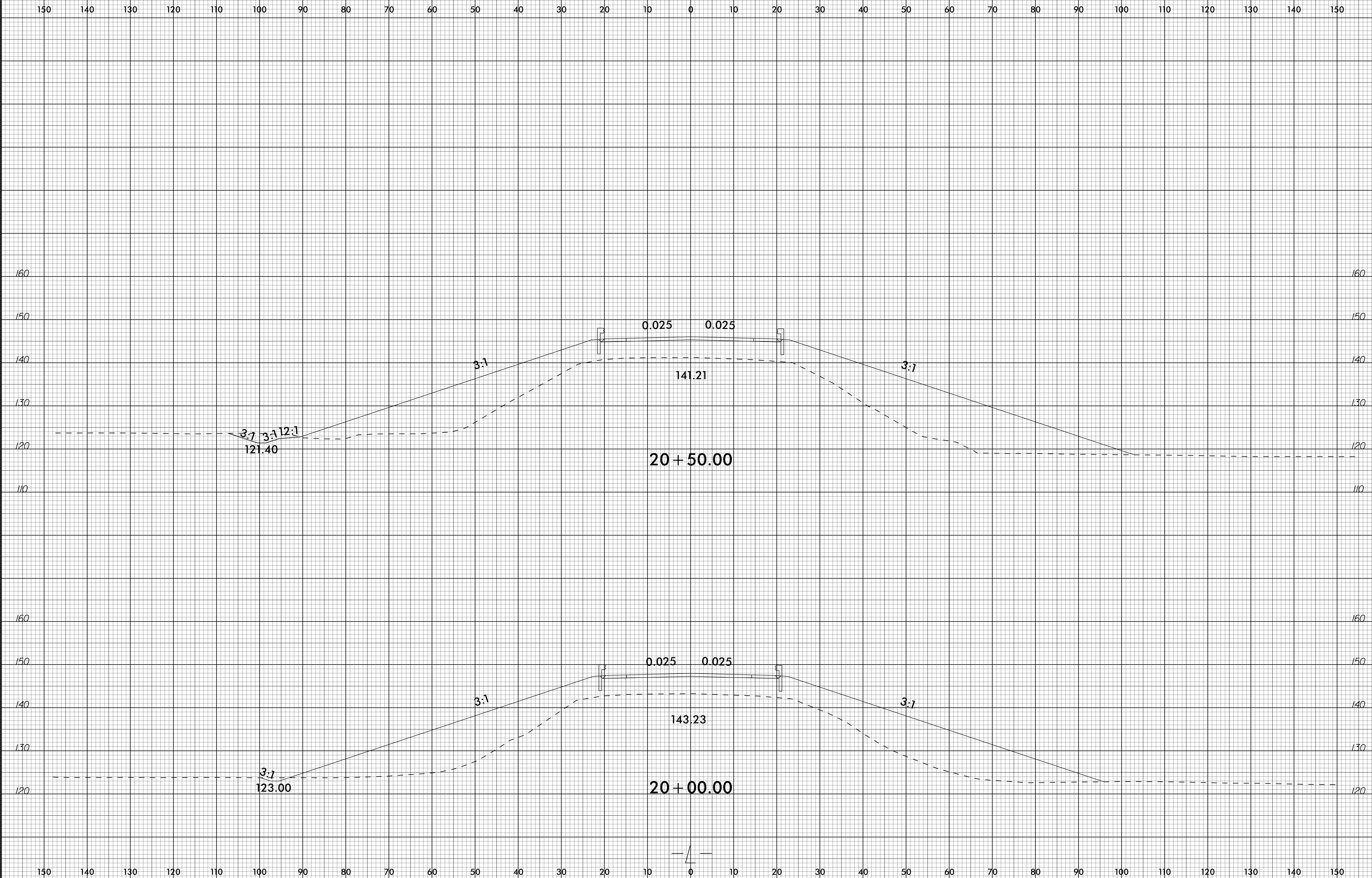
07-APR-2020 13:28
 \\s01r1\work\B-5666\Roadway\CorridorModeling\B-5666_Rdy_xpl.dgn
 3303214145.22
 3303214145.22

6/23/16



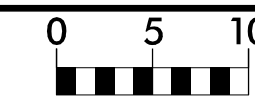
PROJ. REFERENCE NO.
B-5666

SHEET NO.
X-11



07-APR-2020 13:28
 S:\2018\180145\22 B-5666\Roadway\Corridor-Modeling\B-5666_Rdy_xpl.dgn
 3:30:33 PM

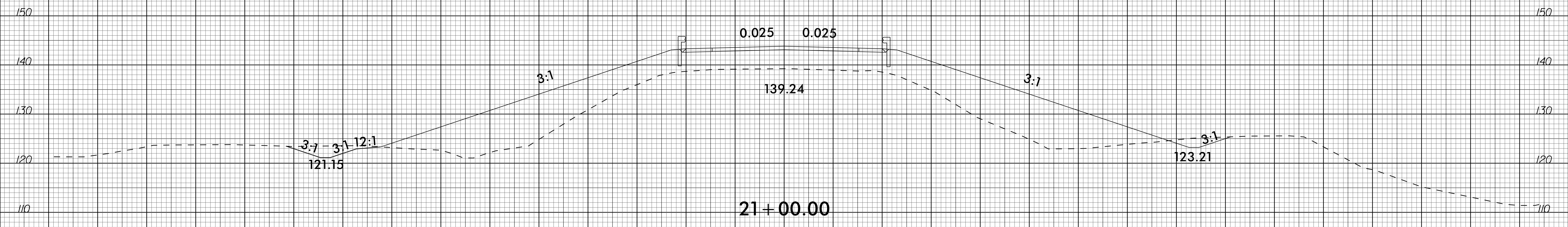
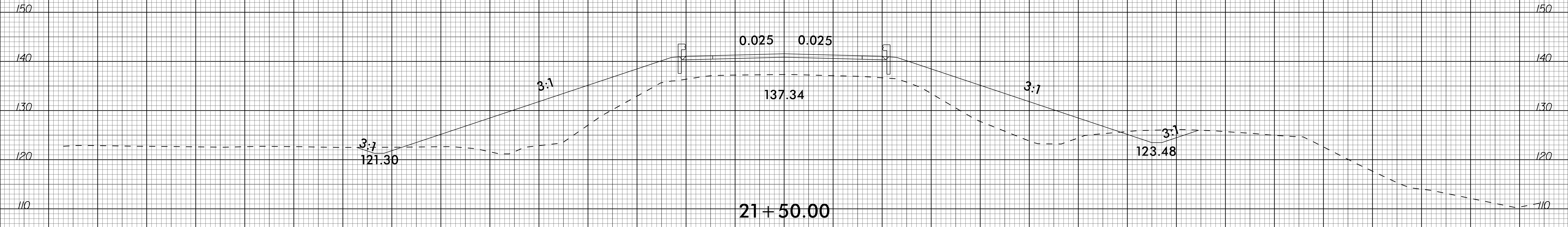
6/23/16



PROJ. REFERENCE NO.
B-5666

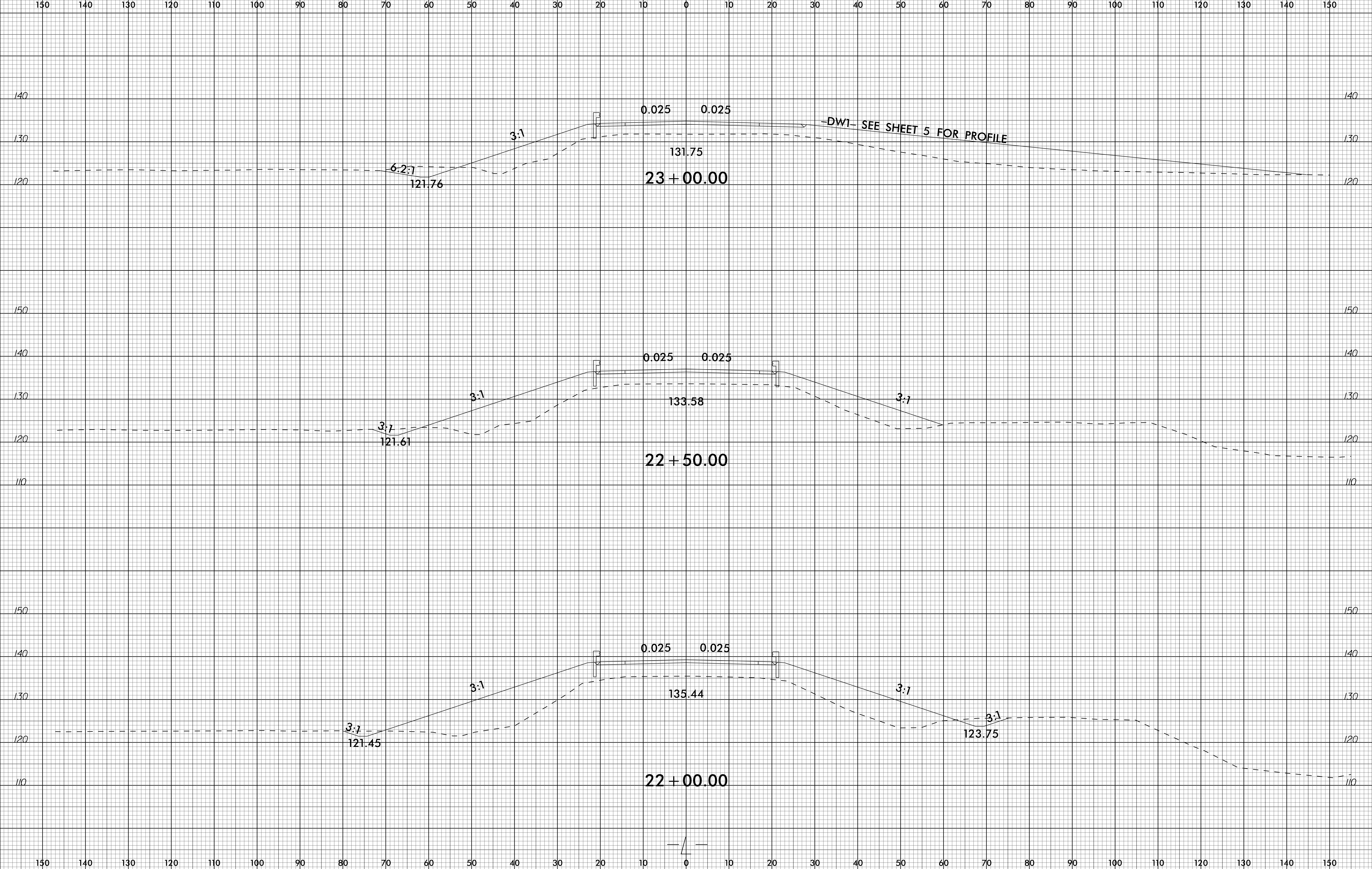
SHEET NO.
X-12

150 140 130 120 110 100 90 80 70 60 50 40 30 20 10 0 10 20 30 40 50 60 70 80 90 100 110 120 130 140 150

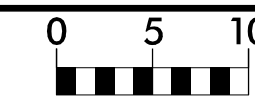


150 140 130 120 110 100 90 80 70 60 50 40 30 20 10 0 10 20 30 40 50 60 70 80 90 100 110 120 130 140 150

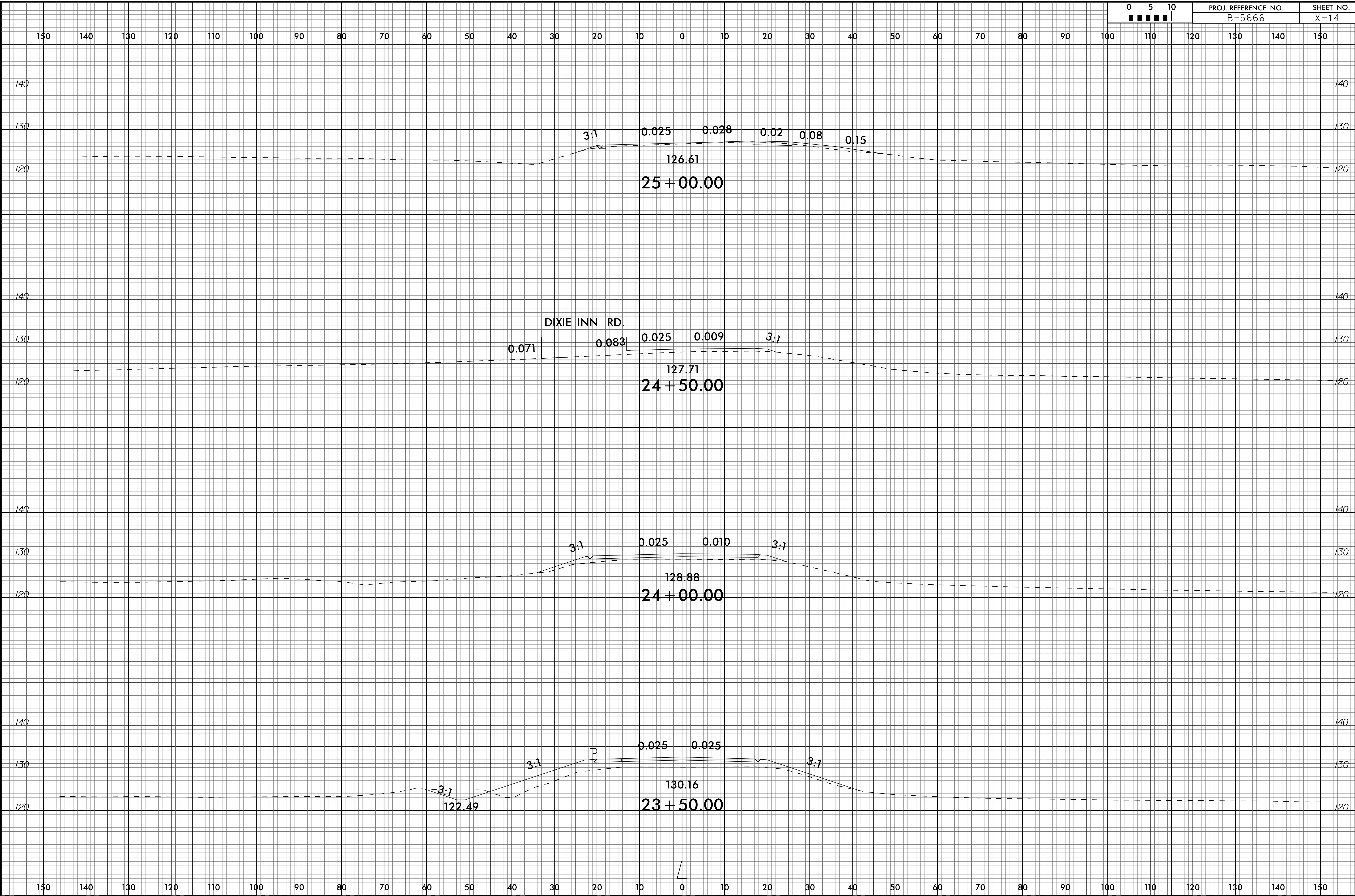
07-APR-2020 13:28
 \\s0181\1\10180145_22 B-5666\Roadway\Corridor Modeling\B-5666_Rdy_xpl.dgn
 3:30:38



6/23/16

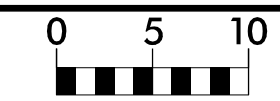


PROJ. REFERENCE NO.	SHEET NO.
B-5666	X-14



07-APR-2020 13:28
 \\s01r1\work\180145_22 B-5666\Roadway\Corridor Modeling\B-5666_Rdy_xpl.dgn
 3:30:53 PM

6/23/16



PROJ. REFERENCE NO.
B-5666

SHEET NO.
X-15

150 140 130 120 110 100 90 80 70 60 50 40 30 20 10 0 10 20 30 40 50 60 70 80 90 100 110 120 130 140 150

END PROJECT -L- STA. 25+30.00

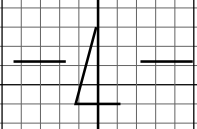
140 140

130 130

120 120

0.035 0.041

126.01
25 + 30.00



150 140 130 120 110 100 90 80 70 60 50 40 30 20 10 0 10 20 30 40 50 60 70 80 90 100 110 120 130 140 150

07-APR-2020 13:28
 \\s0181\work\180145\22 B-5666\Roadway\Corridor-Modeling\B-5666_Rdy_xpl.dgn
 B-5666_Rdy_xpl.dgn