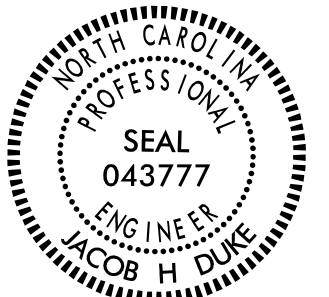



T.I.P.: 17BP.1.R.90

**STATE OF NORTH CAROLINA
DEPARTMENT OF TRANSPORTATION**

**PAVEMENT MARKING PLAN
NORTHAMPTON COUNTY**

TIP NO. 17BP.1.R.90	SHEET NO. PMP-1
APPROVED: _____	
DATE: _____	
SEAL 3/11/2021	
	
DocuSigned by:  29530C8054E84D9	
DOCUMENT NOT CONSIDERED FINAL UNLESS ALL SIGNATURES COMPLETED	

ROADWAY STANDARD DRAWING

THE FOLLOWING ROADWAY STANDARDS AS APPEAR IN "ROADWAY STANDARD DRAWINGS" - PROJECT SERVICES UNIT - N.C. DEPARTMENT OF TRANSPORTATION - RALEIGH, N.C., DATED JANUARY 2018 ARE APPLICABLE TO THIS PROJECT AND BY REFERENCE HEREBY ARE CONSIDERED A PART OF THESE PLANS:

STD. NO.	TITLE
1205.01	PAVEMENT MARKINGS - LINE TYPES AND OFFSETS
1205.02	PAVEMENT MARKINGS - TWO-LANE AND MULTILANE ROADWAYS
1205.12	PAVEMENT MARKINGS - BRIDGES
1261.01	GUARDRAIL AND BARRIER DELINEATORS - INSTALLATION SPACING
1261.02	GUARDRAIL AND BARRIER DELINEATORS - TYPES AND MOUNTING
1262.01	GUARDRAIL END DELINEATION

GENERAL NOTES

THE FOLLOWING GENERAL NOTES APPLY AT ALL TIMES FOR THE DURATION OF THE CONSTRUCTION PROJECT, EXCEPT WHEN OTHERWISE NOTED IN THE PLAN, OR DIRECTED BY THE ENGINEER.

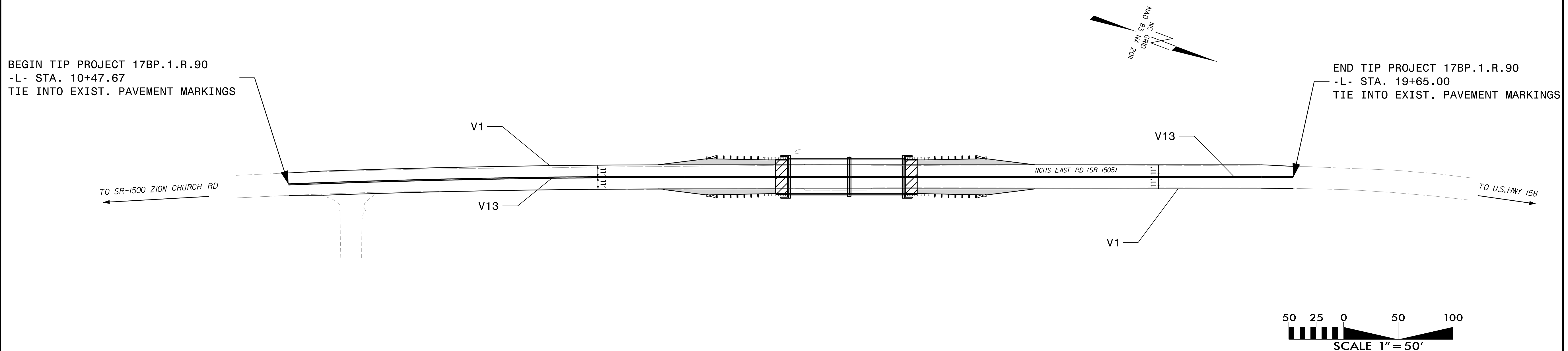
- A) INSTALL PAVEMENT MARKINGS AND PAVEMENT MARKERS ON THE FINAL SURFACE AS FOLLOWS:

ROAD NAME	MARKING	MARKER
SR 1505 (NCHS EAST RD.)	POLYUREA	NONE
- B) TIE PROPOSED PAVEMENT MARKING LINES TO EXISTING PAVEMENT MARKING LINES.
- C) REMOVE/REPLACE ANY CONFLICTING/DAMAGED PAVEMENT MARKINGS AND MARKERS.
- D) FOR EXTRUDED THERMOPLASTIC PAVEMENT MARKING THICKNESS, SEE SPECIAL PROVISIONS.

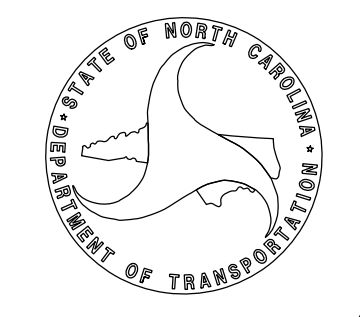
PAVEMENT MARKING SCHEDULE

SYMBOL	DESCRIPTION	QUANTITY
V1	WHITE EDGELINE (4", 20 MIL)	1835 LF
V13	YELLOW DOUBLE CENTER (4", 20 MIL)	1835 LF

PAVEMENT MARKING DETAIL



PLAN SUBMITTED TO:
DERRICK H. BEARD - SIGNING AND DELINEATION PROJECT DESIGN ENGINEER



PLAN PREPARED BY: KISINGER CAMPO AND ASSOCIATES
JACOB H. DUKE, PE PROJECT ENGINEER
ALLEN McSWAIN PROJECT DESIGNER

KCA
KISINGER CAMPO & ASSOCIATES

NC FIRM LICENSE No: C-1506
301 Fayetteville St., Suite 1500
Raleigh, NC 27601
(919) 882-7839