
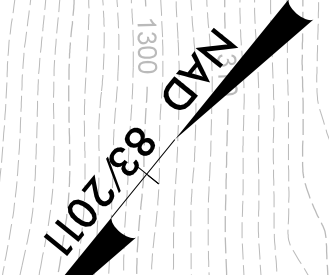
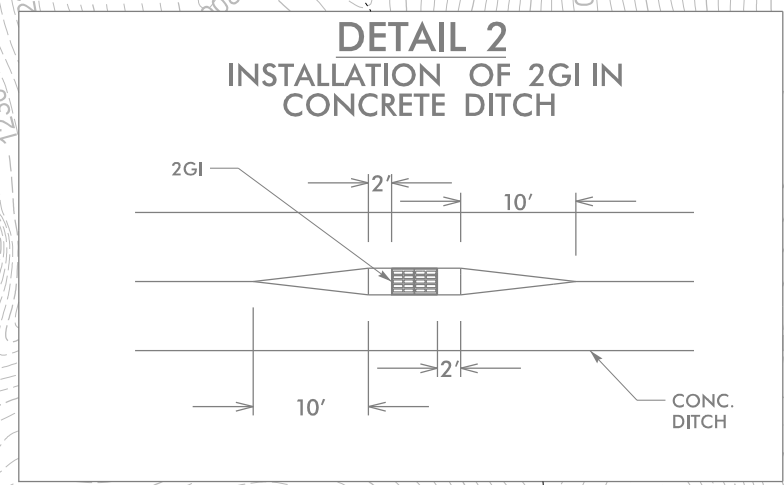


PROJECT REFERENCE NO. 156141075010	SHEET NO. EC-4/CONST.4
RW SHEET NO.	
ROADWAY DESIGN ENGINEER	HYDRAULICS ENGINEER
 TGS ENGINEERS 706 HILLSBOROUGH ST SUITE 200 RALEIGH, NC 27603 PH (919) 773-8887 CORP. LICENSE NO.: C-0275	

NOTE: ALL CSP GASKETS ARE TO BE SLEEVE GASKETS.

-126- CURVE DATA

PIs Sta 415+45.24 @s = 8'00"00.0" Ls = 400.00' LT = 266.94' ST = 133.58'	PI Sta 417+47.11 Δ = 5'30"00.0" (RT) D = 4'00"00.0" L = 137.50' T = 68.80' R = 1,432.40'	PIs Sta 419+49.38 @s = 8'00"00.0" Ls = 400.00' LT = 266.94' ST = 133.58'
PIs Sta 425+36.75 @s = 8'00"00.0" Ls = 400.00' LT = 266.94' ST = 133.58'	PI Sta 428+13.63 Δ = 1'28"00.0" (LT) D = 4'00"00.0" L = 286.67' T = 143.81' R = 1,432.40'	PIs Sta 430+90.06 @s = 8'00"00.0" Ls = 400.00' LT = 266.94' ST = 133.58'



IN LIEU OF ROCK INLET SEDIMENT TRAP TYPE C, UTILIZE FABRIC INSERT INLET PROTECTION DEVICES IN AREAS WHERE WATER MAY POND ON ROAD OPEN TO LIVE TRAFFIC AND ON JUNCTION BOXES INSTALLED ON STEEP SLOPES.

NOTE: PLACE TEMPORARY ROCK SEDIMENT DAMS TYPE - B AND TEMPORARY ROCK SILT CHECKS TYPE - A AT DRAINAGE OUTLETS.

CLEARING AND GRUBBING EROSION CONTROL FOR CONSTRUCTION SHEET 4