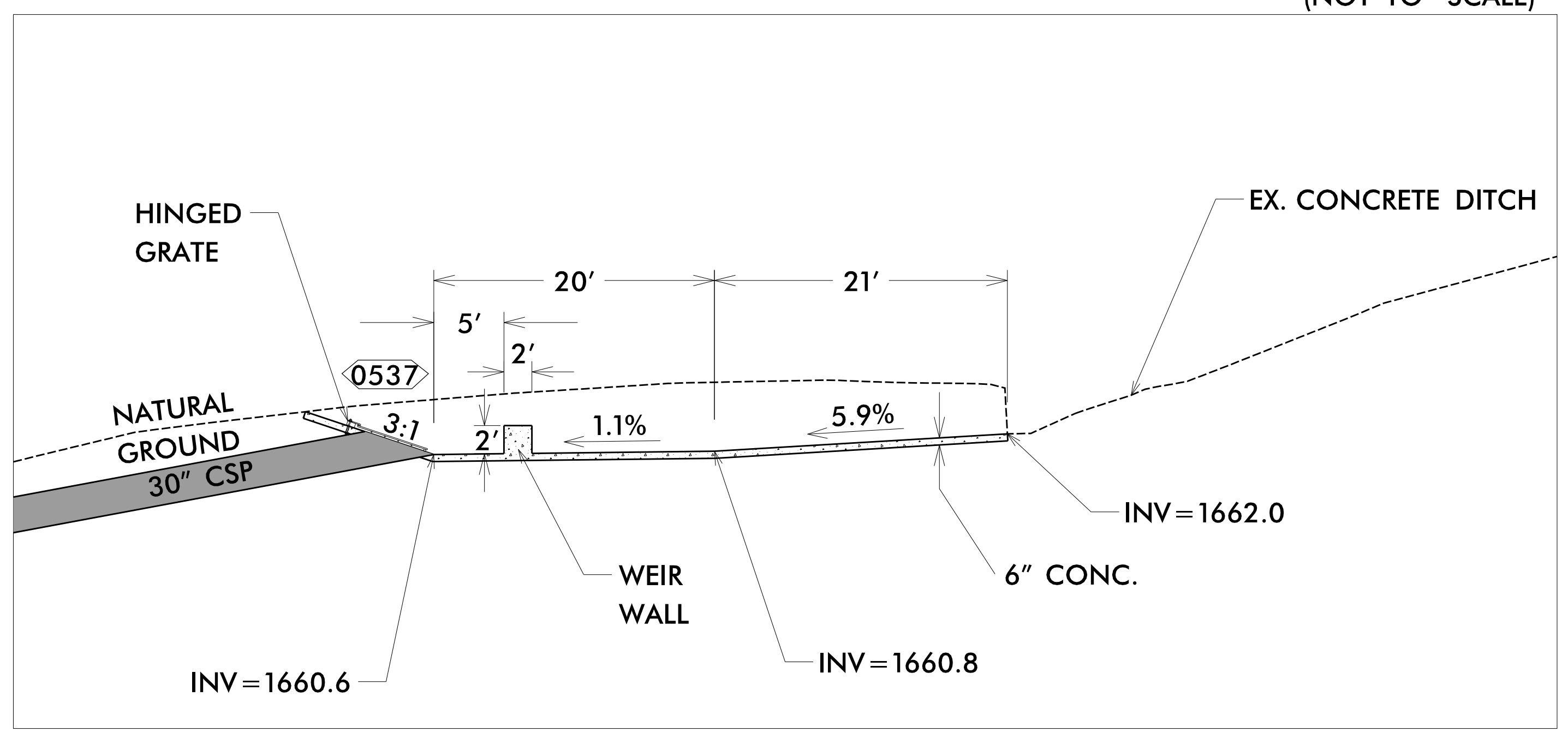


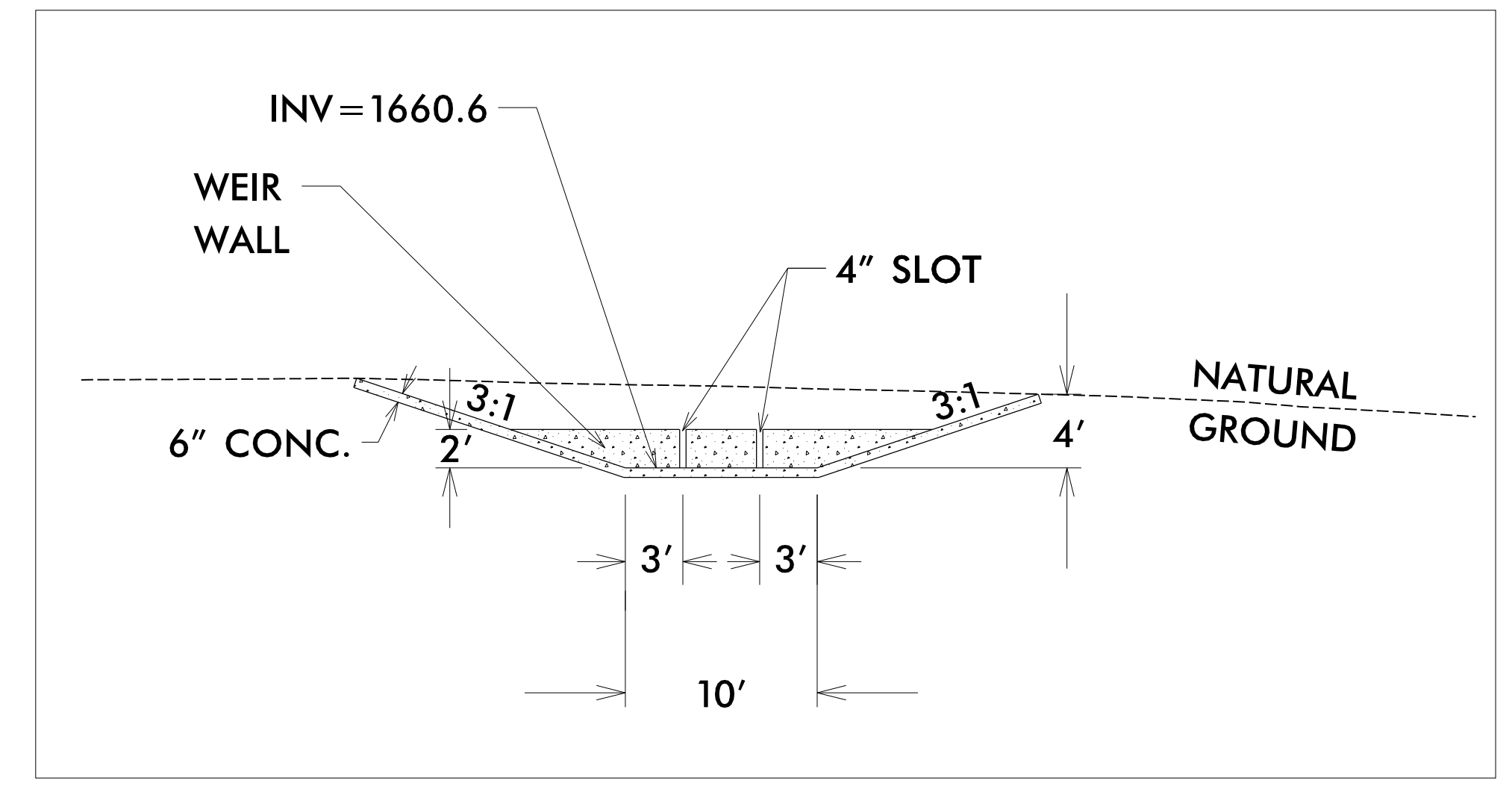
# FOREBAY #1 -126- 453+30 RT

SHEET 1 OF 2  
(NOT TO SCALE)

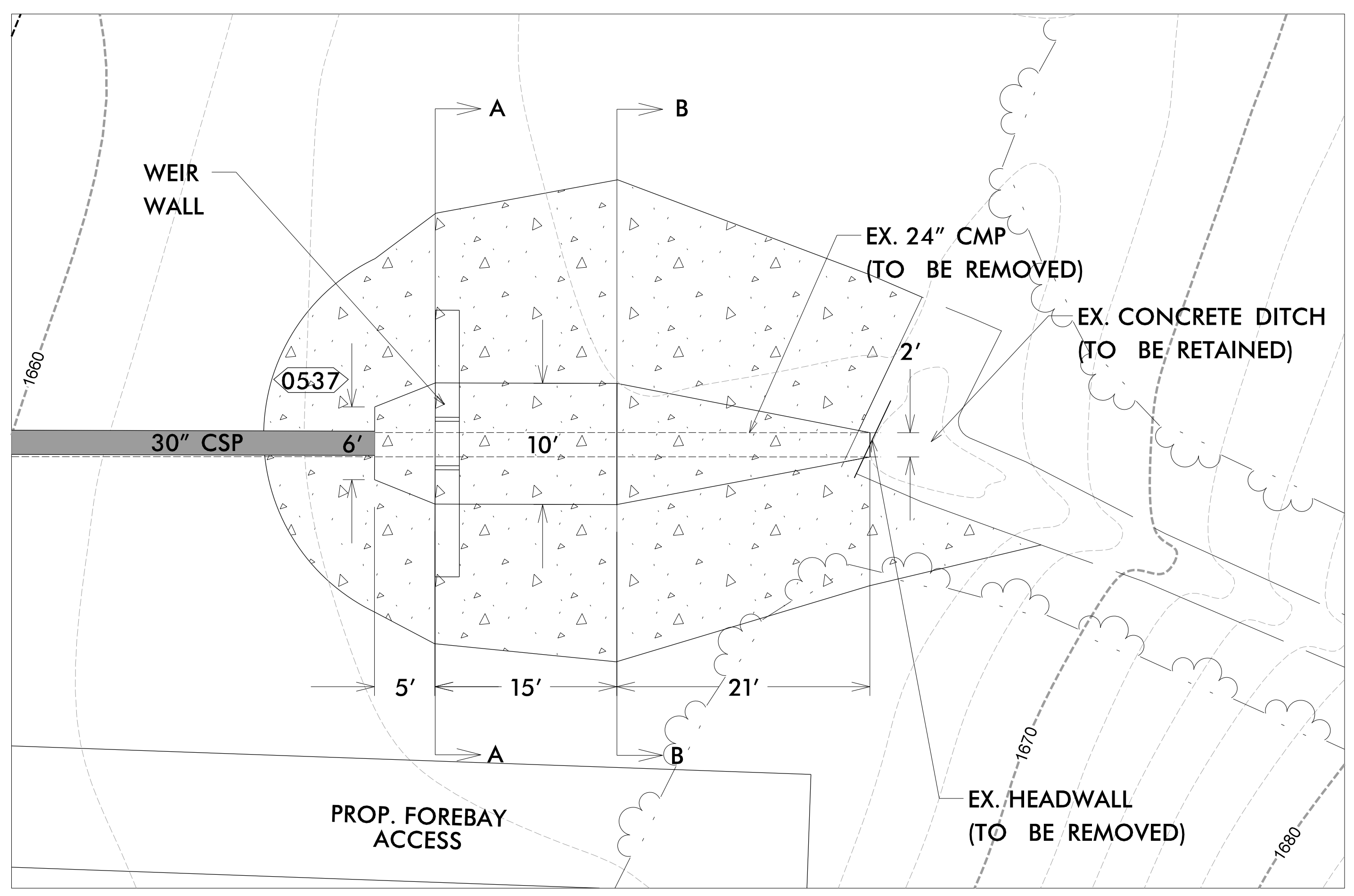
PROJECT REFERENCE NO. 15614.1075010	SHEET NO. 2D-17
RW SHEET NO.	
HYDRAULICS ENGINEER	
DOCUMENT NOT CONSIDERED FINAL UNLESS ALL SIGNATURES COMPLETED	
TGS ENGINEERS 804-C N. LAFAYETTE ST SHELBY, NC 28150 PH (704) 476-0003 CORP. LICENSE NO.: C-0275	



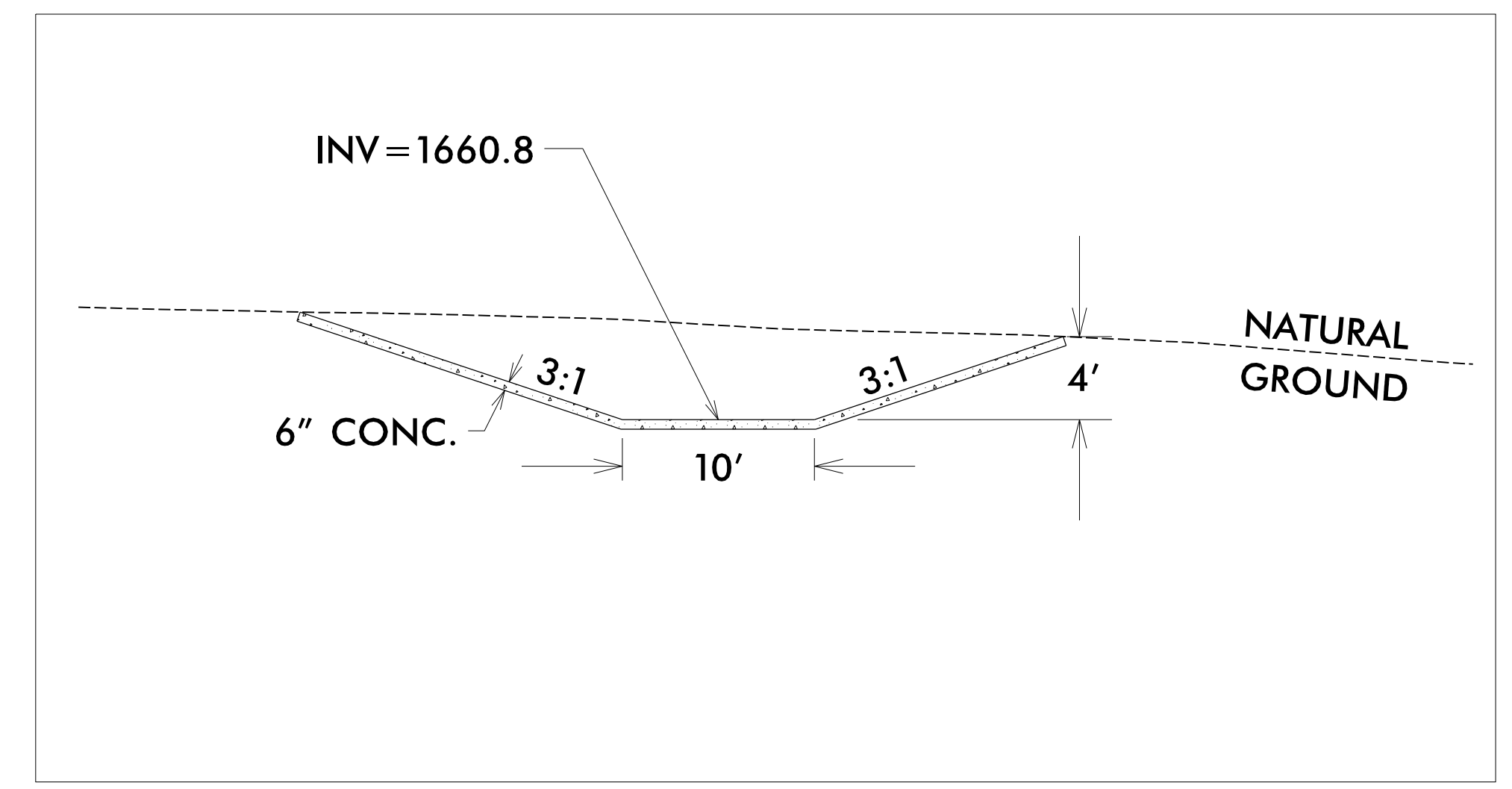
PROFILE VIEW



SECTION A-A



PLAN VIEW



SECTION B-B