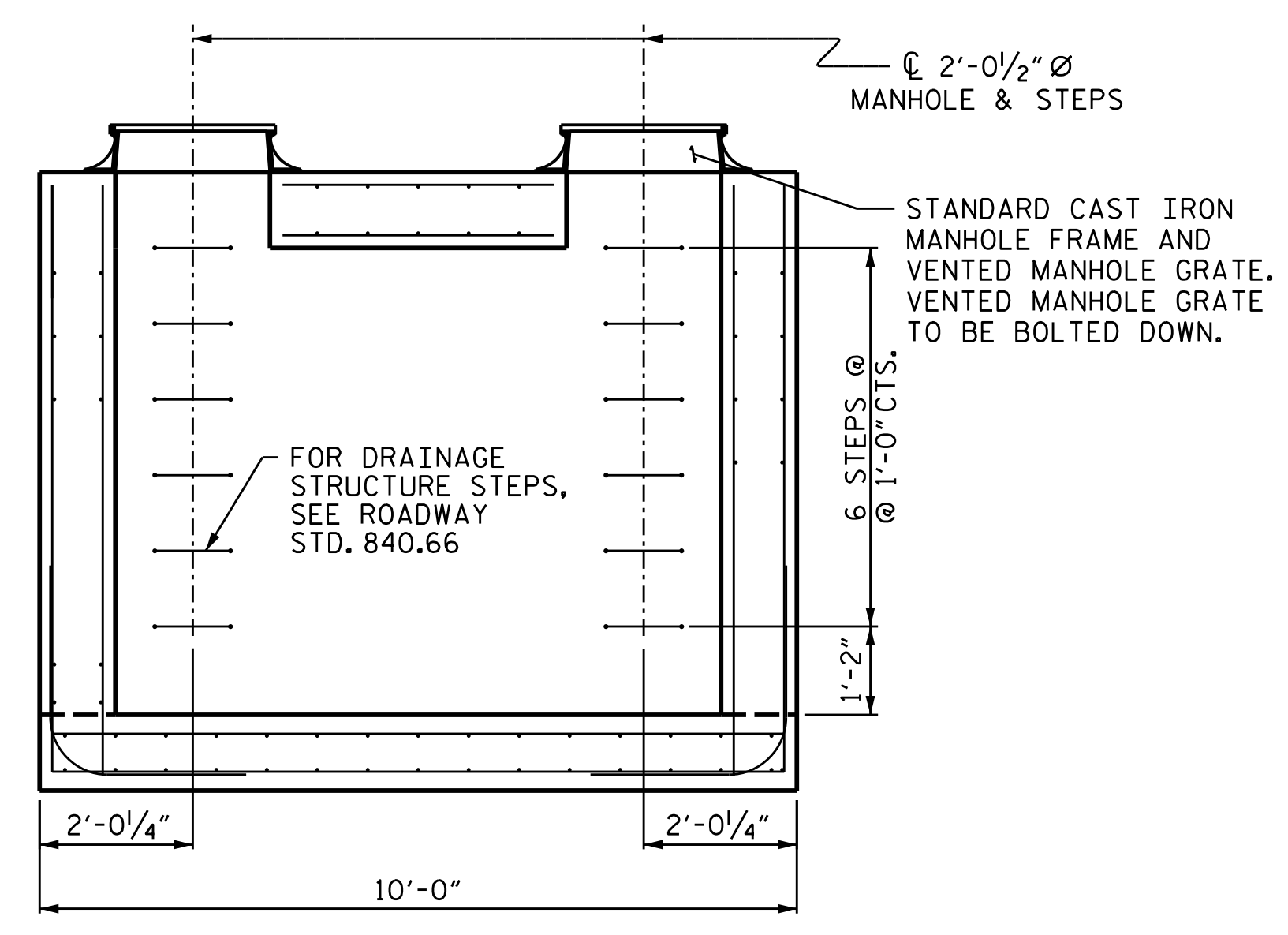
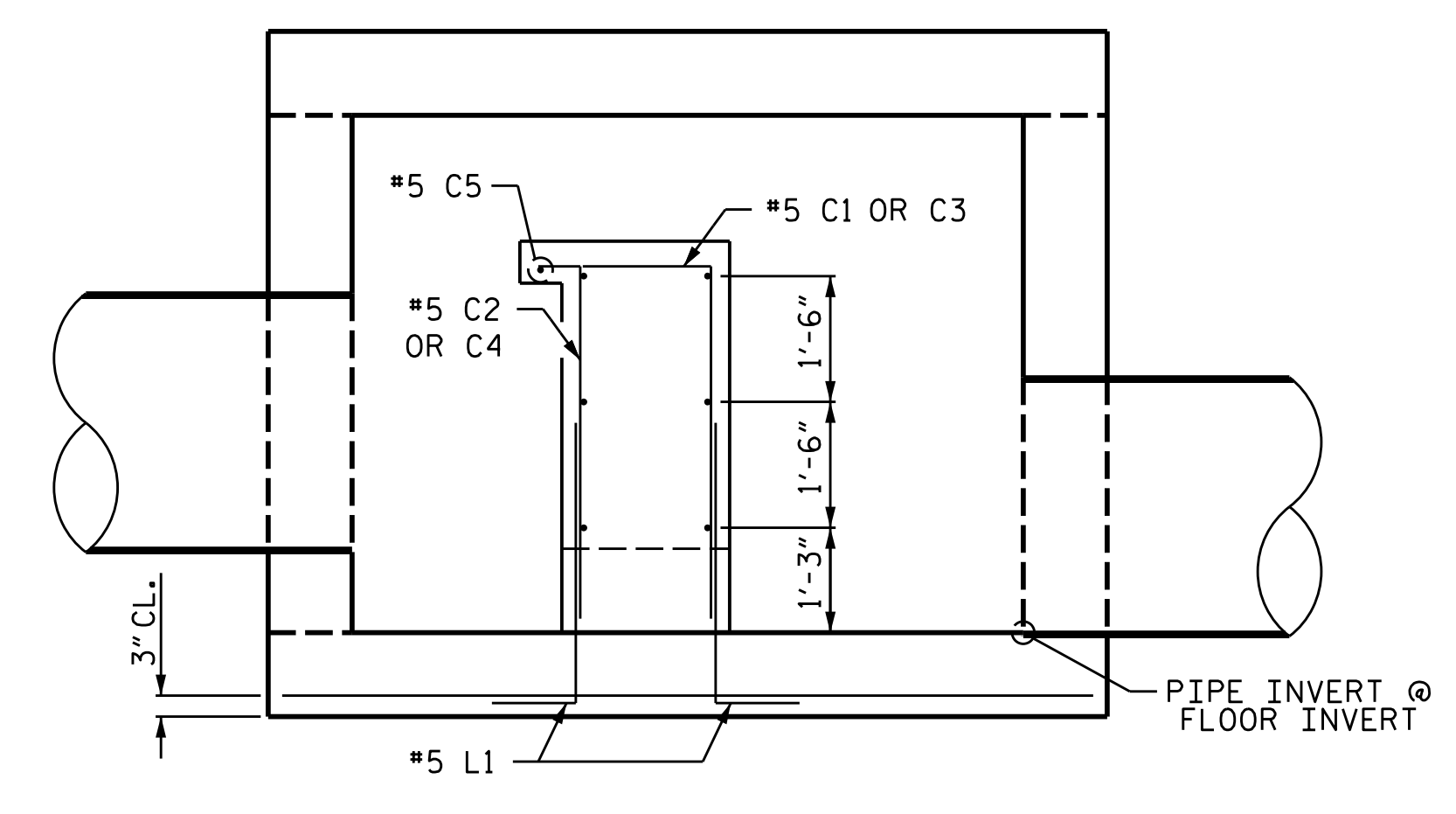


DOCUMENT NOT CONSIDERED FINAL  
UNLESS ALL SIGNATURES COMPLETED

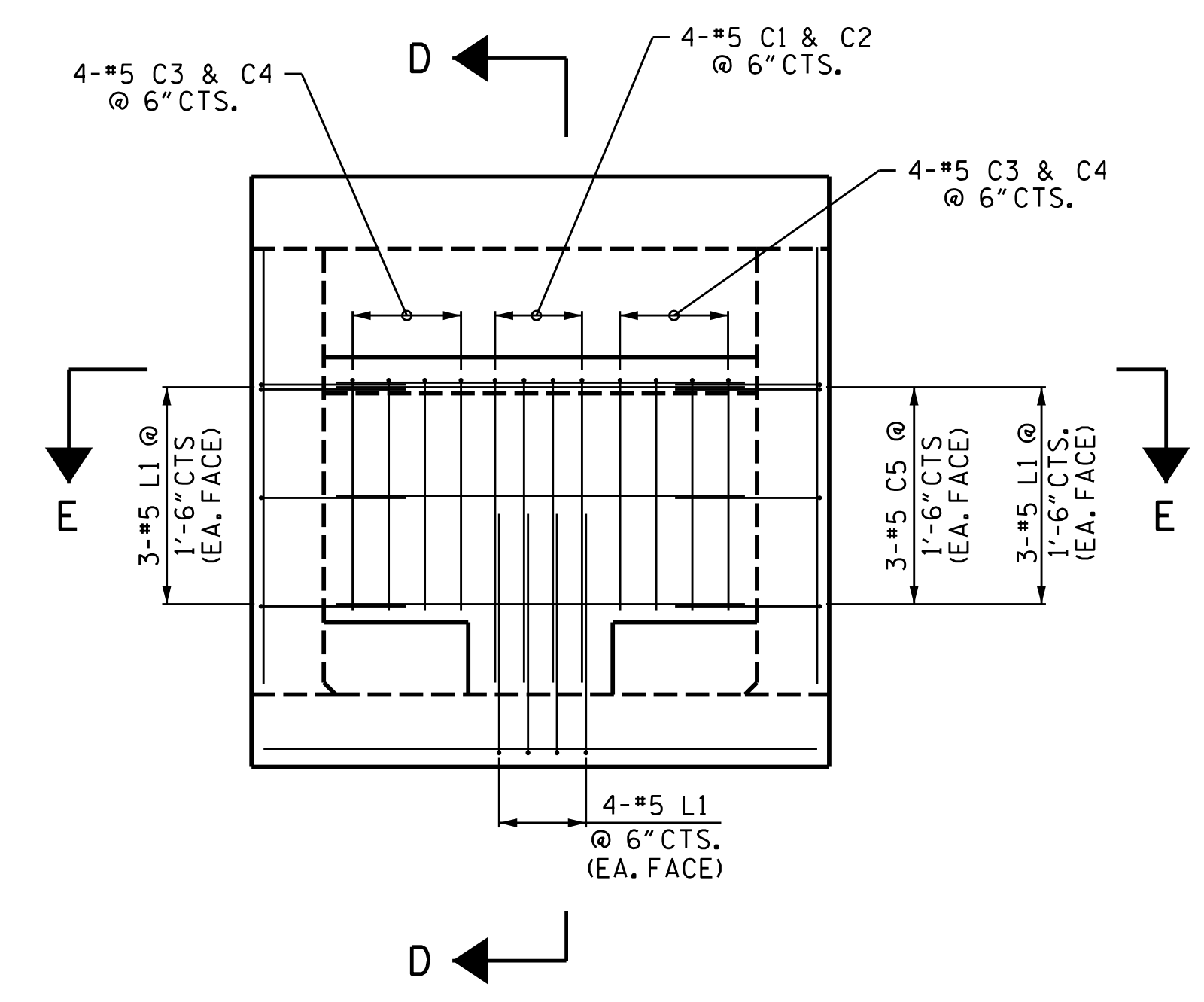
**TGS ENGINEERS**  
706 HILLSBOROUGH STREET  
SUITE 200  
RALEIGH, NC 27603  
PH (919) 773-8887  
CORP. LICENSE NO.: C-0275



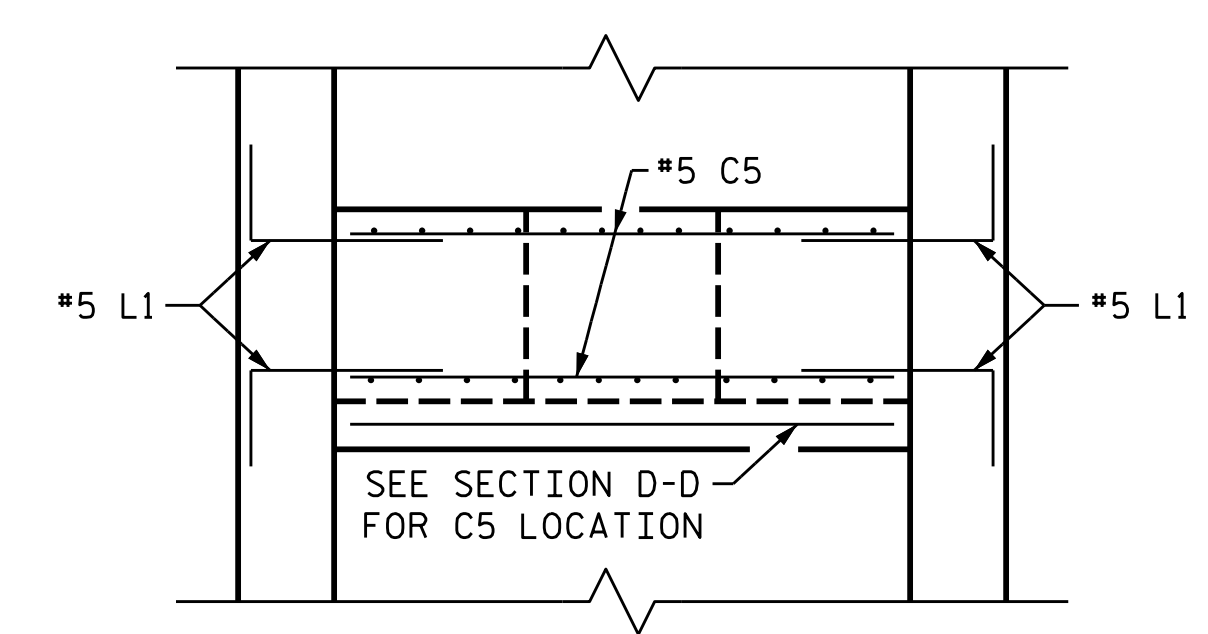
SECTION A-A



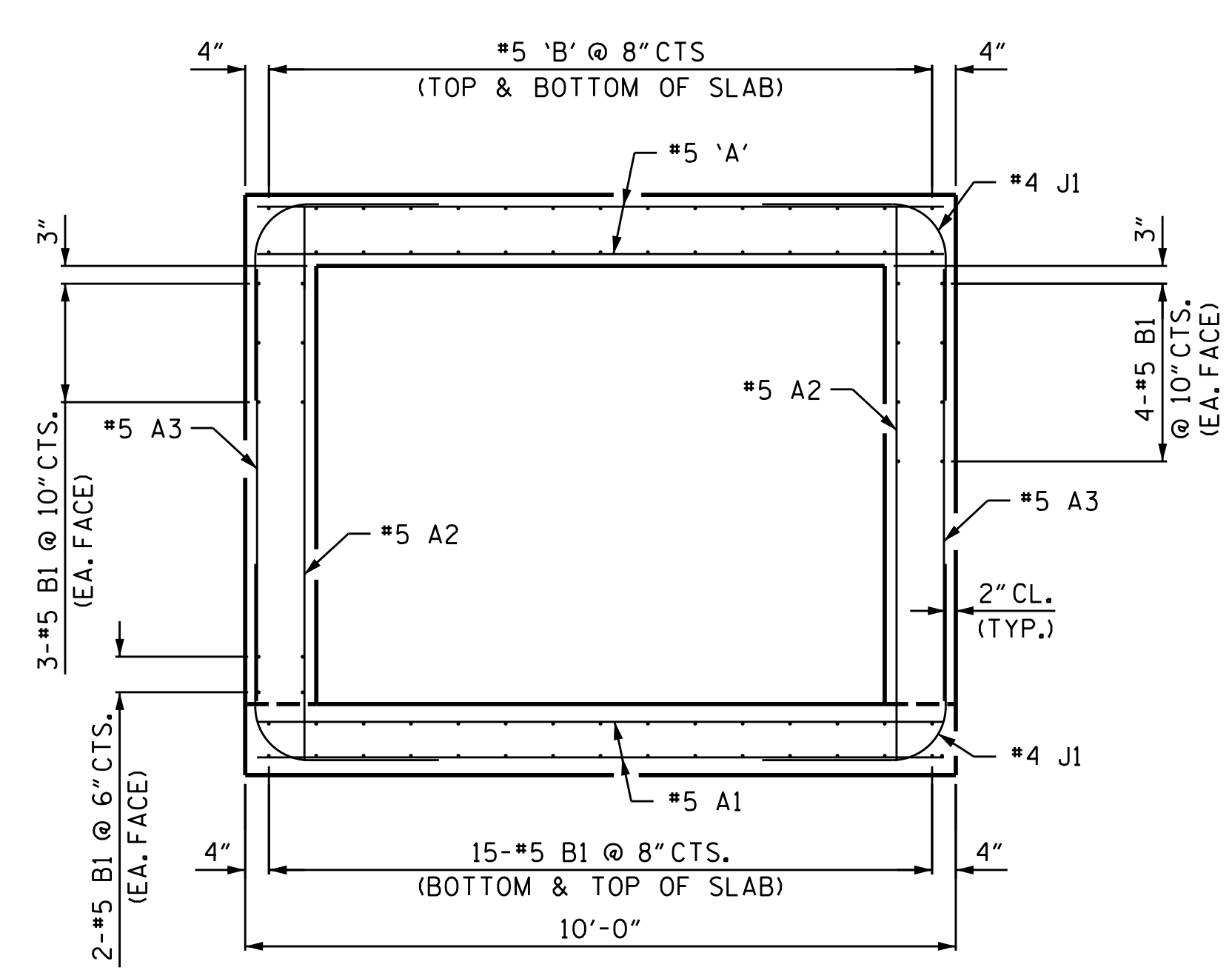
SECTION D-D



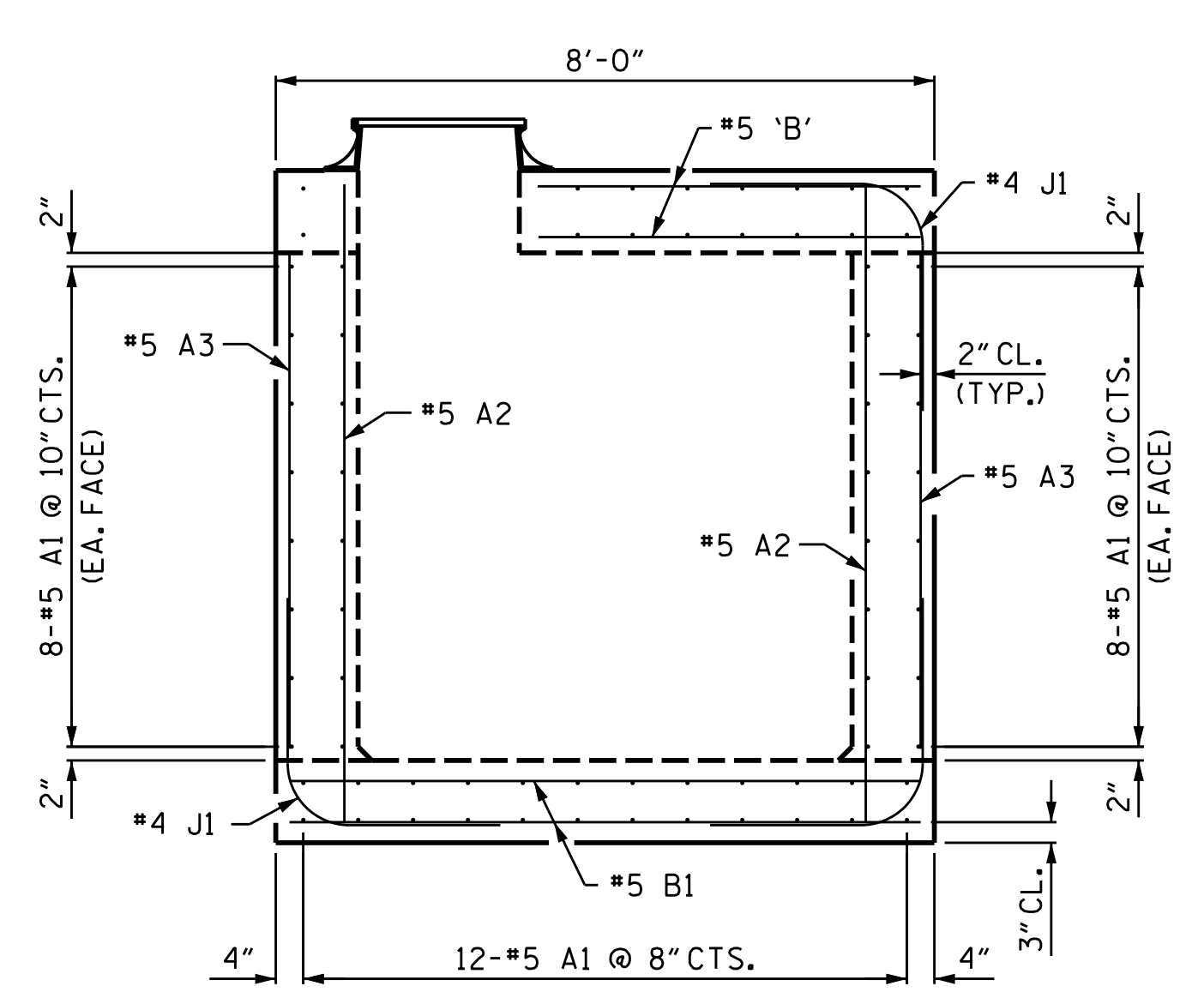
INTERIOR Baffle DETAIL



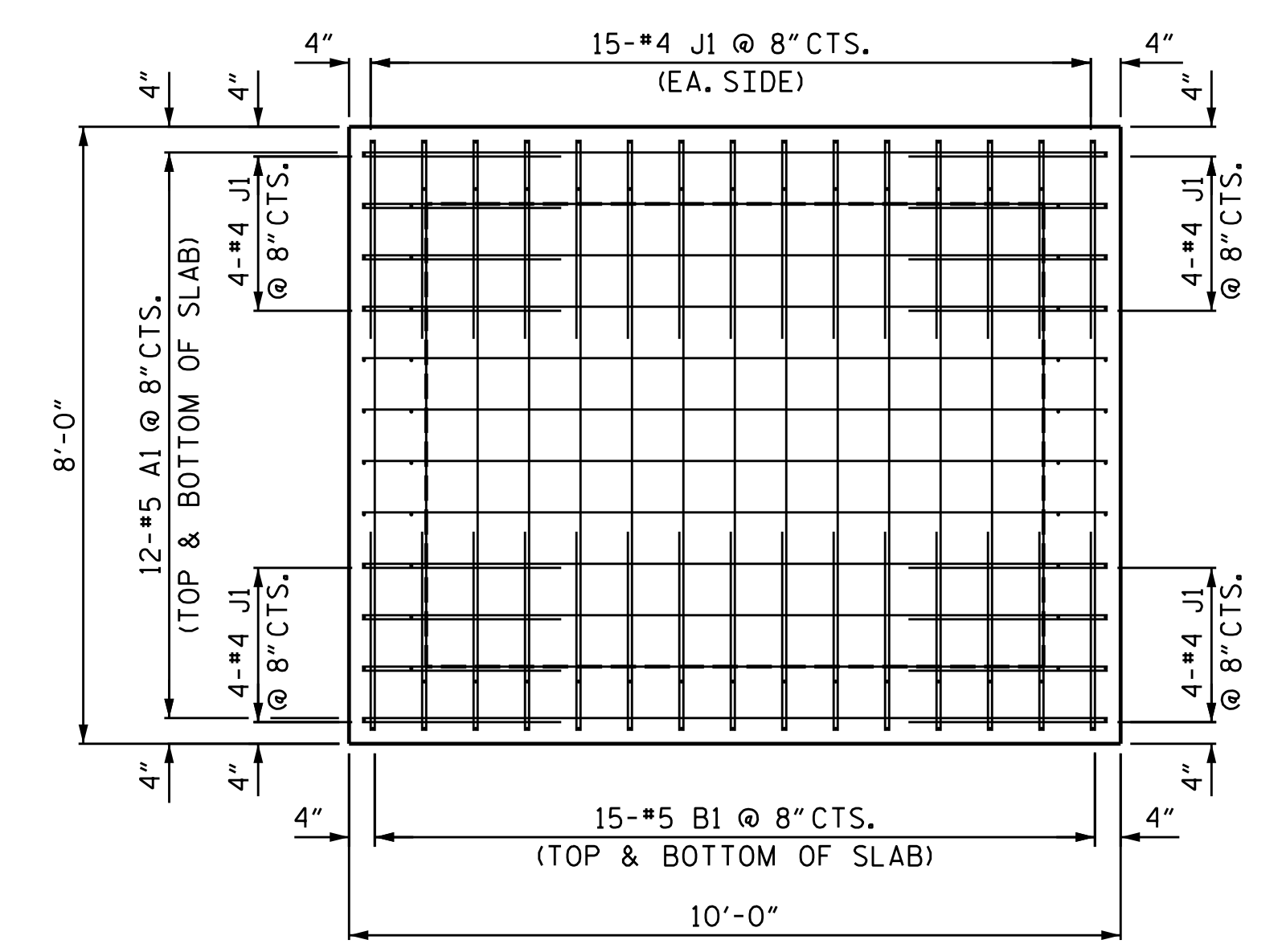
SECTION E-E



SECTION B-B



SECTION C-C



FLOOR SLAB

SHEET 2 OF 3

STATE OF NORTH CAROLINA  
DEPARTMENT OF TRANSPORTATION  
RALEIGH

ENERGY DISSIPATOR  
JUNCTION BOX

DRAWN BY : STM DATE : 01/21  
CHECKED BY : MGC DATE : 03/21