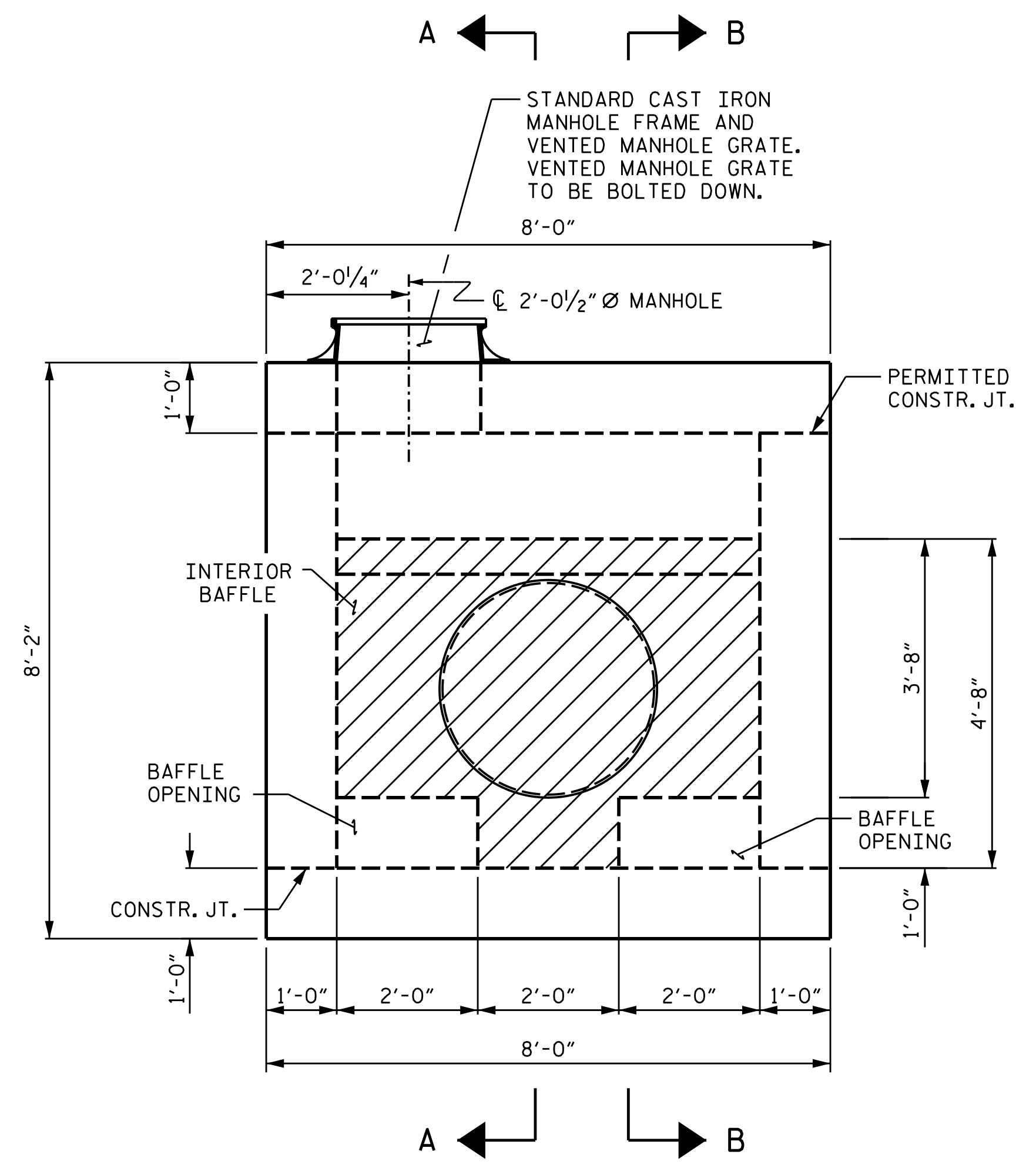
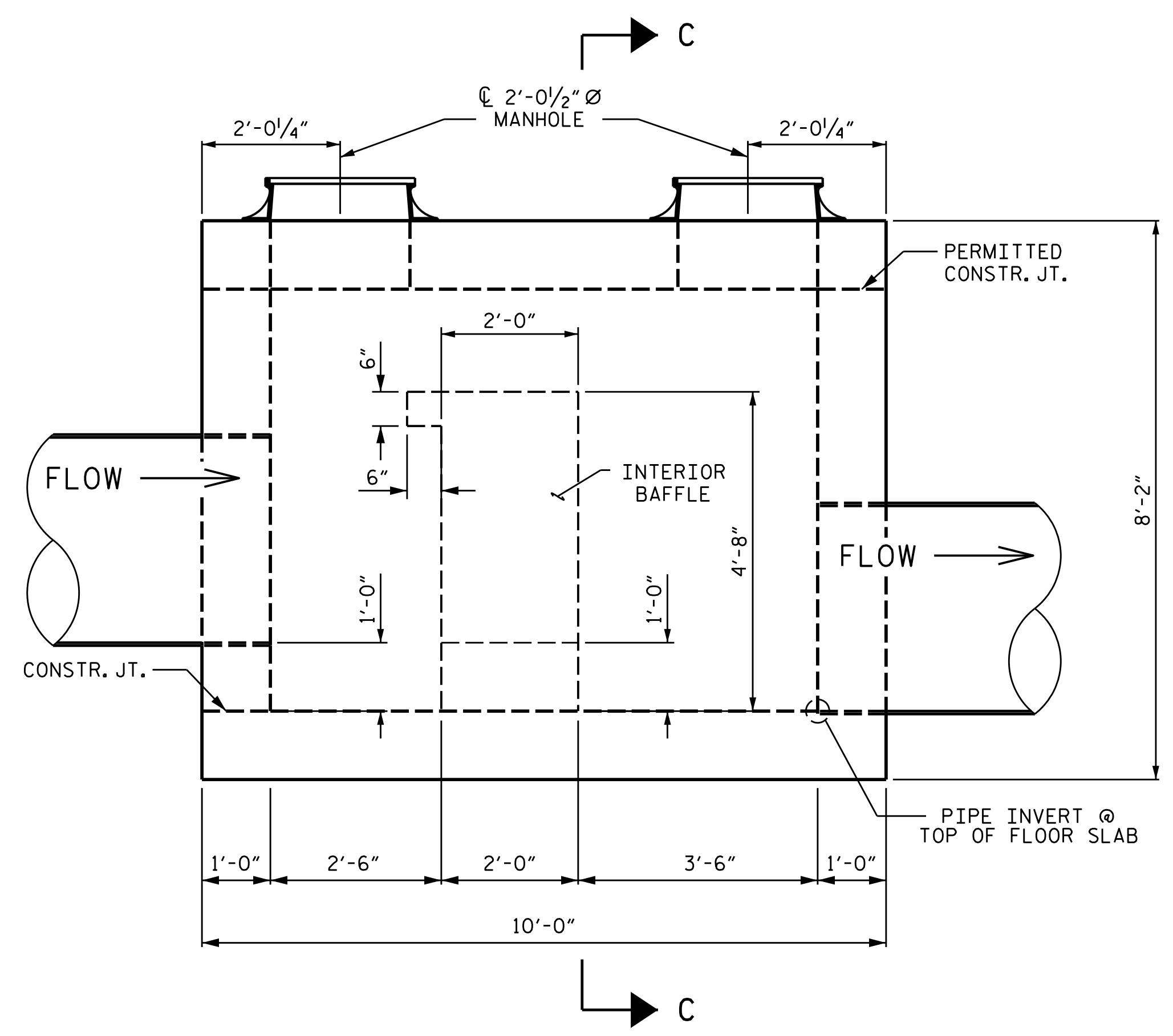


DOCUMENT NOT CONSIDERED FINAL  
UNLESS ALL SIGNATURES COMPLETED

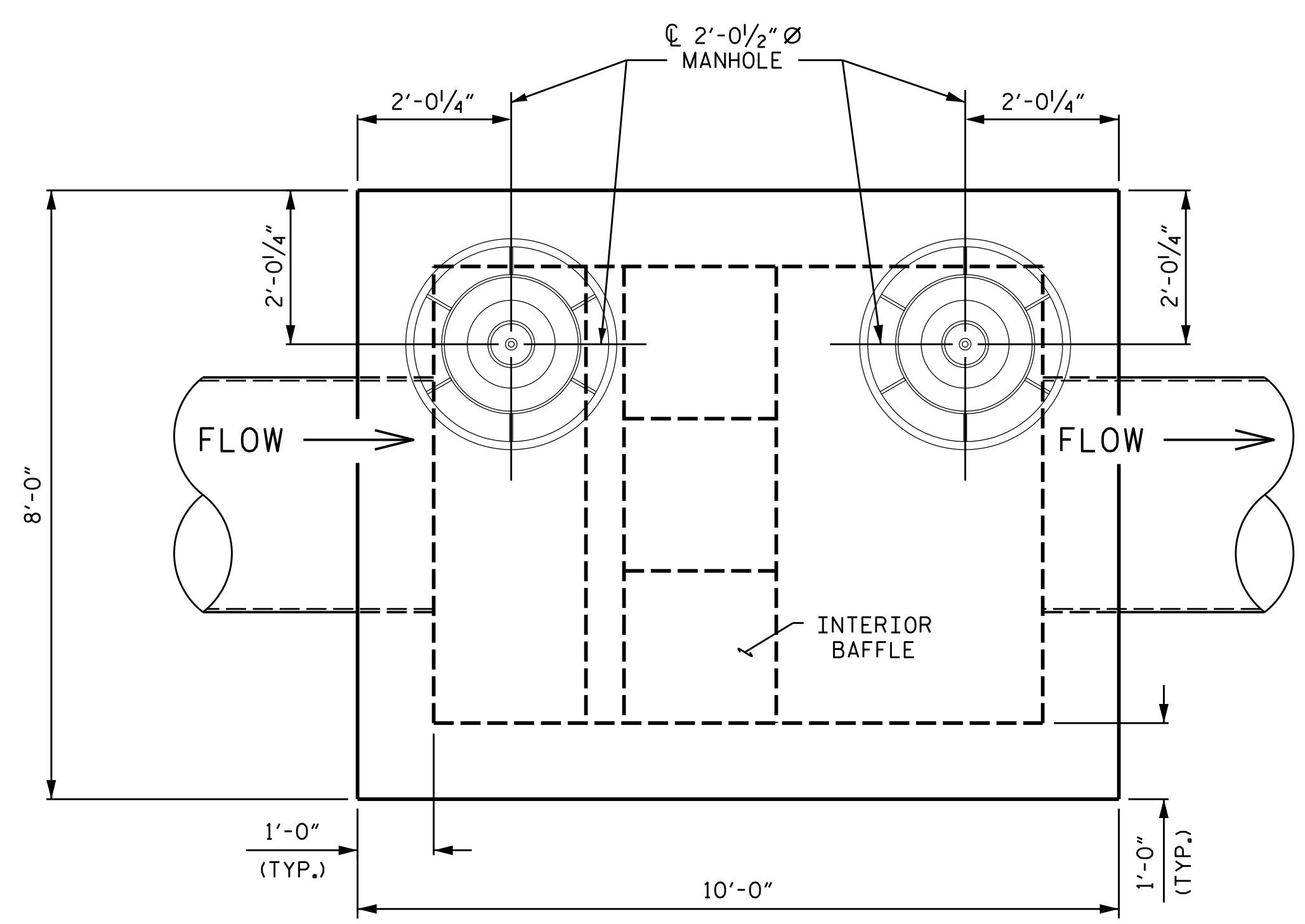
**IGS ENGINEERS**  
706 HILLSBOROUGH STREET  
SUITE 200  
RALEIGH, NC 27603  
PH (919) 773-8887  
CORP. LICENSE NO.: C-0275



**END ELEVATION**  
FOR SECTION A-A & B-B, SEE SHEET 2 OF 3.



**SIDE ELEVATION**  
FOR SECTION C-C, SEE SHEET 2 OF 3.



**PLAN VIEW**

DRAWN BY : STM DATE : 01/21  
CHECKED BY : MGC DATE : 03/21

4/13/2021  
X:\NCDOT\I-26 Howard Gap Rd Rehab\Structures\Energy Dissipator\I-26.SMU. ED.dgn  
User:smasnopie

SHEET 1 OF 3

STATE OF NORTH CAROLINA  
DEPARTMENT OF TRANSPORTATION  
RALEIGH

**ENERGY DISSIPATOR  
JUNCTION BOX**