

## ECONOLITE ASC/3-2070 OVERLAP PROGRAMMING DETAIL

(program controller as shown)

- From Main Menu select **2. CONTROLLER**
- From CONTROLLER Submenu select **2. VEHICLE OVERLAPS**

**OVERLAP A**

Select TMG VEH OVLP [A] and 'PPLT FYA'

TMG VEH OVLP... [A] TYPE: ....	<b>PPLT FYA</b>
PROTECTED LEFT TURN....	PHASE 1
OPPOSING THROUGH.....	PHASE 2
FLASHING ARROW OUTPUT.....CH9 ISOLATE	
DELAY START OF: FYA..0.0 CLEARANCE..0.0	
ACTION PLAN SF BIT DISABLE..... 0	

Toggle Once

**OVERLAP B**

Select TMG VEH OVLP [B] and 'PPLT FYA'

TMG VEH OVLP... [B] TYPE: ....	<b>PPLT FYA</b>
PROTECTED LEFT TURN....	PHASE 3
OPPOSING THROUGH.....	PHASE 4
FLASHING ARROW OUTPUT.....CH10 ISOLATE	
DELAY START OF: FYA..0.0 CLEARANCE..0.0	
ACTION PLAN SF BIT DISABLE..... 0	

Toggle Once

**OVERLAP C**

Select TMG VEH OVLP [C] and 'PPLT FYA'

TMG VEH OVLP... [C] TYPE: ....	<b>PPLT FYA</b>
PROTECTED LEFT TURN....	PHASE 5
OPPOSING THROUGH.....	PHASE 6
FLASHING ARROW OUTPUT.....CH11 ISOLATE	
DELAY START OF: FYA..0.0 CLEARANCE..0.0	
ACTION PLAN SF BIT DISABLE..... 0	

Toggle Once

**OVERLAP D**

Select TMG VEH OVLP [D] and 'PPLT FYA'

TMG VEH OVLP... [D] TYPE: ....	<b>PPLT FYA</b>
PROTECTED LEFT TURN....	PHASE 7
OPPOSING THROUGH.....	PHASE 8
FLASHING ARROW OUTPUT.....CH12 ISOLATE	
DELAY START OF: FYA..0.0 CLEARANCE..0.0	
ACTION PLAN SF BIT DISABLE..... 0	

END PROGRAMMING

## FLASHER CIRCUIT MODIFICATION DETAIL

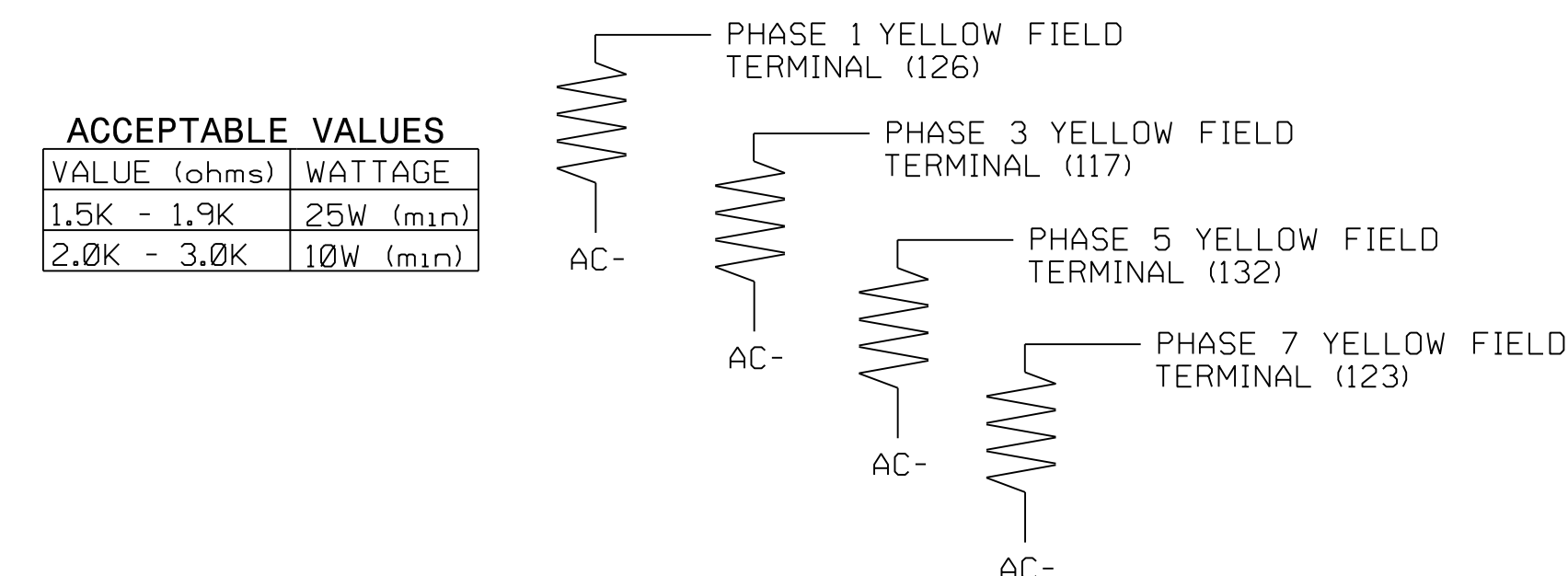
IN ORDER TO ENSURE THAT SIGNALS FLASH CONCURRENTLY ON THE SAME APPROACH, MAKE THE FOLLOWING FLASHER CIRCUIT CHANGES:

- ON REAR OF PDA - REMOVE WIRE FROM TERM. T2-4 AND TERMINATE ON T2-2.
- ON REAR OF PDA - REMOVE WIRE FROM TERM. T2-5 AND TERMINATE ON T2-3.
- REMOVE FLASHER UNIT 2.

THE CHANGES LISTED ABOVE TIES ALL PHASES AND OVERLAPS TO FLASHER UNIT 1.

## LOAD RESISTOR INSTALLATION DETAIL

(install resistors as shown)



## ECONOLITE ASC/3-2070 PREEMPT FILTERING PROGRAMMING DETAIL

(program controller as shown)

- From Main Menu select **4. PREEMPTOR/TSP**
- From PREEMPT/TSP/SCP Submenu select **2. ENABLE PREEMPT FILTERING & TSP/SCP**

ENABLE PREEMPT FILTERING & TSP/SCP		
FILTERED	SOLID	PULSING
INPUT 1	...BYPASSED..	...BYPASSED..
2	...BYPASSED..	...BYPASSED..
3	..PREEMPT	3. ...BYPASSED..
4	..PREEMPT	4. ...BYPASSED..
5	..PREEMPT	5. ...BYPASSED..
6	..PREEMPT	6. ...BYPASSED..
7	...BYPASSED..	...BYPASSED..
8	...BYPASSED..	...BYPASSED..
9	...BYPASSED..	...BYPASSED..
10	...BYPASSED..	...BYPASSED..

THIS ELECTRICAL DETAIL IS FOR THE SIGNAL DESIGN: 01-0217  
 DESIGNED: September 2018  
 SEALED: 09/21/2018  
 REVISED: N/A

Electrical Detail - Sheet 2 of 3

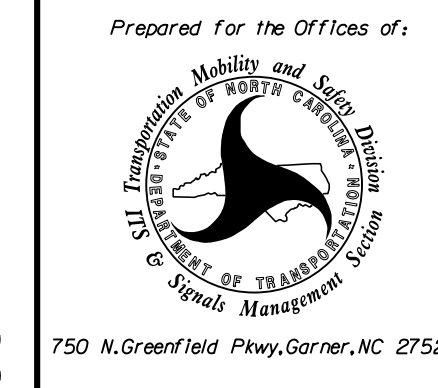
DOCUMENT NOT CONSIDERED FINAL UNLESS ALL SIGNATURES COMPLETED

PLANS PREPARED BY :



RUMMEL, KLEPPER & KAHL, LLP  
 900 RIDGEFIELD DRIVE SUITE 350  
 RALEIGH, NORTH CAROLINA 27609-3960  
 NC LICENSE NO. F-0112 • (919) 878-9560

ELECTRICAL AND PROGRAMMING DETAILS FOR:

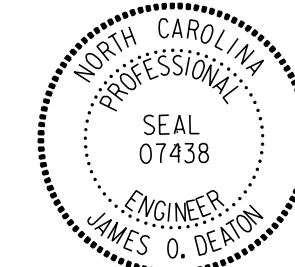


NC 344 (Halstead Boulevard)  
 at  
 SR 1101 (Peartree Road)

Division 1 Pasquotank County Elizabeth City  
 PLAN DATE: September 2018 REVIEWED BY: J O Deaton  
 PREPARED BY: M W Yalch REVIEWED BY:

REVISIONS	INIT.	DATE

SEAL



DocuSigned by:  
**James O. Deaton**  
 9/21/2018  
 DATE  
 SIG. INVENTORY NO. 01-0217