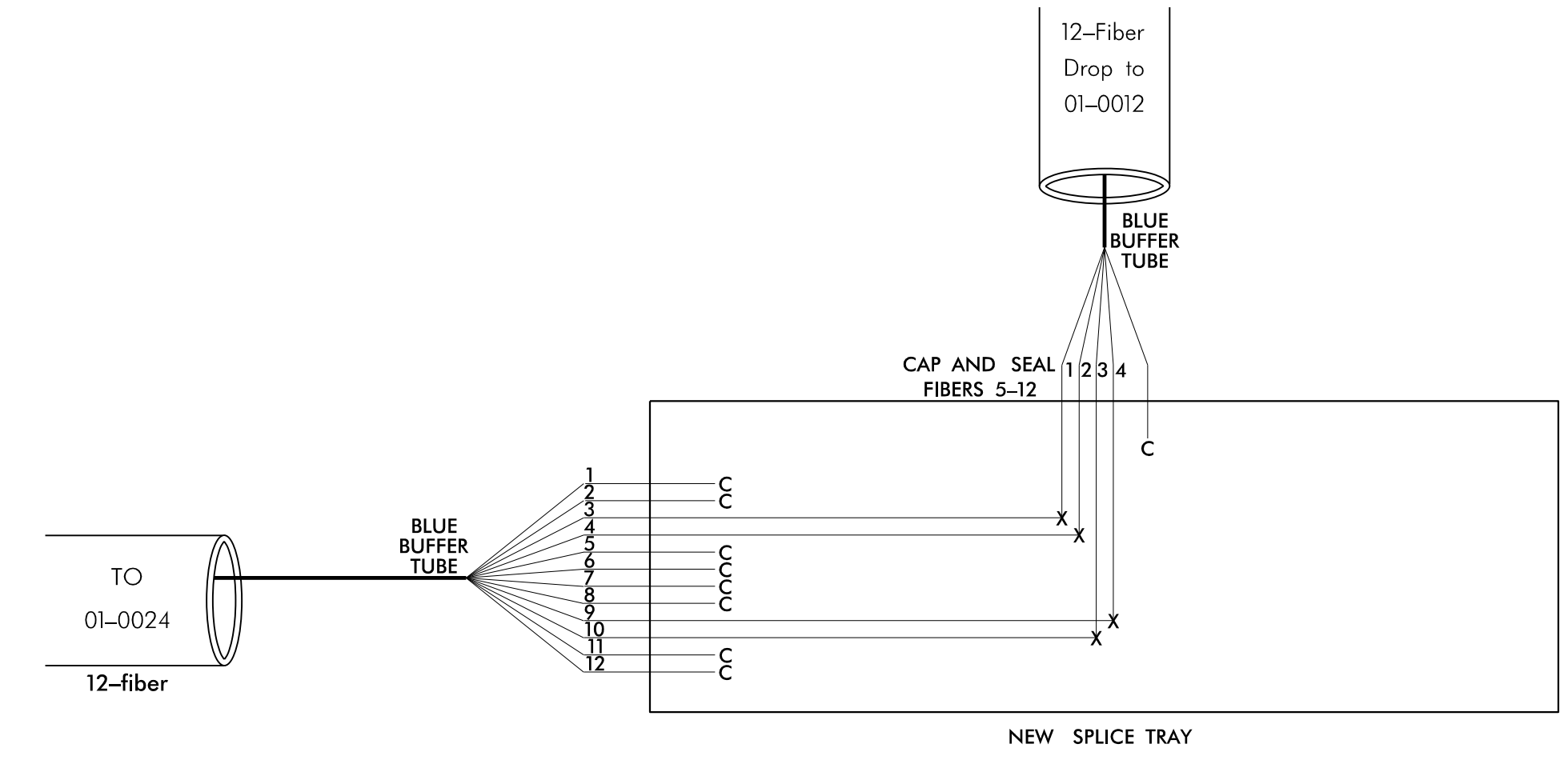
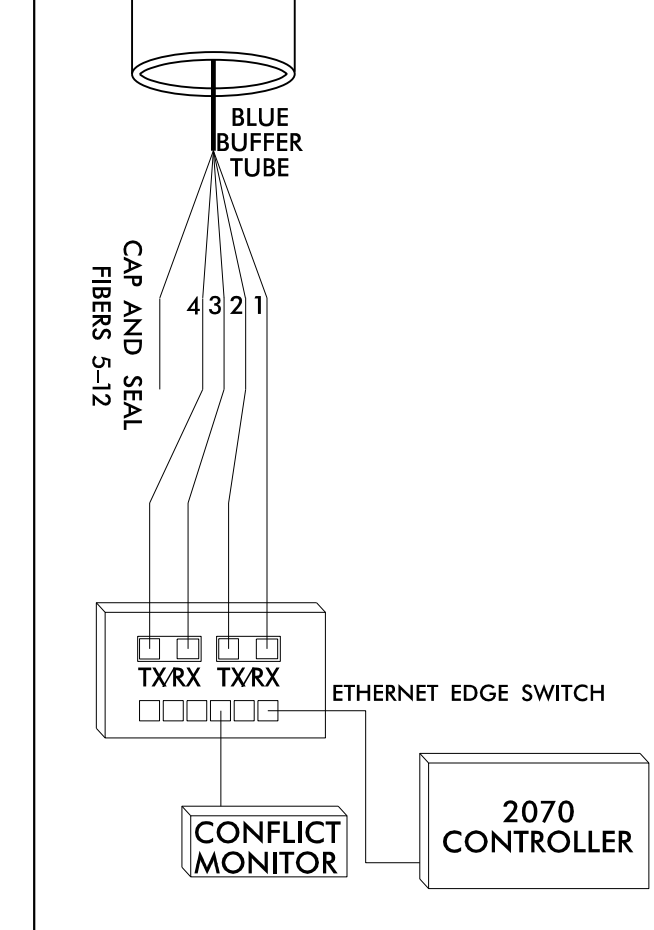


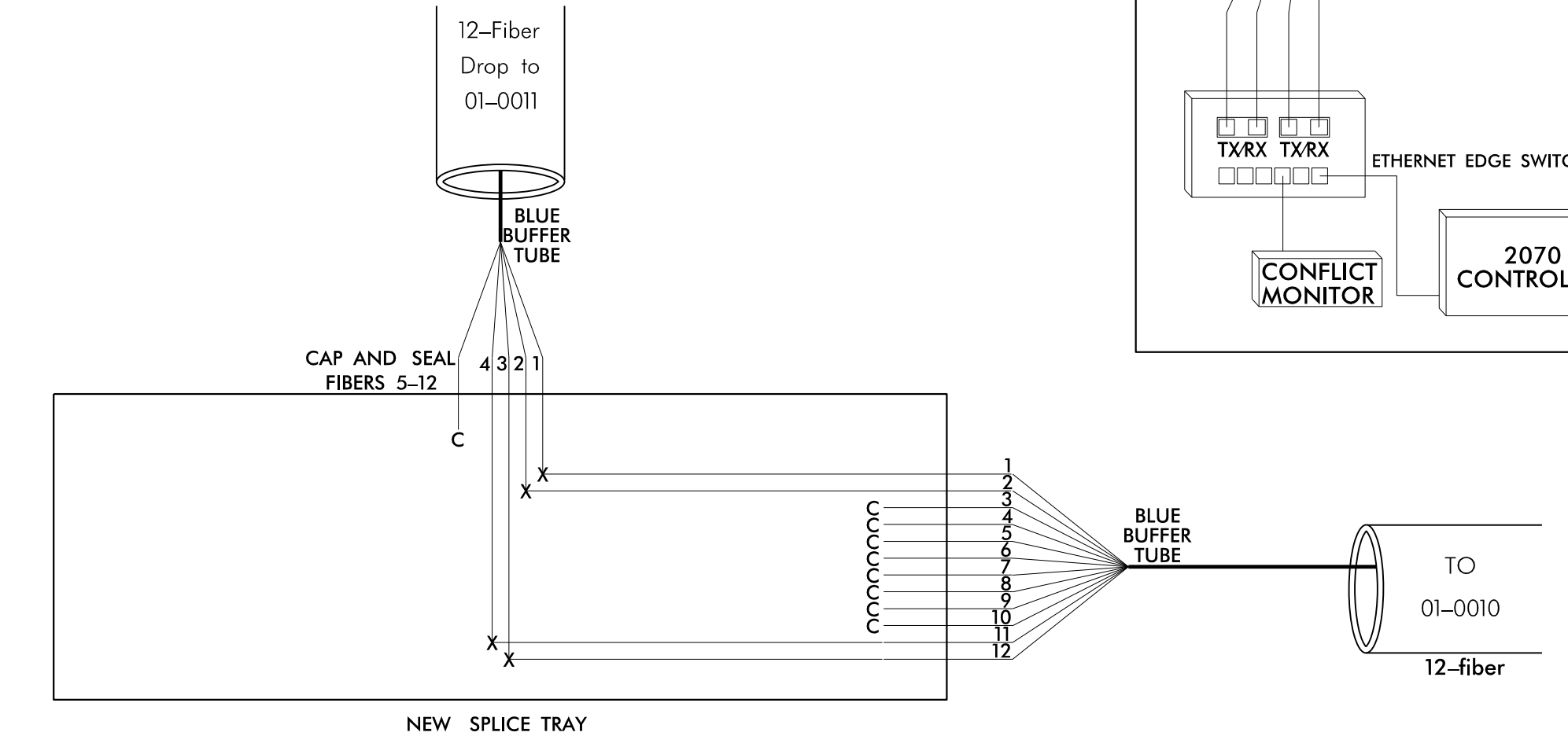
NEW AERIAL SPLICE ENCLOSURE
 Shepard St./Riverside Ave. at Southern Ave./Water St.
 SIG. INV. # 01-0012



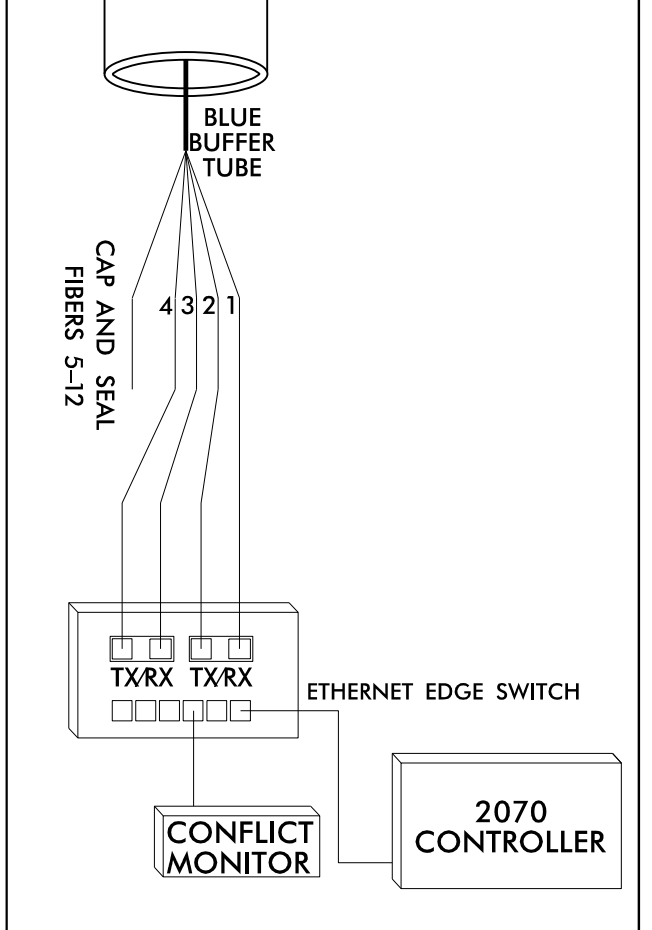
CONTROLLER CABINET
 SIG. INV. # 01-0012



NEW AERIAL SPLICE ENCLOSURE
 NC 34 (Water St. at Main St.)
 SIG. INV. # 01-0011



CONTROLLER CABINET
 SIG. INV. # 01-0011



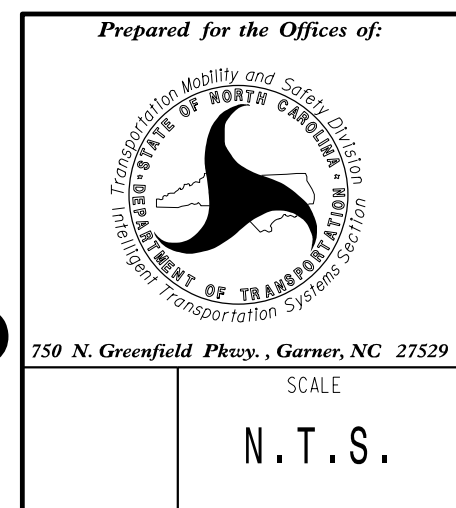
DOCUMENT NOT CONSIDERED FINAL UNLESS ALL SIGNATURES COMPLETED

LEGEND

Color Code		TIA/EIA 598-B	
BL (1) Blue	RD (7) Red		
OR (2) Orange	BK (8) Black		
GR (3) Green	YL (9) Yellow		
BR (4) Brown	VI (10) Violet		
SL (5) Slate	RS (11) Rose		
WH (6) White	AQ (12) Aqua		

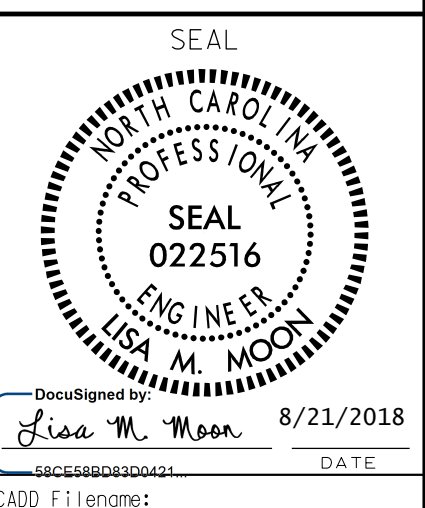
X	=	Fusion Splice Individual Fiber
C	=	Cap and Seal
EXPRESS	=	Express entire buffer tube/fibers through without cutting
BUFFER SPLICE	=	Splice all fibers in buffer tube color to color

- NOTES**
- Unused fibers left coiled and stored in splice tray.
 - Unused buffer tubes left coiled and stored in splice enclosure.
 - Edge switch configurations are generic. Contractor is responsible for determining/ensuring the proper terminations.



Elizabeth City Signal System Fiber-Optic Splicing Details

Division 1	Pasquotank County	Elizabeth City
PLAN DATE: April 2018	REVIEWED BY: J.E. Beck	
PREPARED BY: AJ Davis	REVIEWED BY: LM Moon	
SCALE: N.T.S.		



DocuSigned by: Lisa M. Moon 8/21/2018
 56CE589D83D0431
 CADD File Name: