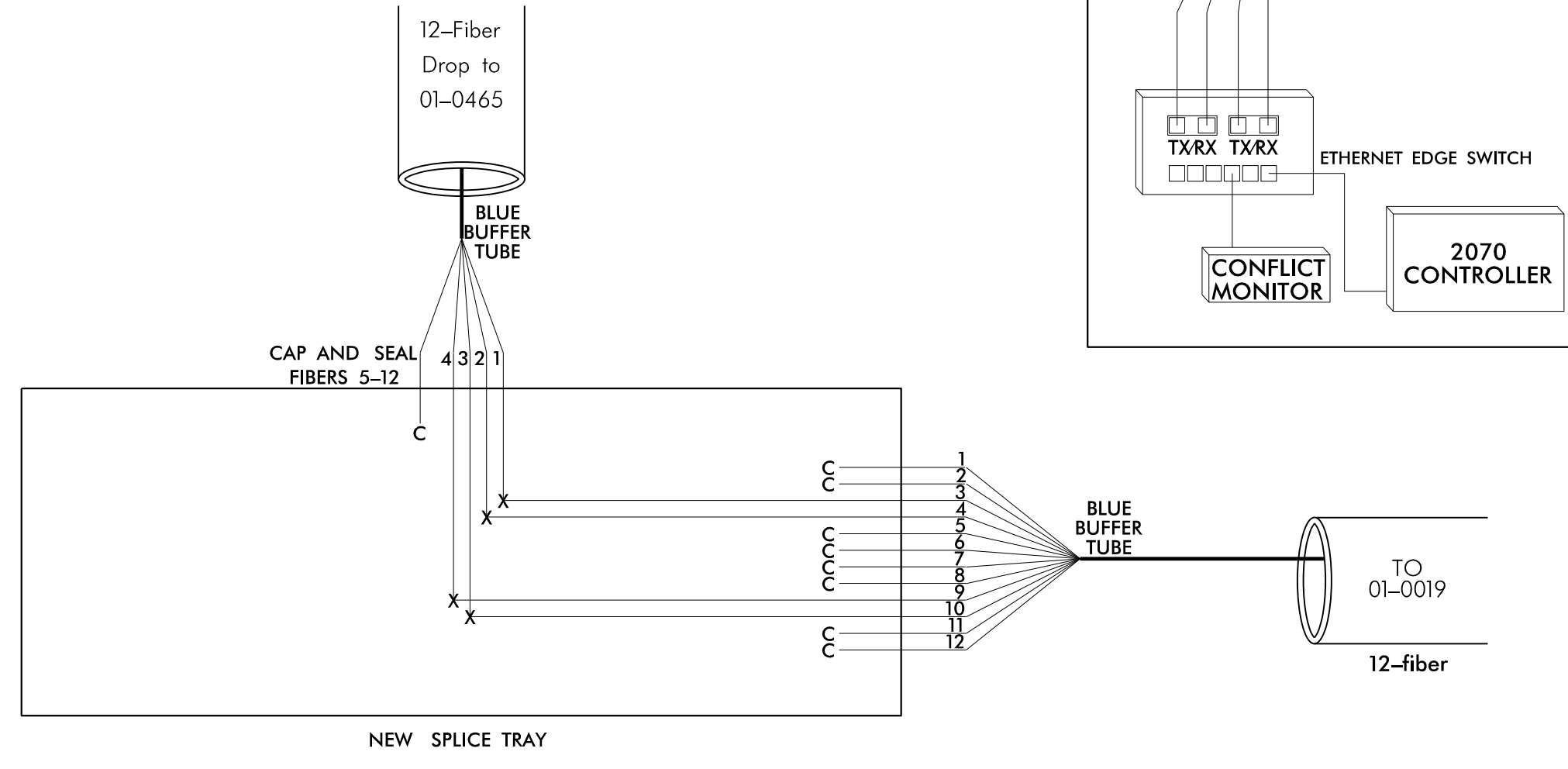
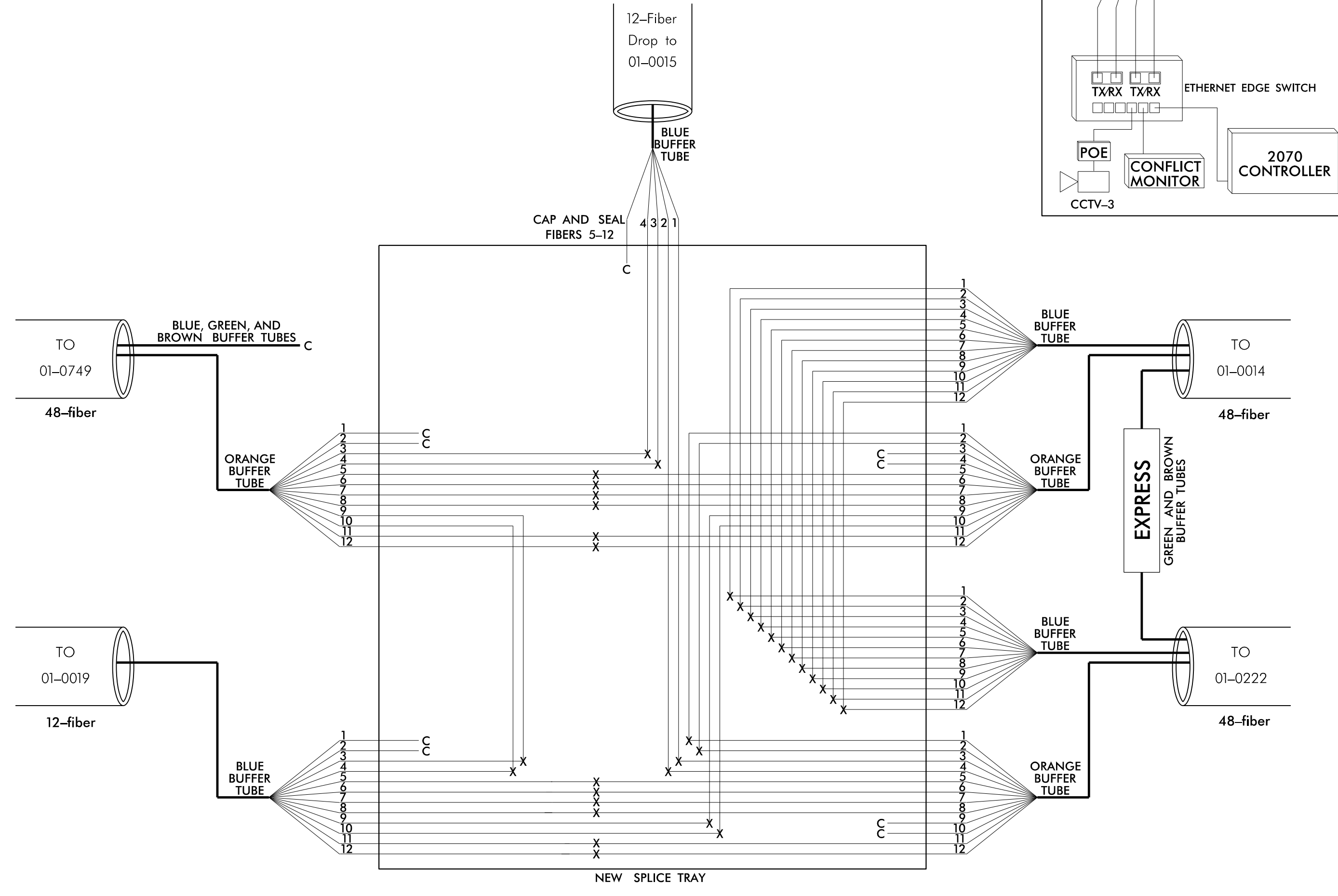


**NEW AERIAL SPLICE ENCLOSURE**  
 SR 1145 (Oak Stump Rd.) at SR 1190  
 (Ranch Rd.)/Northeastern HS  
 SIG. INV. # 01-0465



**NEW UNDERGROUND SPLICE ENCLOSURE**  
 US 17 (Hughes Blvd.) at  
 SR 1152 (Halstead Blvd.)  
 SIG. INV. # 01-0015



**DOCUMENT NOT CONSIDERED FINAL  
 UNLESS ALL SIGNATURES COMPLETED**

Color Code		TIA/EIA 598-B	
BL (1) Blue	RD (7) Red		
OR (2) Orange	BK (8) Black		
GR (3) Green	YL (9) Yellow		
BR (4) Brown	VI (10) Violet		
SL (5) Slate	RS (11) Rose		
WH (6) White	AQ (12) Aqua		

X	=	Fusion Splice Individual Fiber
C	=	Cap and Seal
<b>EXPRESS</b>	=	Express entire buffer tube/fibers through without cutting
<b>BUFFER SPLICE</b>	=	Splice all fibers in buffer tube color to color

- NOTES**
- Unused fibers left coiled and stored in splice tray.
  - Unused buffer tubes left coiled and stored in splice enclosure.
  - Edge switch configurations are generic. Contractor is responsible for determining/ensuring the proper terminations.

Plans Prepared By:

**DRMP**  
 8000 Regency Parkway, Suite 175  
 Cary, NC 27519  
 NC License No. C-2213 (919) 650-1038

Prepared for the Offices of:

**Elizabeth City Signal System  
 Fiber-Optic Splicing Details**

Division 1 Pasquotank County Elizabeth City

PLAN DATE: April 2018	REVIEWED BY: JE Beck
PREPARED BY: AJ Davis	REVIEWED BY: LM Moon

SCALE: N.T.S.

REVISIONS	INIT.	DATE

DocuSigned by: Lisa M. Moon 8/21/2018  
 SEAL: NORTH CAROLINA PROFESSIONAL ENGINEER LISA M. MOON  
 CADD File name: