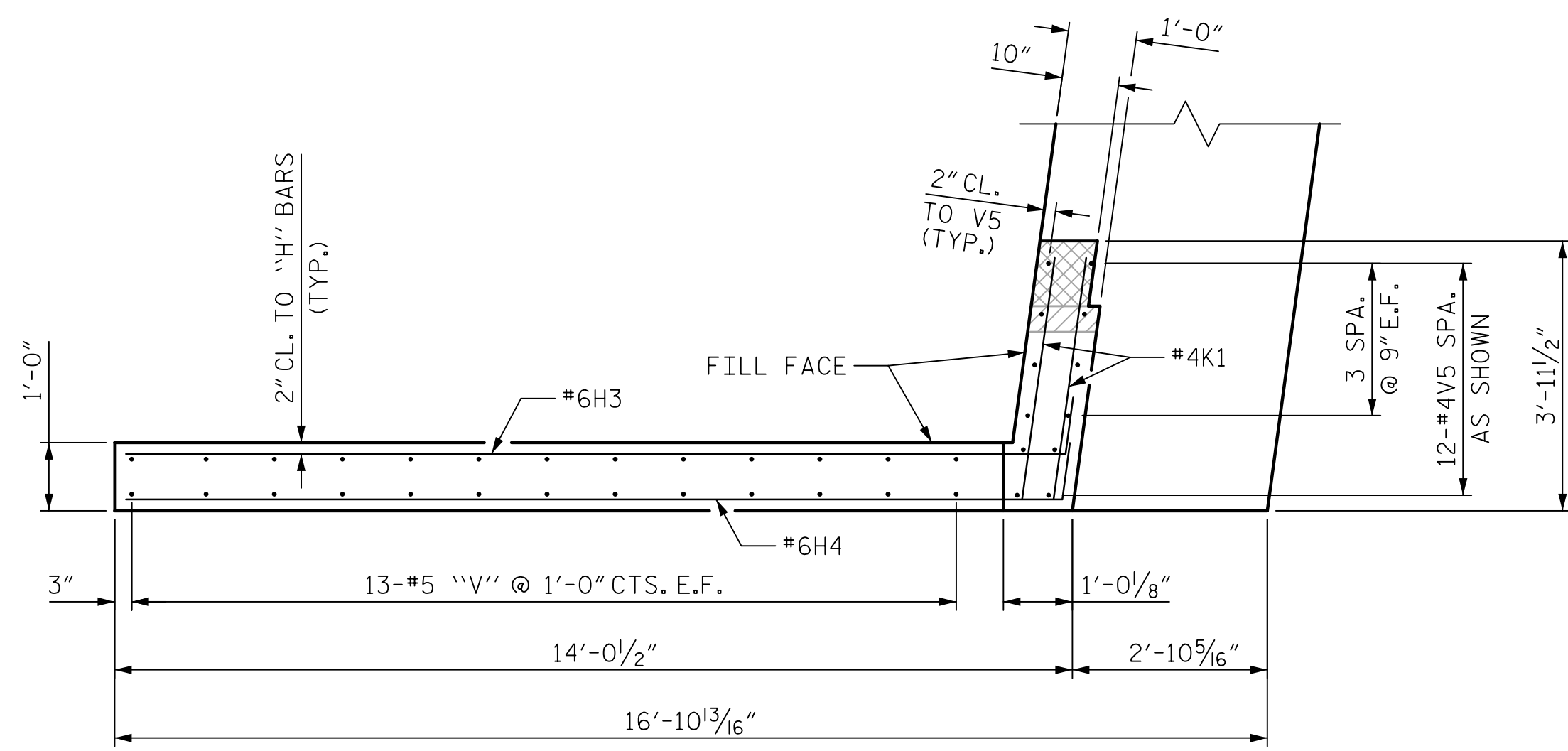
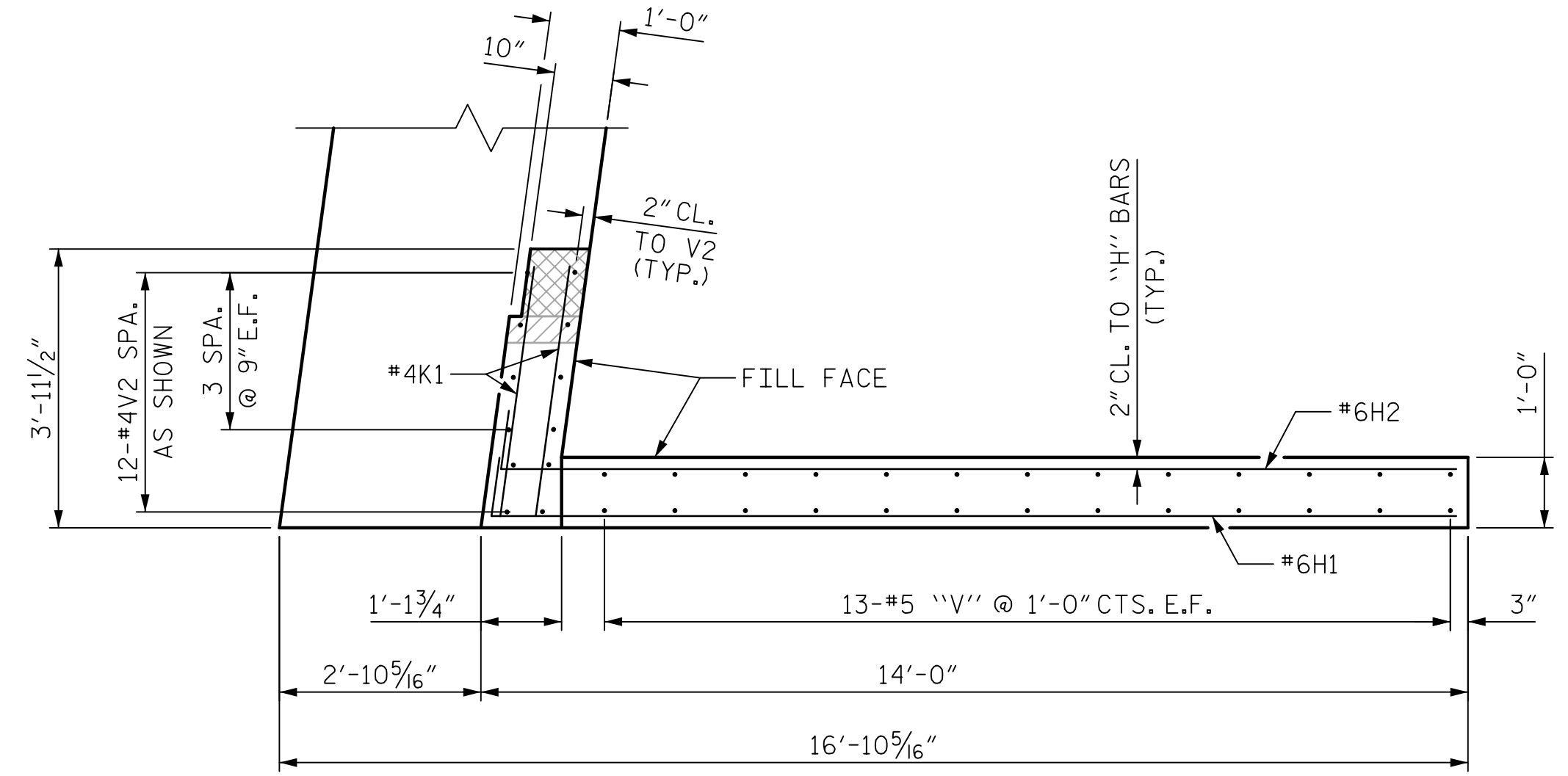


DATE: 6/20/2019  
TIME: 6:04:05 PM

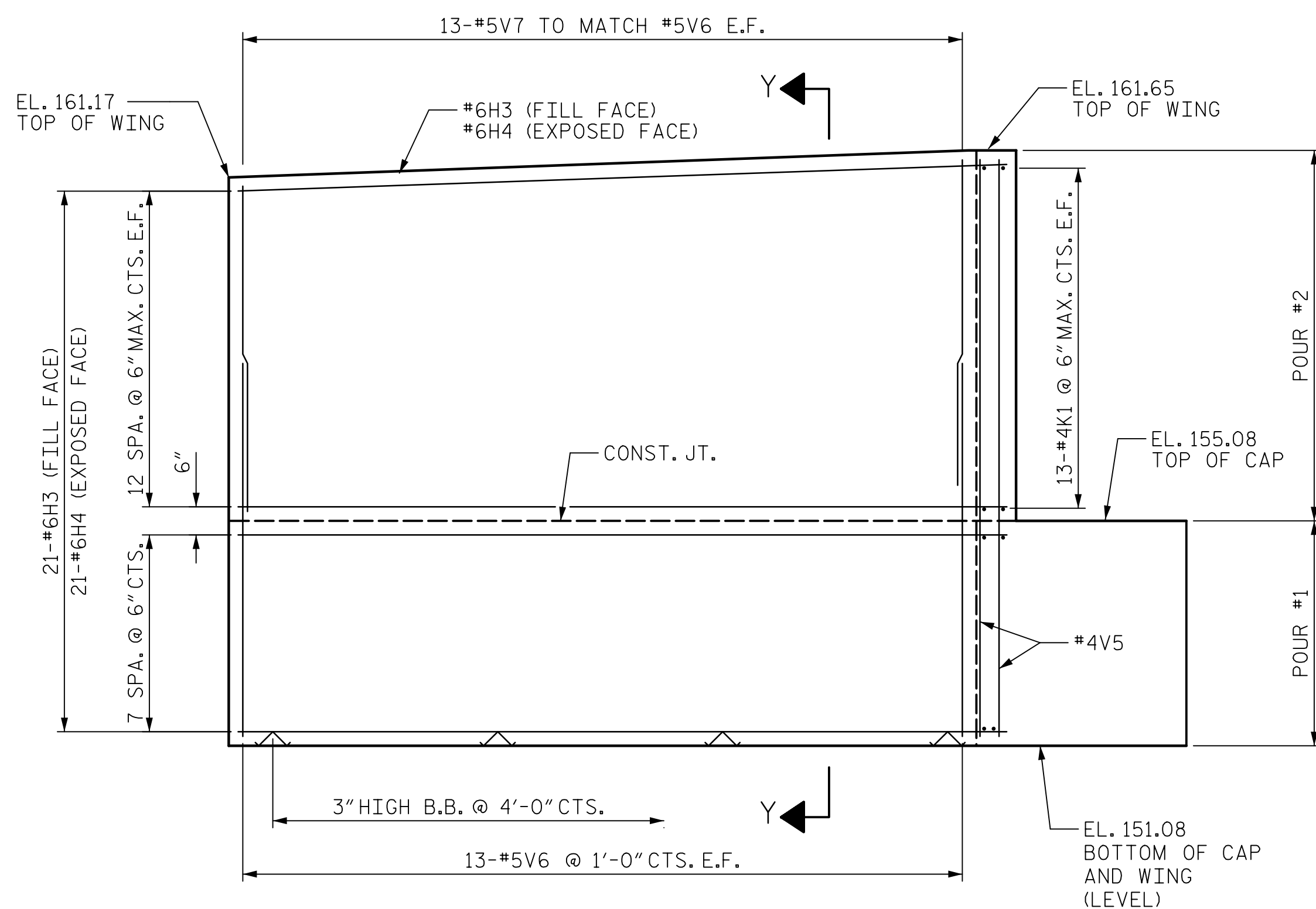
USER: C:\p001\Draws\Projects\60557176 - B-5980\900\_CAD\_GIS\900\_CAD\900\_MCDOT\_TrimStructures04 Drawings\400\_IS\_528\_B5980\_SML\_EBC\_2.dgn



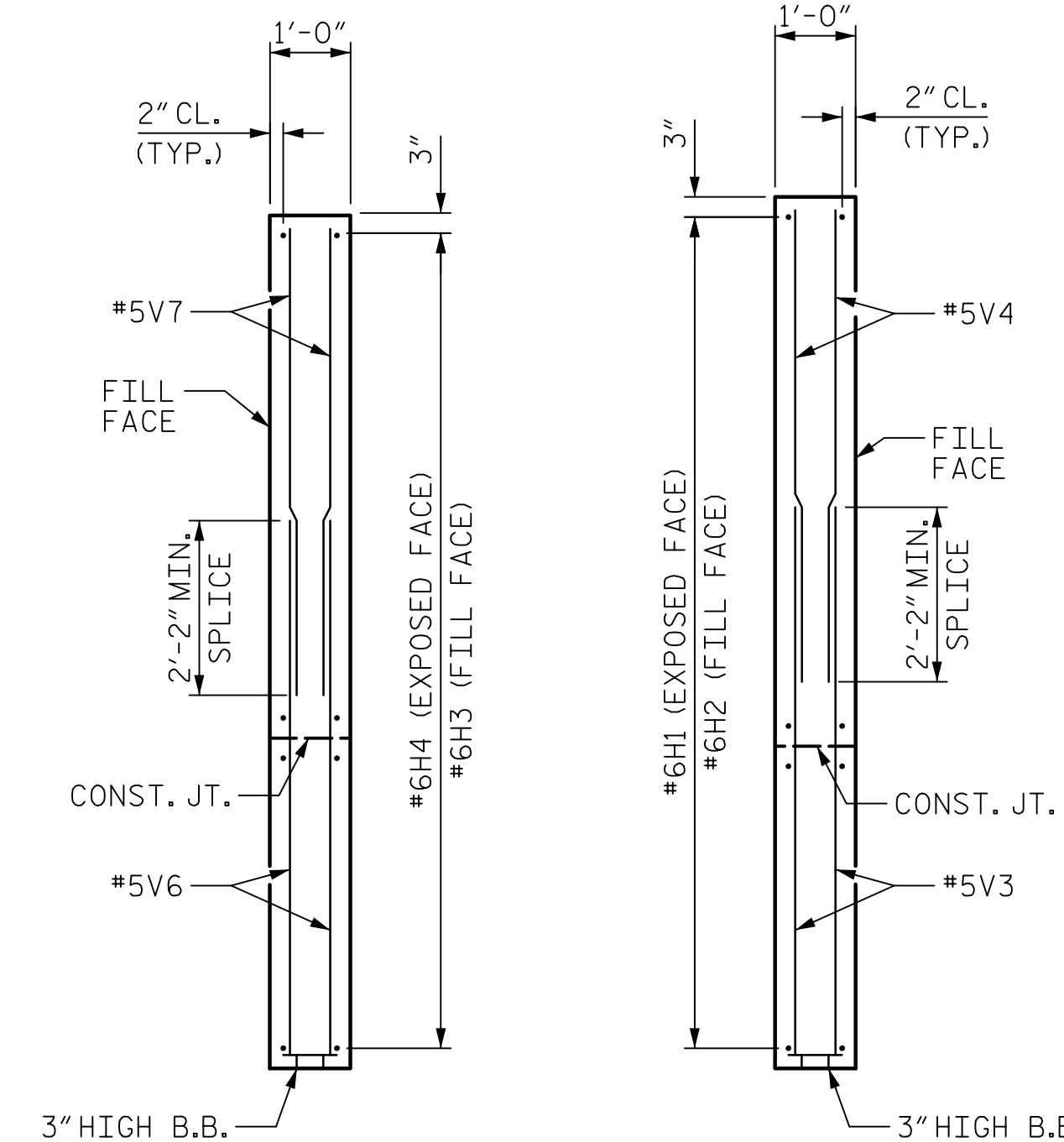
PLAN WING W3



PLAN WING W4

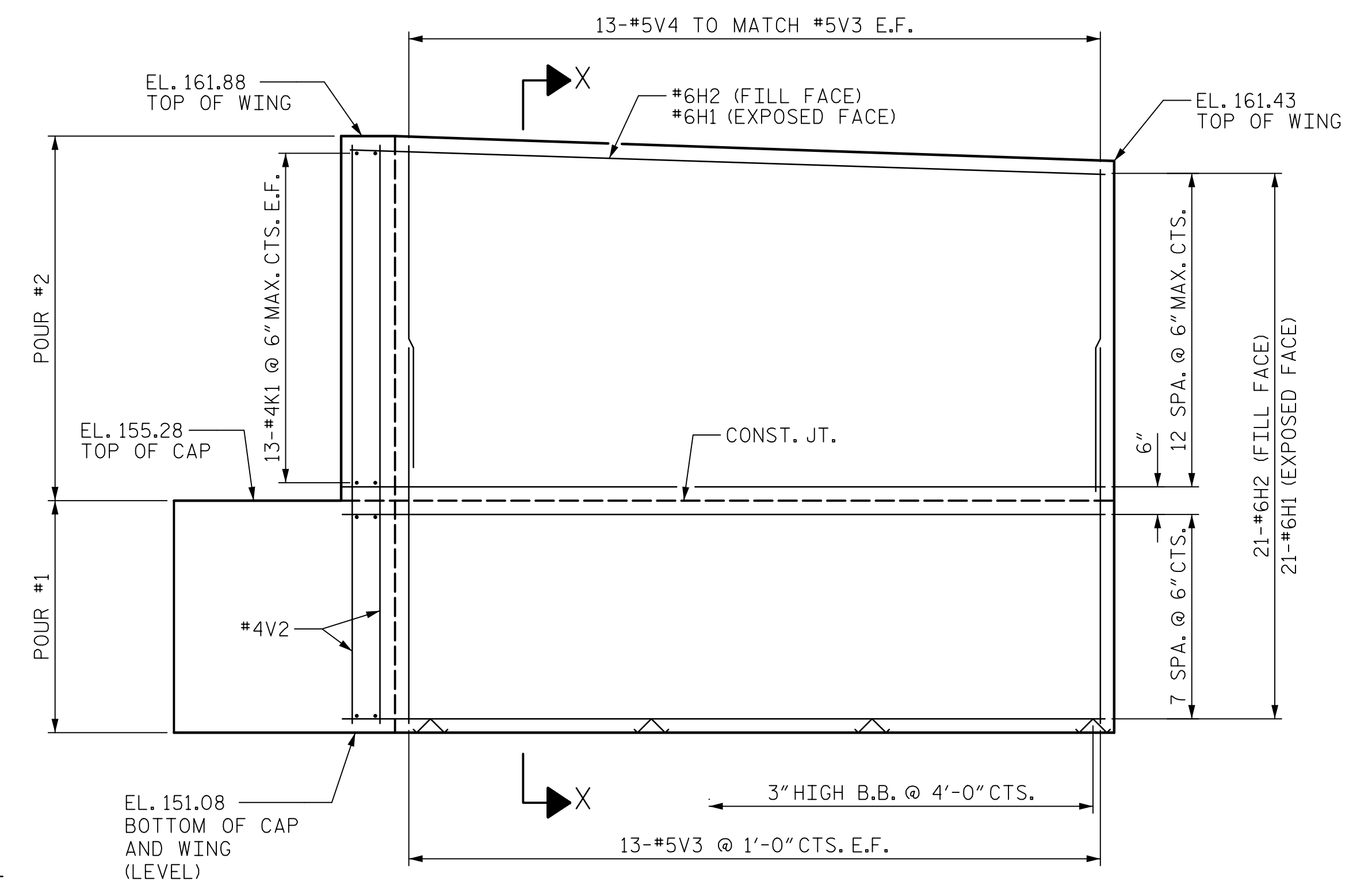


ELEVATION WING W3

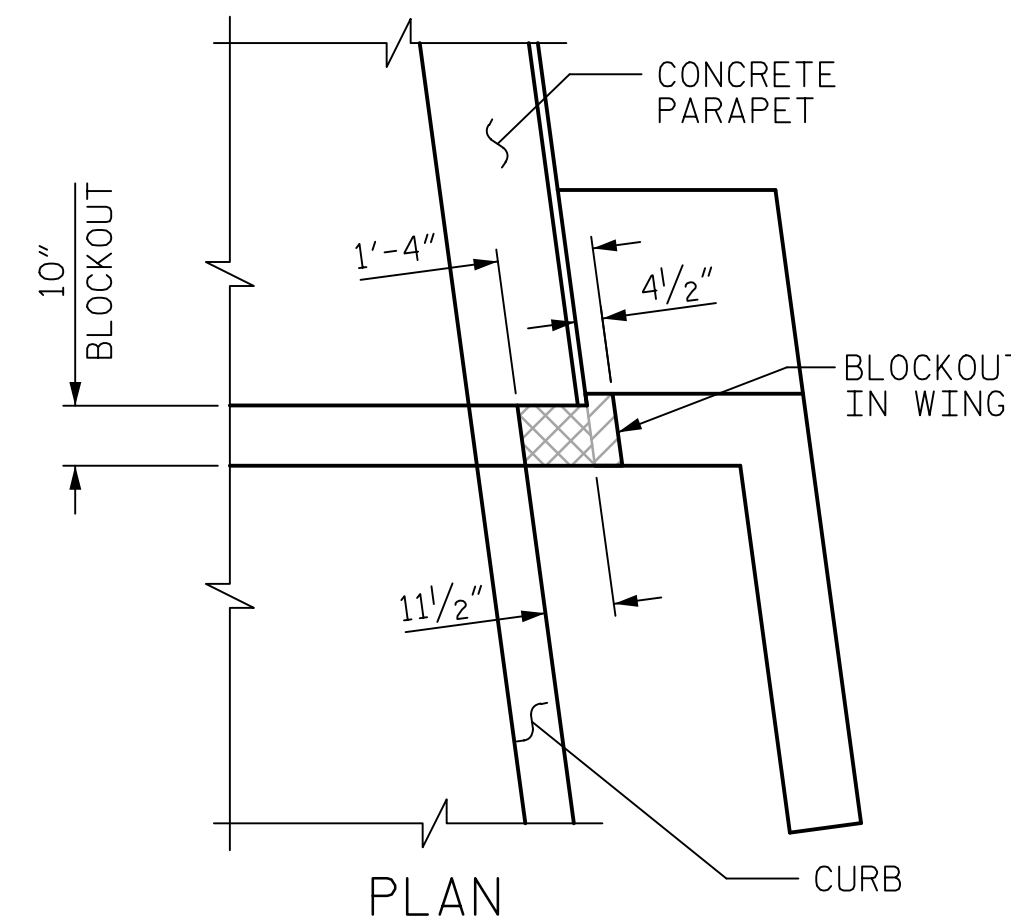


SECTION Y-Y

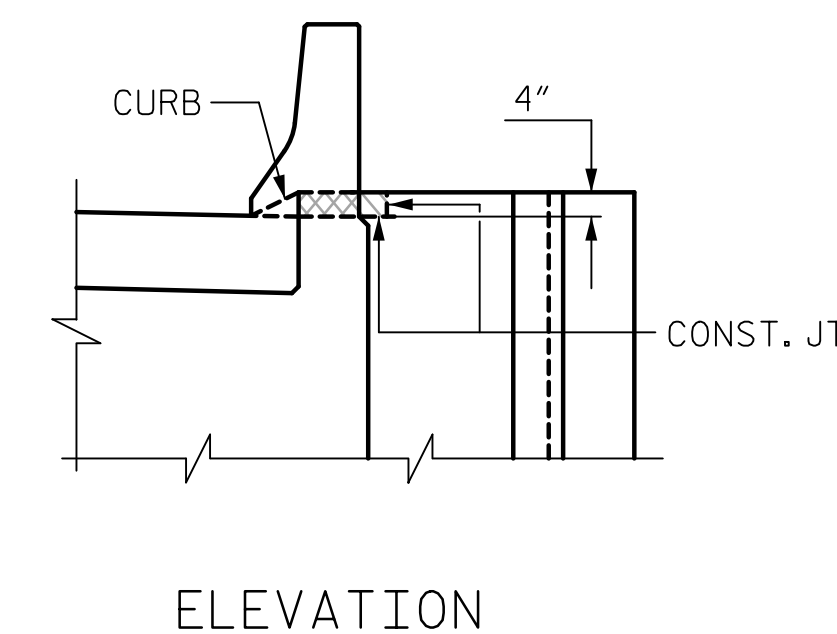
SECTION X-X



ELEVATION WING W4



BLOCKOUT IN WING WALL



ELEVATION

NOTE: CONCRETE SHALL BE POURED IN THE CROSS-HATCHED AREA TO MATCH THE TOP OF CURB AND INTEGRAL END BENT WING ELEVATION, UNLESS OTHERWISE DIRECTED BY THE ENGINEER. THE CONCRETE IN THESE AREAS SHALL BE PLACED AT THE SAME TIME THE BLOCKOUTS IN THE END BENT WINGS ARE POURED.

PROJECT NO. B-5980

NASH COUNTY

STATION: 42+56.82 -Y1-

SHEET 2 OF 3

**AECOM**  
AECOM TECHNICAL SERVICES OF NC, INC.  
701 CORPORATE CENTER DRIVE, SUITE 475  
RALEIGH, NC 27607  
(919) 854-6200  
www.aecom.com  
AECOM License No. F-0342

6/21/2019  
NORTH CAROLINA PROFESSIONAL SEAL  
030474  
ENGINEER  
JOHN C. MORRISON

John C. Morrison  
A2PDE142C82F4A8..

STATE OF NORTH CAROLINA  
DEPARTMENT OF TRANSPORTATION  
RALEIGH  
SUBSTRUCTURE

INTEGRAL END BENT 2

DRAWN BY : T.B. STUMP	DATE : 04/2019
CHECKED BY : D. RITACCO	DATE : 04/2019
DESIGNED BY : D. RITACCO	DATE : 04/2019
DESIGN CHECKED BY : J.C. MORRISON	DATE : 04/2019

DOCUMENT NOT CONSIDERED FINAL UNLESS ALL SIGNATURES COMPLETED

REVISIONS						SHEET NO.
NO.	BY:	DATE:	NO.	BY:	DATE:	S-28
1			3			TOTAL SHEETS
2			4			33