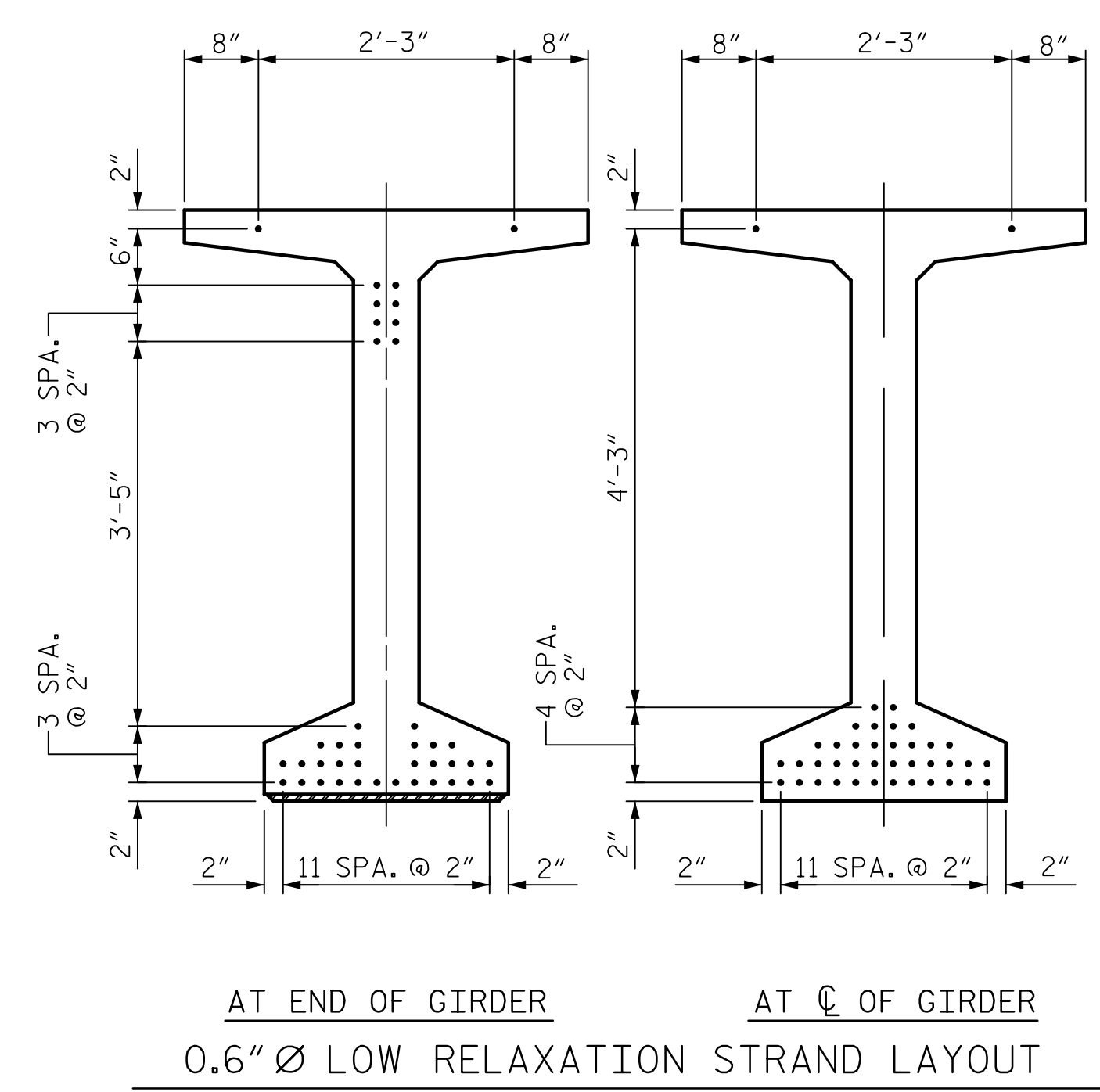
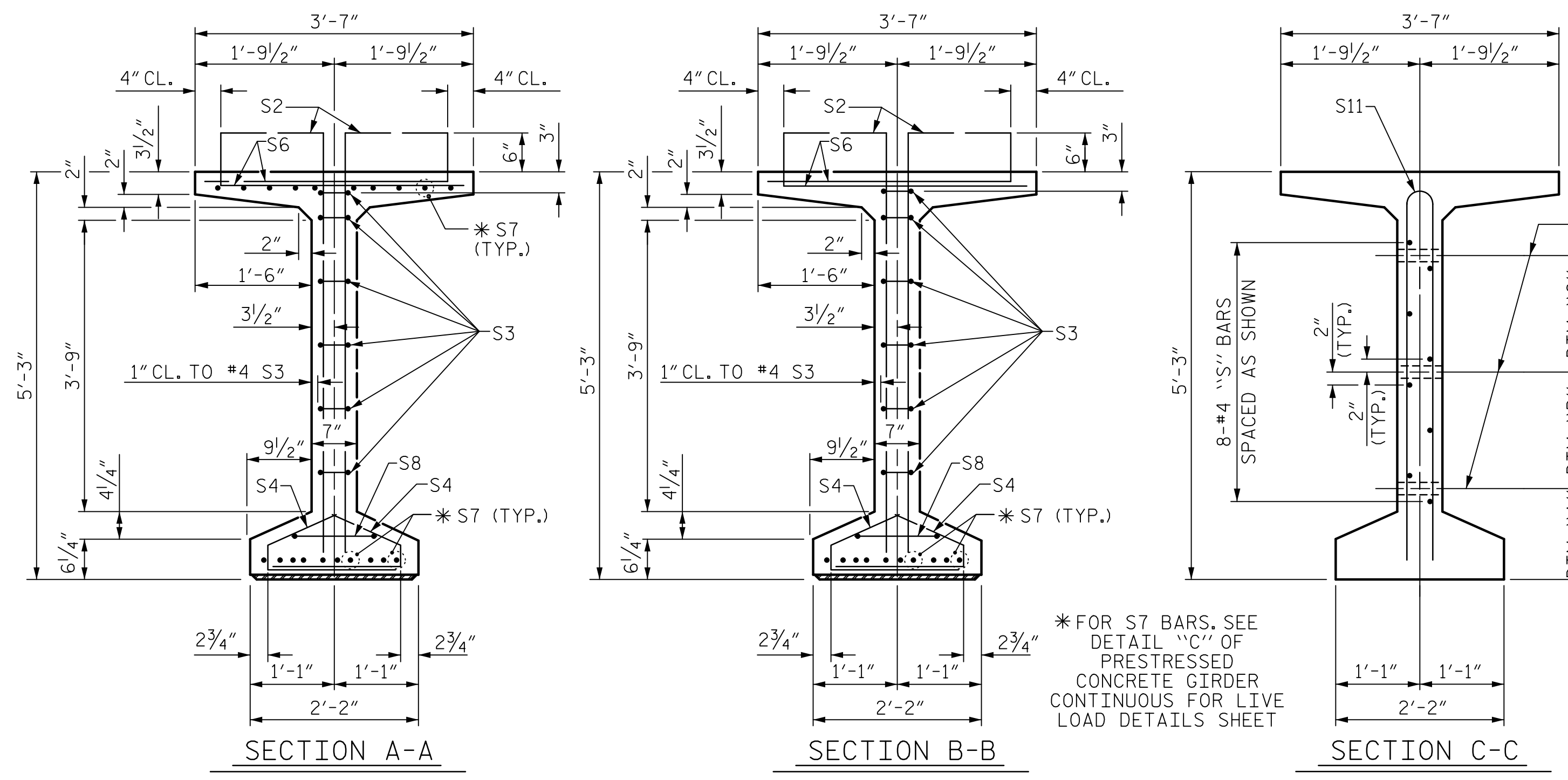


DATE: 6/20/2019
TIME: 6:01:52 PM

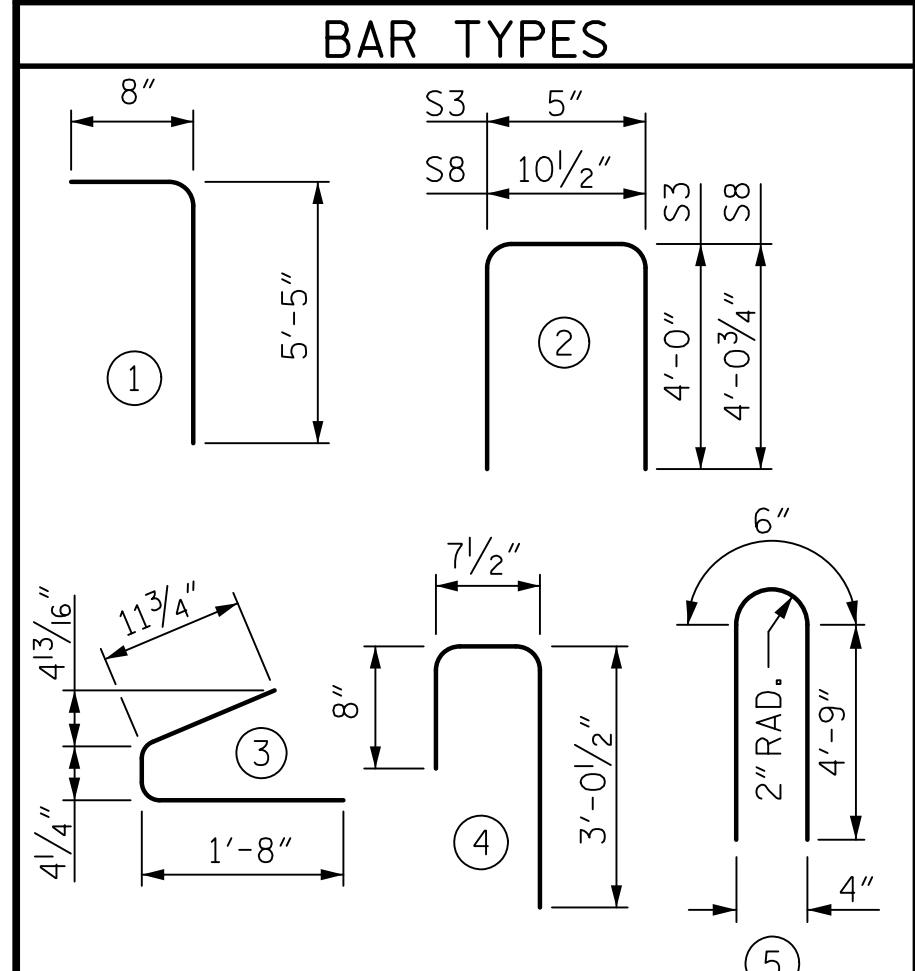
USER: \\p001\DrawPro\james60557176 - B-5980\900_CAD_GIS\900_CAD\VO_MCDOT_T\Structures\04_Drawings\900_23_SIL_B5980_SML_P01.dgn



0.6" Ø L. R. GRADE 270 STRANDS		
AREA (SQ. INCHES)	ULTIMATE STRENGTH (LBS. PER STRAND)	APPLIED PRESTRESS (LBS. PER STRAND)
0.217	58,600	43,950

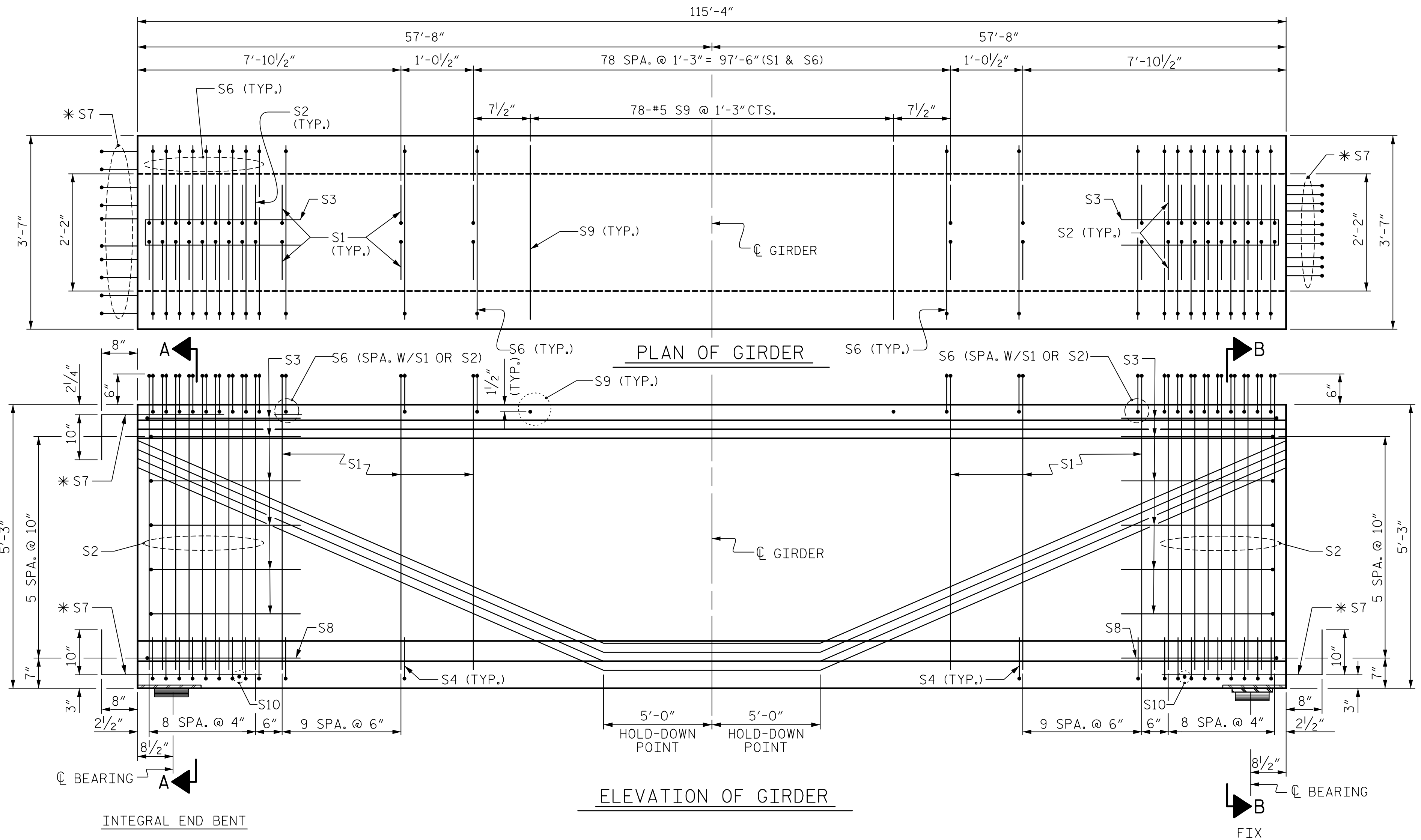
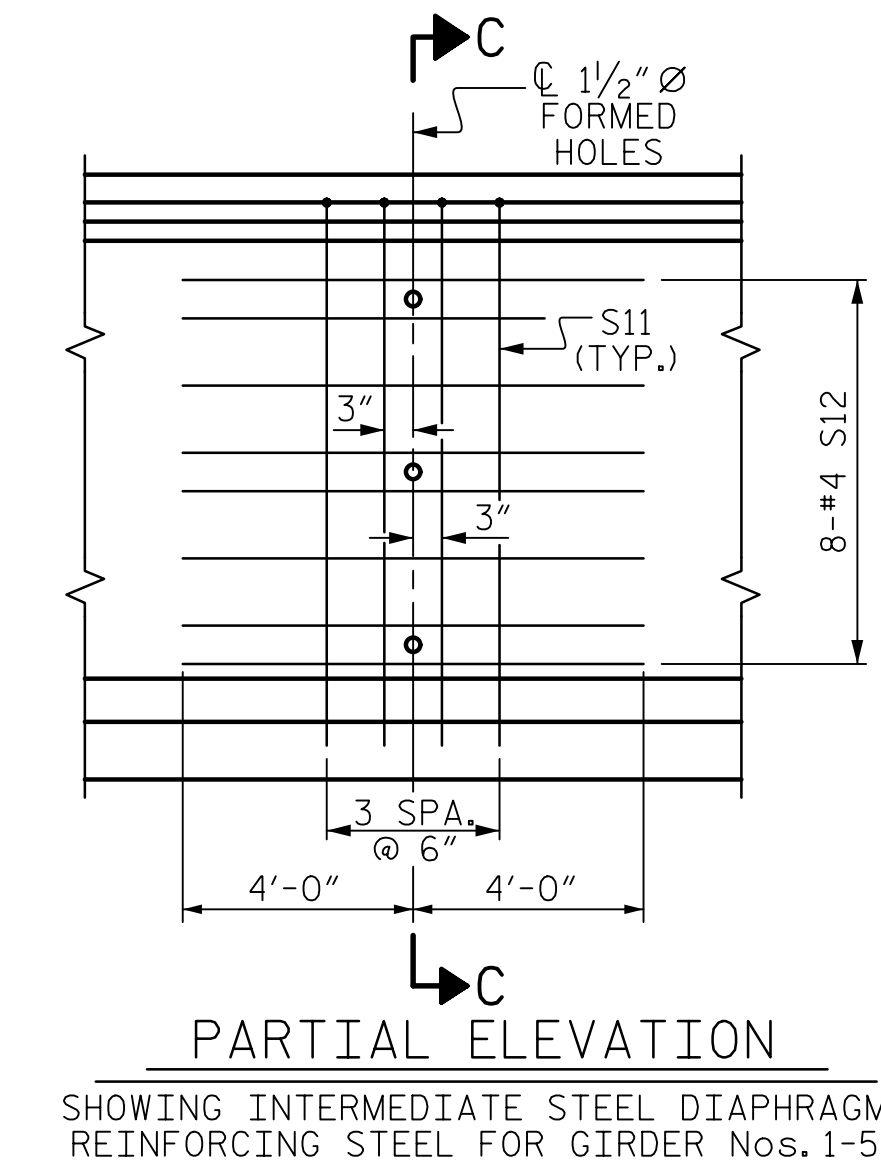
REINFORCING STEEL FOR ONE GDR					
BAR	NUMBER	SIZE	TYPE	LENGTH	WEIGHT
S1	198	#4	1	6'-1"	805
S2	36	#5	1	6'-1"	228
S3	12	#4	2	8'-5"	67
S4	76	#4	3	3'-0"	152
S6	234	#5	4	4'-4"	1058
*S7	30	#5	STR	3'-8"	115
S8	2	#5	2	9'-0"	19
S9	78	#5	STR	3'-3"	264
S10	2	#3	STR	1'-10"	1
S11	8	#5	5	10'-0"	83
S12	16	#4	STR	8'-0"	86

* NOTE: S7 BARS SHALL BE BENT BEFORE SHIPMENT. HEAT BENDING SHALL NOT BE ALLOWED.



QUANTITIES FOR ONE GIRDER			
	REINFORCING STEEL	9000 PSI CONCRETE	0.6" Ø L.R. STRANDS
	LB.	C.Y.	No.
GDR'S A1-A5	2878	22.8	40

GIRDERS REQUIRED		
NUMBER	LENGTH	TOTAL LENGTH
5	115'-4"	576'-8"



PROJECT NO. B-5980
NASH COUNTY
STATION: 42+56.82 -Y1-
SHEET 1 OF 5

AECOM
AECOM TECHNICAL SERVICES OF NC, INC.
701 CORPORATE CENTER DRIVE, SUITE 475
RALEIGH, NC 27607
(919) 854-6200
www.aecom.com
AECOM License No. F-0342

6/21/2019
NORTH CAROLINA PROFESSIONAL ENGINEER
SEAL 030474
JOHN C. MORRISON

John C. Morrison
A2PDE142C82F4A8

STATE OF NORTH CAROLINA DEPARTMENT OF TRANSPORTATION RALEIGH					
SUPERSTRUCTURE					
63" PRESTRESSED CONCRETE MODIFIED BULB TEE CONTINUOUS FOR LIVE LOAD SPAN A					
REVISIONS					SHEET NO.
NO.	BY:	DATE:	NO.	BY:	DATE:
1			3		
2			4		
					S-12
					TOTAL SHEETS 33

DOCUMENT NOT CONSIDERED FINAL UNLESS ALL SIGNATURES COMPLETED

ASSEMBLED BY: T.B. STUMP	DATE: 2/2019
CHECKED BY: J.C. MORRISON	DATE: 2/2019
DRAWN BY: EEM 2/6/97	REV. 6/13 MAA/GM
CHECKED BY: VAP 2/6/97	REV. 1/15 MAA/TMG
	REV. 12/17 MAA/THC