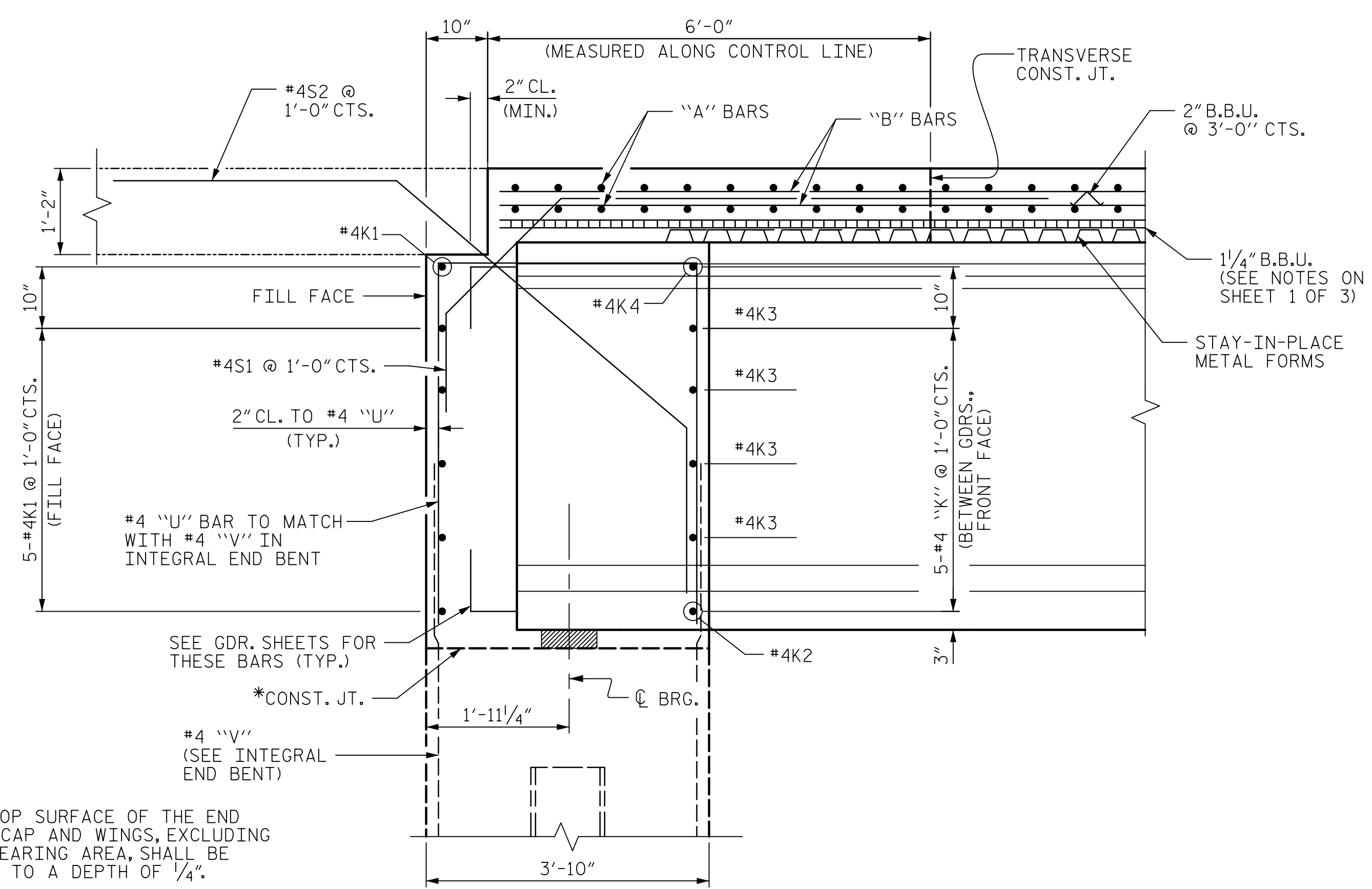
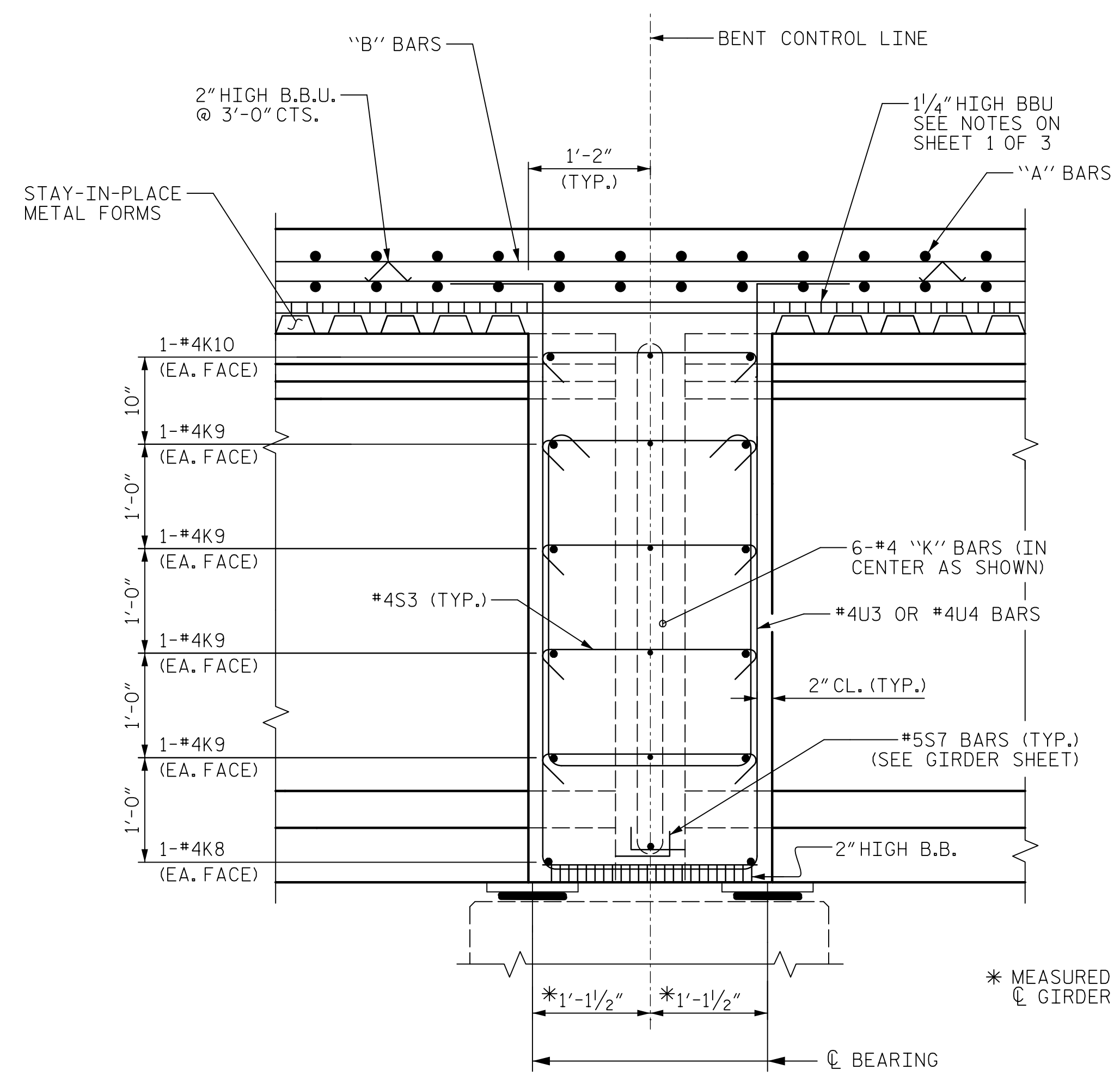


DATE: 6/20/2019
TIME: 6:00:46 PM

USER: J:\p001\Drawings\Projects\60557176 - B-5980\900_CAD_GIS\900_CAD\GDR\TIP\Structures\04 Drawings\400_13_SOT_BB990_SMLT_53.dgn
DGN: J:\p001\Drawings\Projects\60557176 - B-5980\900_CAD_GIS\900_CAD\GDR\TIP\Structures\04 Drawings\400_13_SOT_BB990_SMLT_53.dgn

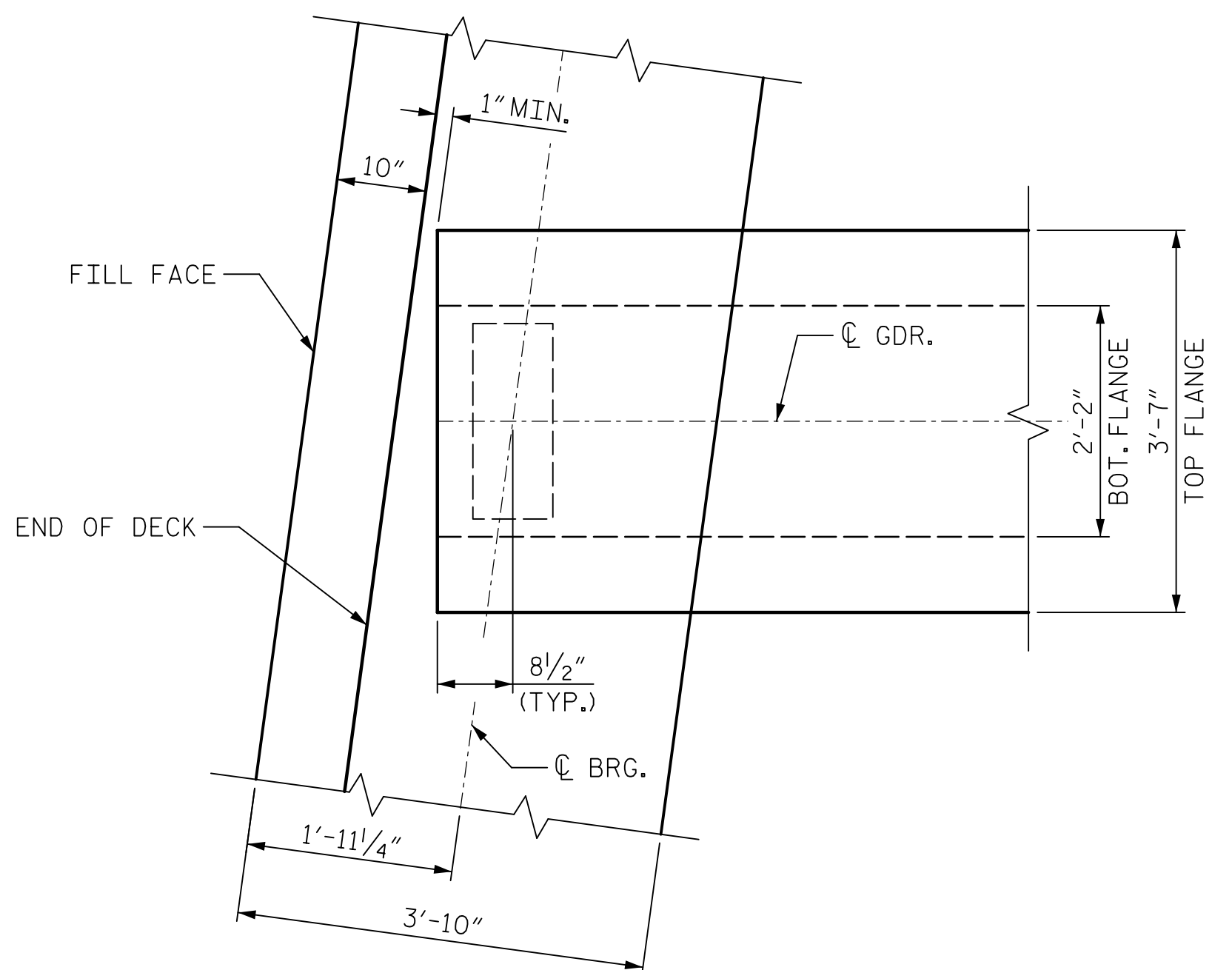


SECTION THRU INTEGRAL END BENT

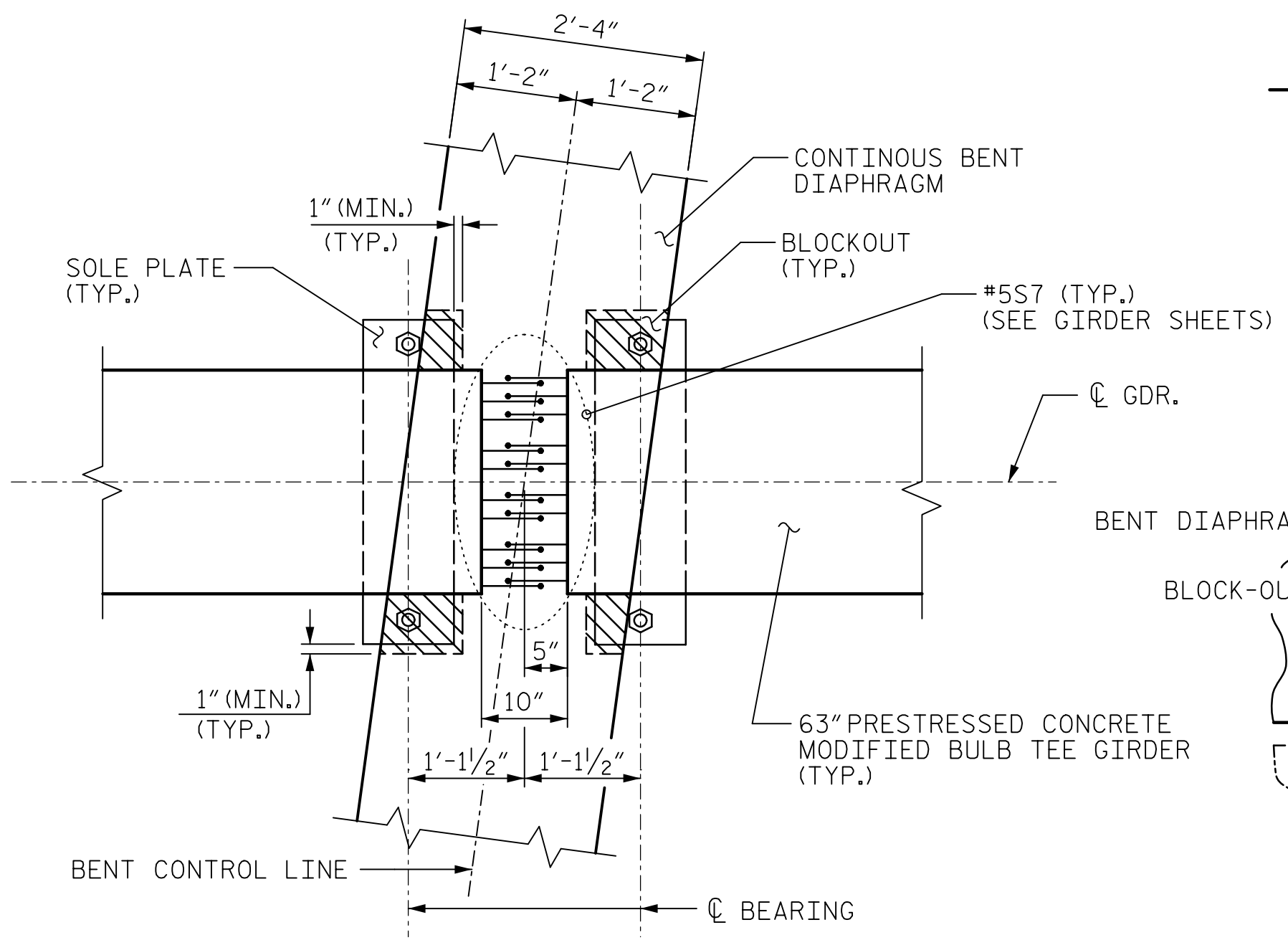


SECTION THRU BENT DIAPHRAGM

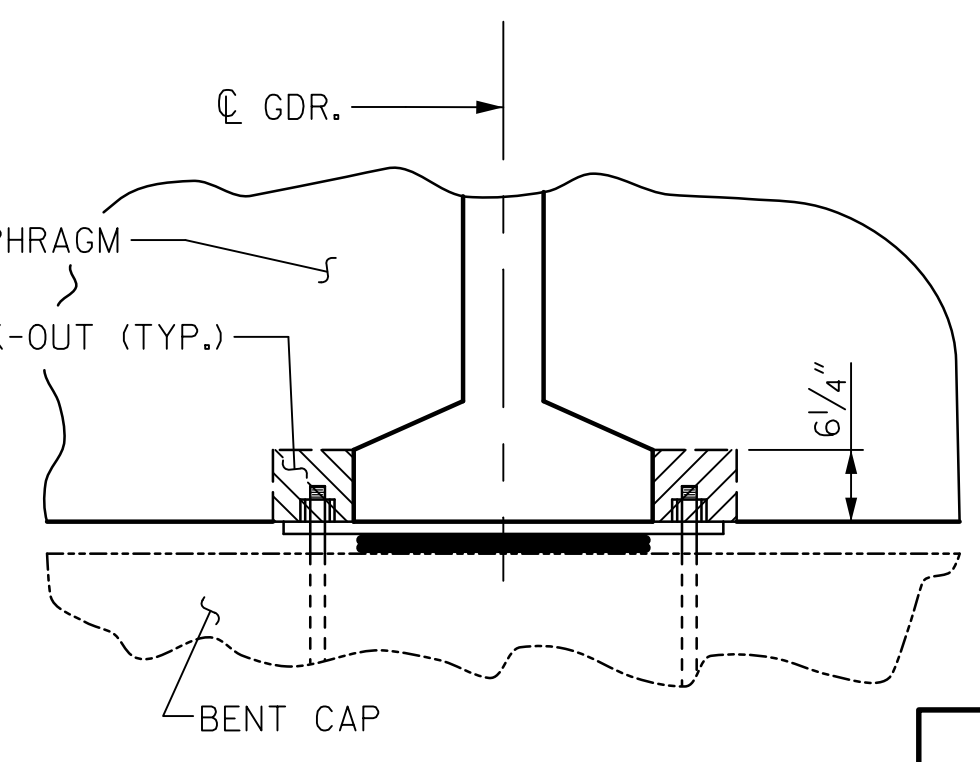
(SECTION NORMAL TO BENT DIAPHRAGM)



PLAN OF GIRDER AT INTEGRAL END BENT



PLAN



SECTION

BENT DIAPHRAGM BLOCK-OUT DETAIL

PROJECT NO. B-5980
NASH COUNTY
STATION: 42+56.82 -Y1-

SHEET 3 OF 3

AECOM
AECOM TECHNICAL SERVICES OF NC, INC.
701 CORPORATE CENTER DRIVE, SUITE 475
RALEIGH, NC 27607
(919) 854-6200 www.aecom.com
AECOM License No. F-0342

6/21/2019
NORTH CAROLINA
PROFESSIONAL
SEAL
030474
ENGINEER
JOHN C. MORRISON
John C. Morrison
A2FDE142C82F4A8

STATE OF NORTH CAROLINA
DEPARTMENT OF TRANSPORTATION
RALEIGH

SUPERSTRUCTURE
TYPICAL SECTION
AND DETAILS

DRAWN BY : T.B. STUMP DATE : 02/2019
CHECKED BY : J.C. MORRISON DATE : 02/2019
DESIGNED BY : T.B. STUMP DATE : 02/2019
DESIGN CHECKED BY : J.C. MORRISON DATE : 02/2019

DOCUMENT NOT CONSIDERED
FINAL UNLESS ALL
SIGNATURES COMPLETED

REVISIONS						SHEET NO.
NO.	BY:	DATE:	NO.	BY:	DATE:	S-07
1			3			TOTAL SHEETS
2			4			33