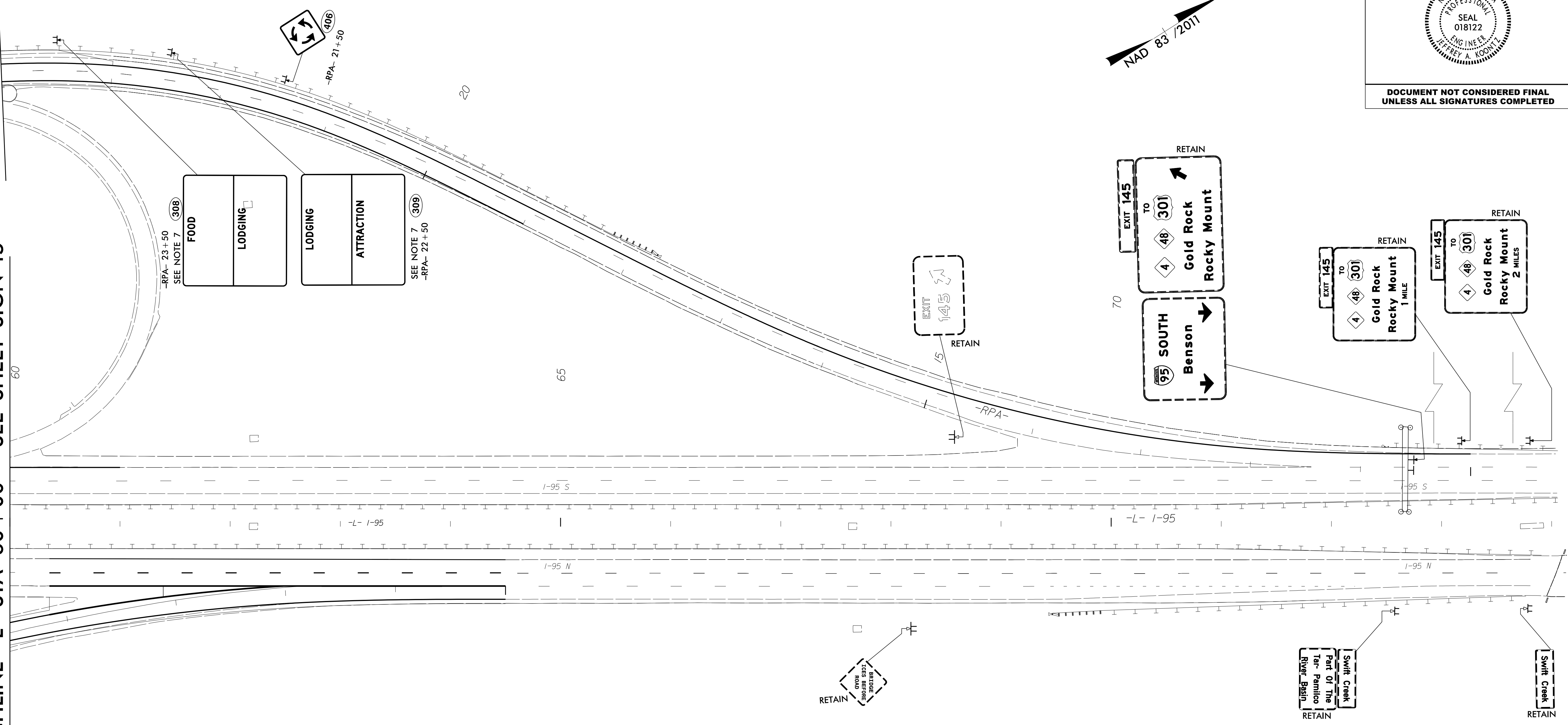


TIP NO. B-5980	SHEET NO. SIGN-16
APPROVED: <i>Jeffrey D. Kootz</i> 4/15/2020	
DATE: 4/15/2020	
SEAL	
DOCUMENT NOT CONSIDERED FINAL UNLESS ALL SIGNATURES COMPLETED	

MATCHLINE -RPA- STA 24+00  
SEE SHEET SIGN-15

MATCHLINE -L- STA 60+00 - SEE SHEET SIGN-15



**PROJECT NOTES**

1. DISPOSAL OF SIGN SYSTEM, U-CHANNEL
  2. NOT USED
  3. RELOCATE SIGN, TYPE E
  4. DISPOSAL OF SIGN, MILEMARKERS
  5. DISPOSAL OF SIGN, A OR B (OVERHEAD)
  6. DISPOSAL OF LIGHTING SYSTEM
  7. CONTACT DOUG DRAKE, DIVISION 4 LOGO  
COORDINATOR 252-640-6534
- ★ SIGNALIZED INTERSECTION

**PROPOSED SIGNING**  
-L1- 60+00 STA TO -L1- STA 74+00

2/20/2020  
R:\Traffic\Control\TCP\B5980\_sign\_16\_PROPOSED.dgn  
User: jdk