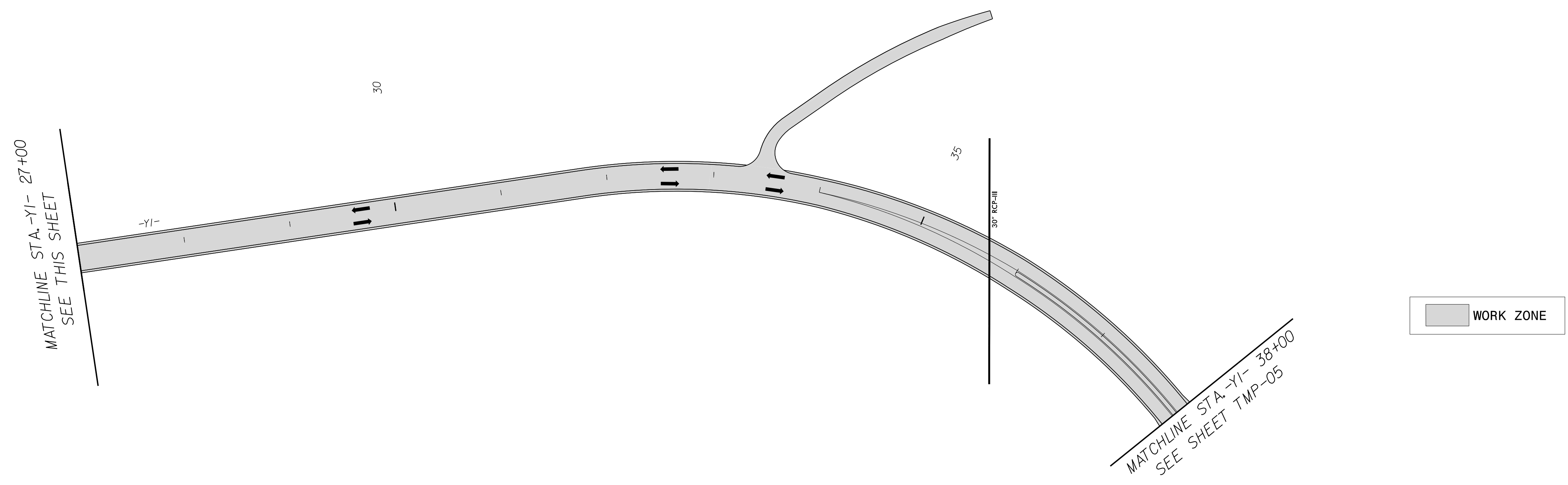
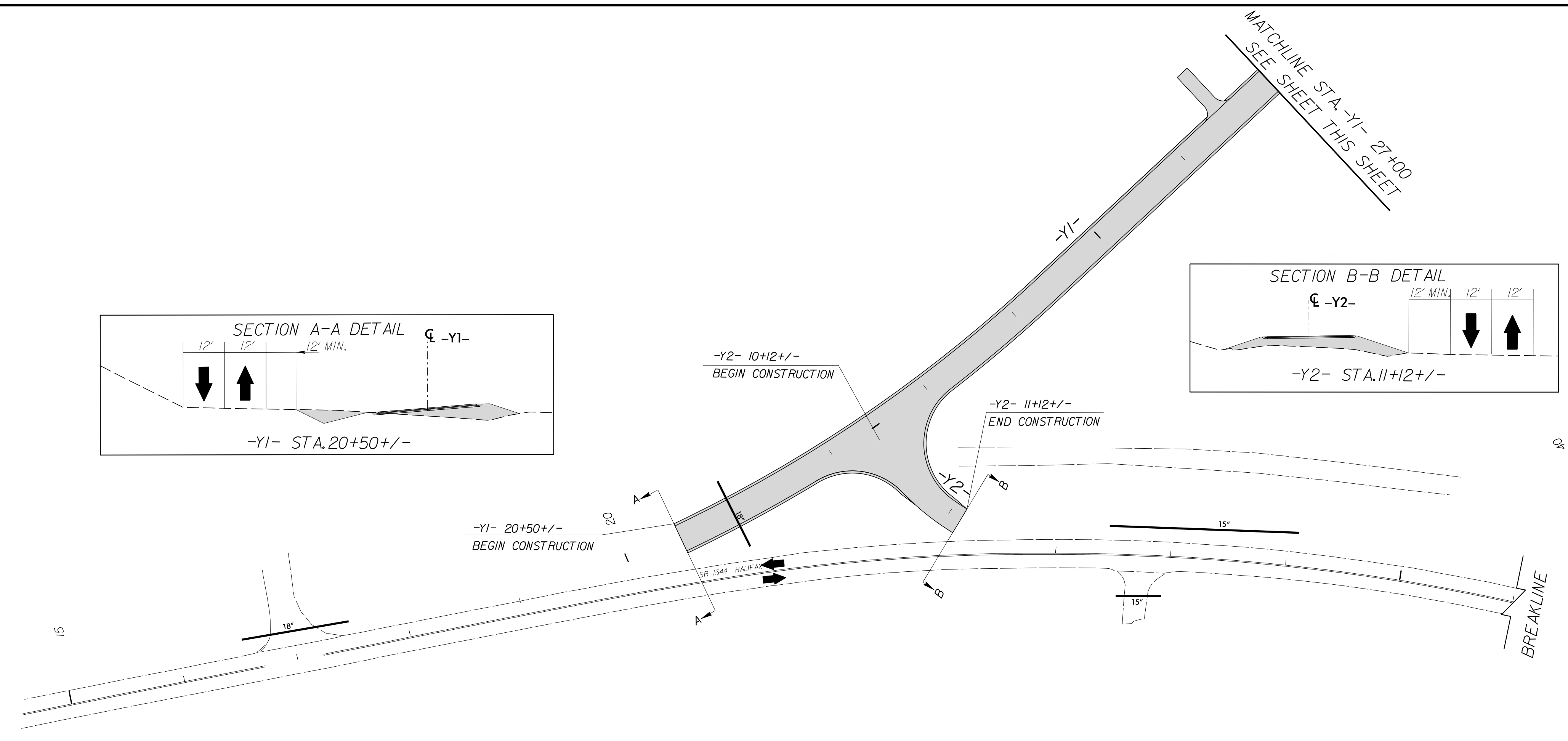
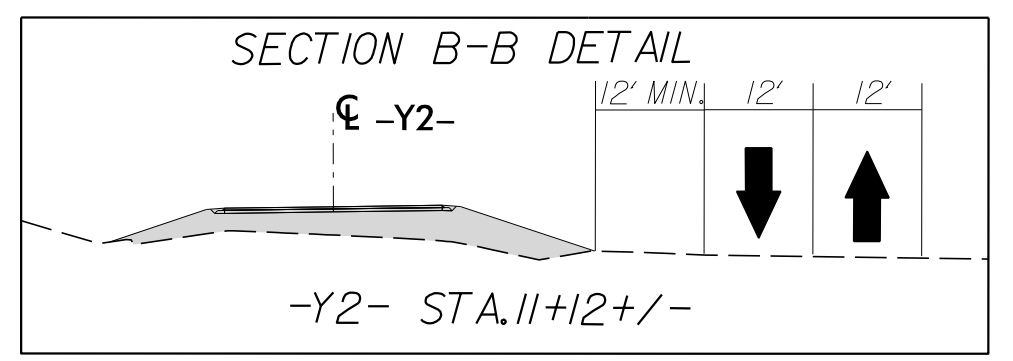
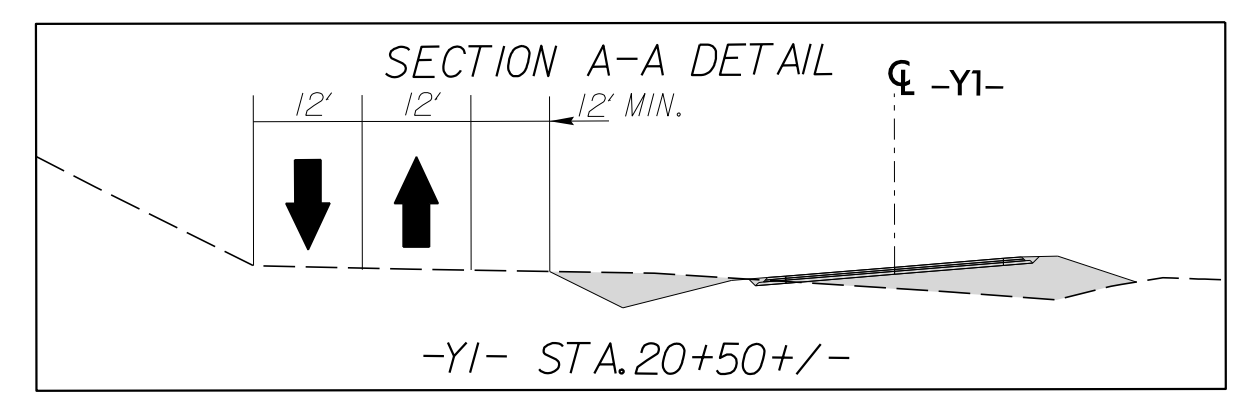
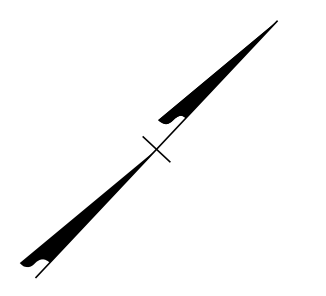


PROJ. REFERENCE NO.	SHEET NO.
B-5980	TMP-06



2/21/2020
 R:\TrafficControl\CP\B5980.TC_TMP_06_Phase I.Y1.dgn
 User:jeff.koontz

Approved: *Jeffrey A. Koontz*
 DATE: 4/15/2020



PHASE I
-Y1-
DETAILS

DOCUMENT NOT CONSIDERED FINAL UNLESS ALL SIGNATURES COMPLETED