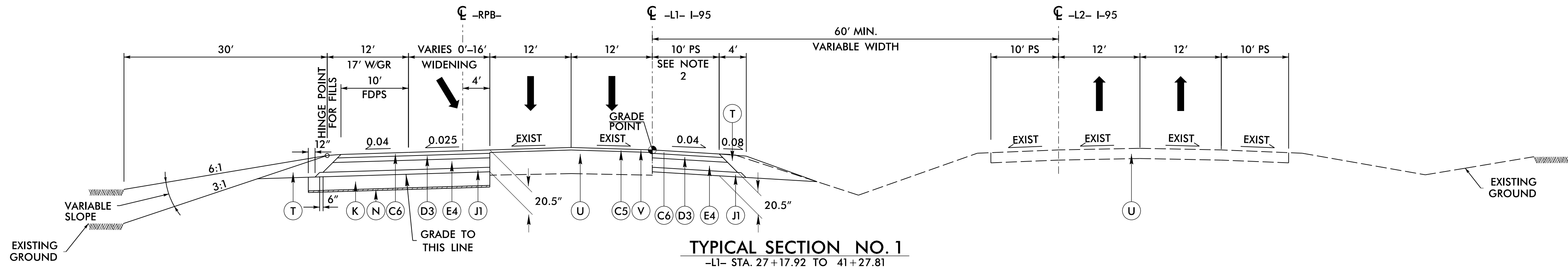


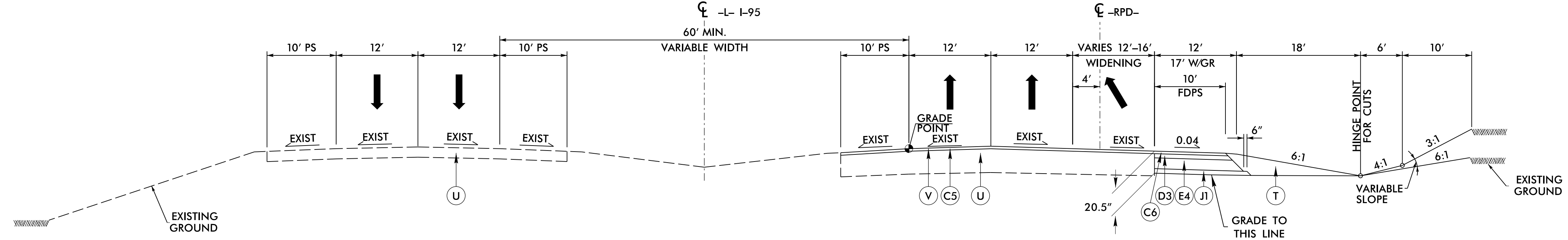
6/2/2021

3/1/2021
 R:\Roadway\NProj\B5980_rdy_typ.dgn
 Mccormack

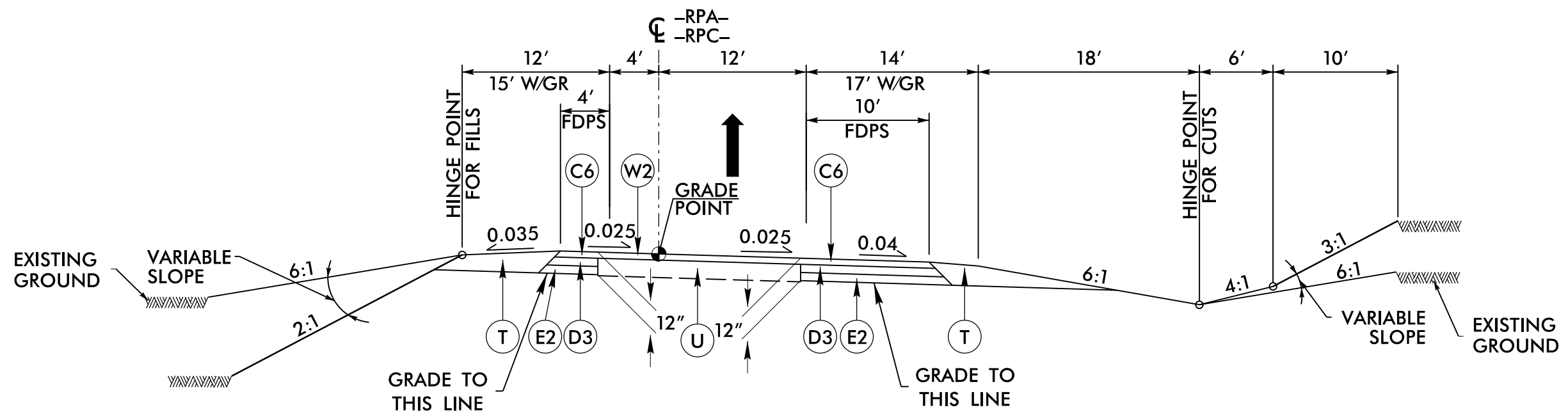
PROJECT REFERENCE NO. B-5980	SHEET NO. 2A-2
ROADWAY DESIGN ENGINEER	PAVEMENT DESIGN ENGINEER
Prepared in the Office of: AECOM NC FIRM LICENSE No: F-0342 701 Corporate Center Drive, Suite 475 Raleigh, NC 27601 1919 854-6200 • 1919 854-6259 FAX	
DOCUMENT NOT CONSIDERED FINAL UNLESS ALL SIGNATURES COMPLETED	



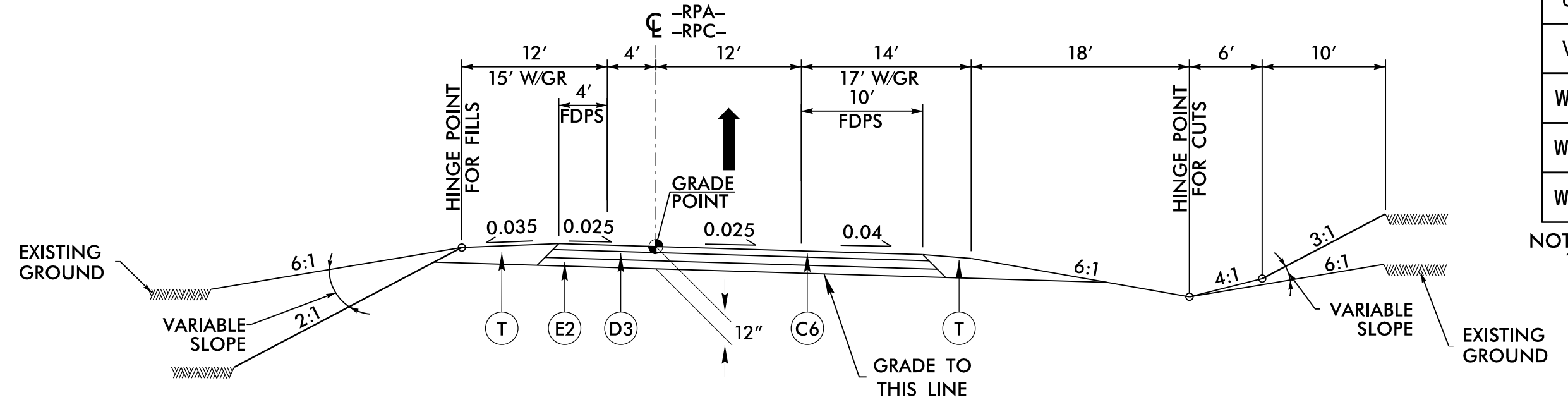
TYPICAL SECTION NO. 1
 -L1- STA. 27+17.92 TO 41+27.81
 NOTE 1: MATCH THE NEW ABC LAYER TO THE EXISTING DRAINAGE SAND LAYER LOCATED OUTSIDE OF THE PROPOSED WIDENING
 NOTE: SOIL STABILIZATION AND SHALLOW UNDERCUT FROM STA. 27+18.00 TO 41+28.00 (OFFSET VARIES SEE XSC FOR DETAILS)
 NOTE 2: SHOULDER RECONSTRUCTION -L1- STA. 20+80.00 TO 49+00.00



TYPICAL SECTION NO. 2
 -L- STA. 60+35.90 TO 64+50.07
 NOTE: MATCH THE NEW ABC LAYER TO THE EXISTING DRAINAGE SAND LAYER LOCATED OUTSIDE OF THE PROPOSED WIDENING



TYPICAL SECTION NO. 3
 -RPA- STA. 23+00.00 TO 25+81.40
 -RPC- STA. 14+00.00 TO 17+25.36
 TRANSITION FROM TYPICAL SECTION NO. 3 TO NO. 4
 -RPA- STA. 24+91.67 TO 25+81.40
 -RPC- STA. 15+60.50 TO 17+25.36



TYPICAL SECTION NO. 4
 -RPA- STA. 25+81.40 TO 30+96.96
 -RPC- STA. 17+25.36 TO 21+17.41

A1	11" CONC. PAVE. W/ DOWELS
A2	TRUCK APRON
C1	1.5" S9.5C
C2	2" S9.5C
C3	3" S9.5C
C4	VAR. S9.5C
C5	1.5" S9.5D
C6	3" S9.5D
C7	VAR. S9.5D
D1	2.5" I19.0C
D2	3" I19.0C
D3	4" I19.0C
D4	VAR. I19.0C
E1	4" B25.0C
E2	5" B25.0C
E3	7.5" B25.0C
E4	9.5" B25.0C
E5	VAR. B25.0C
J1	4" ABC
J2	6" ABC
J3	8" ABC
K	12" CLS IV SBGRD STBL
N	GEOTX FOR SOIL STBL
R1	1'-6" C&G
R2	5" MONO CONC ISLAND
R3	1'-6" C&G (11' DEPTH)
T	EARTH MATERIAL
U	EXIST. PVMNT.
V	1.5" MILLING
W1	WEDGE DET. NO. 1
W2	WEDGE DET. NO. 2
W3	WEDGE DET. NO. 3

NOTE: PAVEMENT EDGE SLOPES ARE 1:1 UNLESS SHOWN OTHERWISE