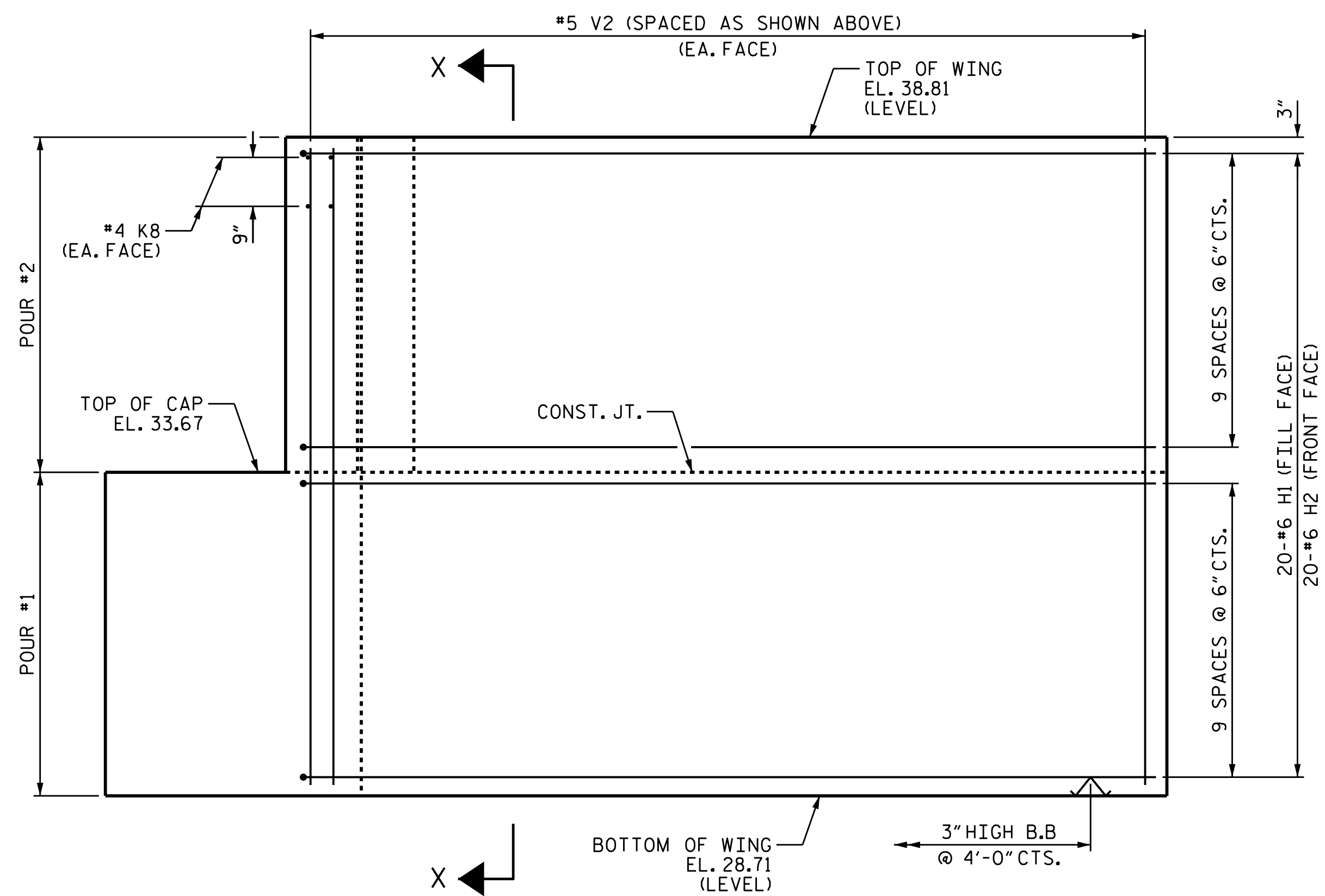
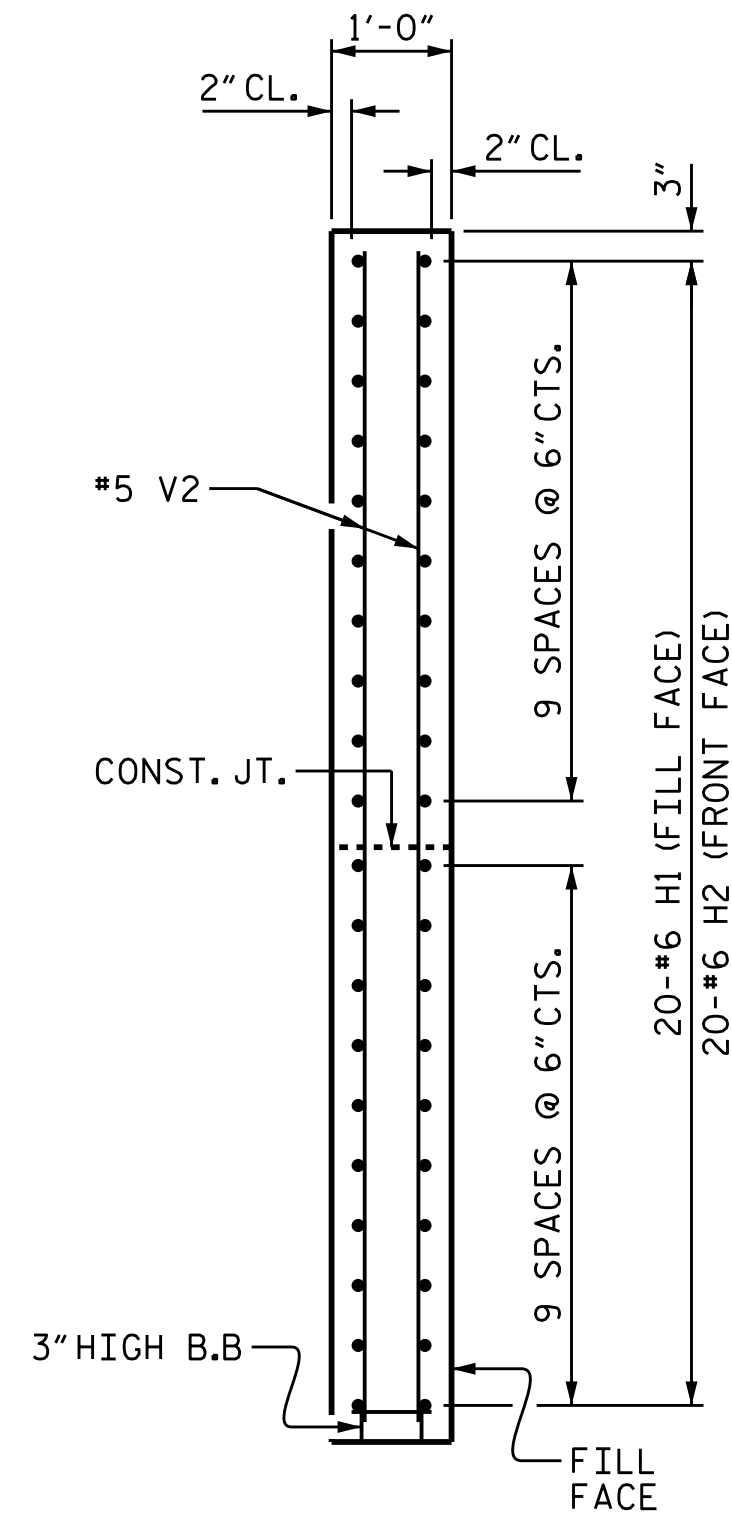


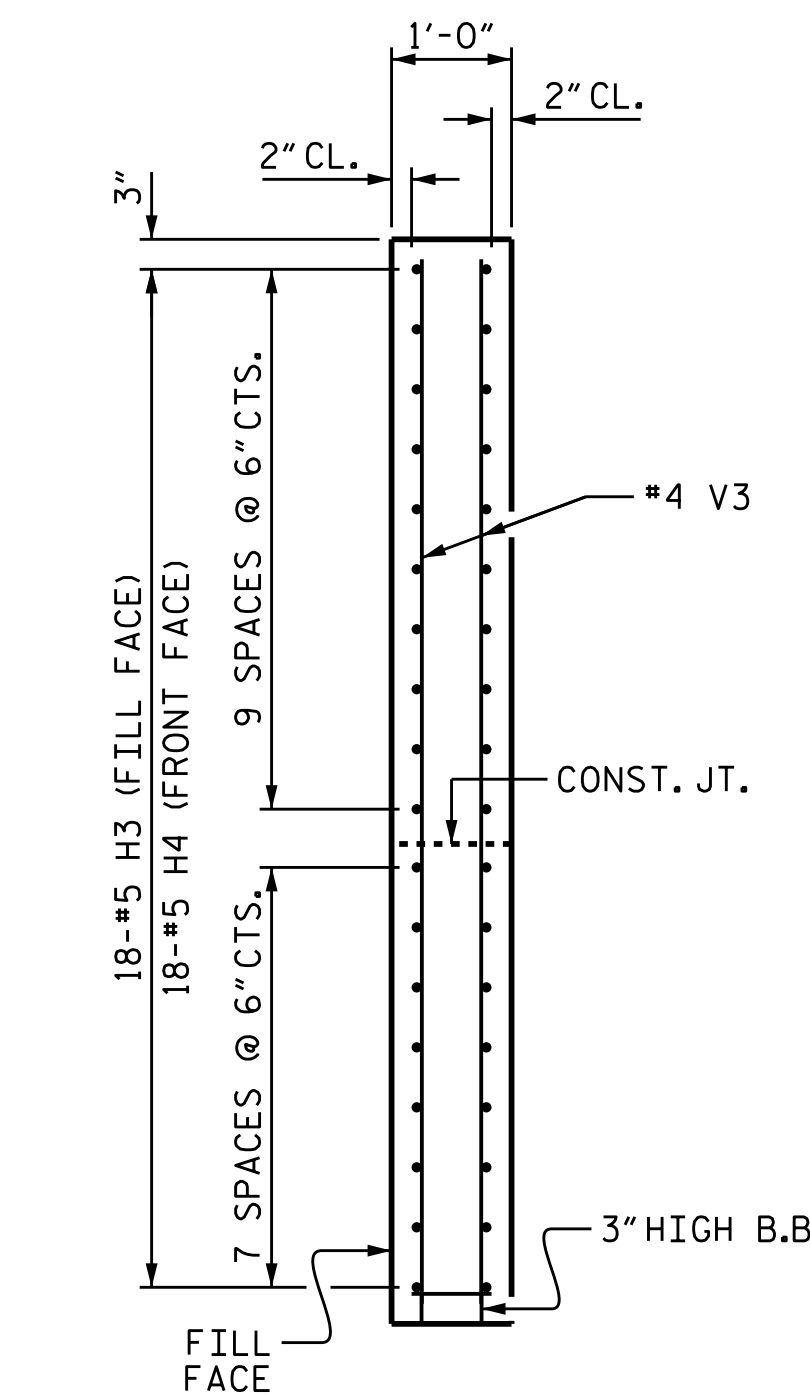
PLAN OF WING W1



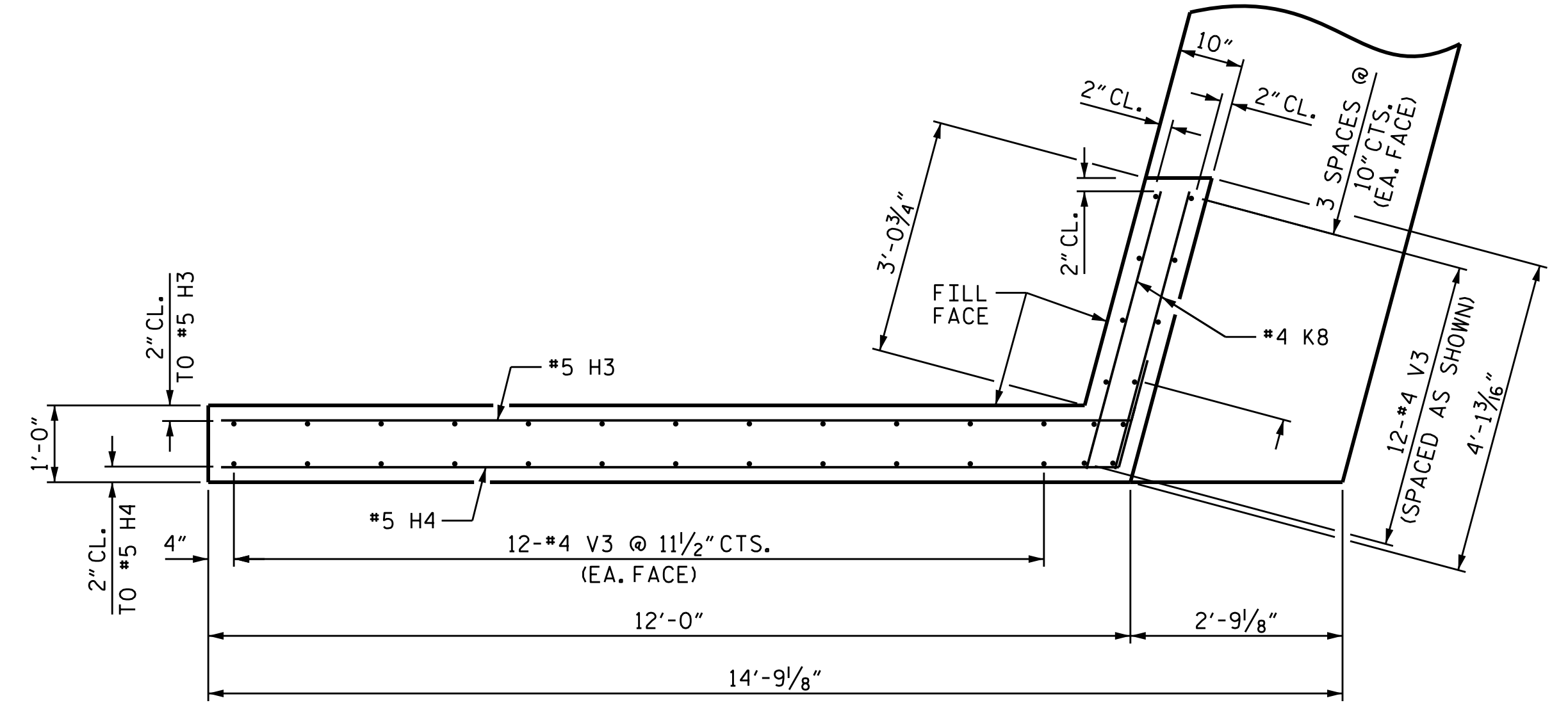
ELEVATION OF WING W1



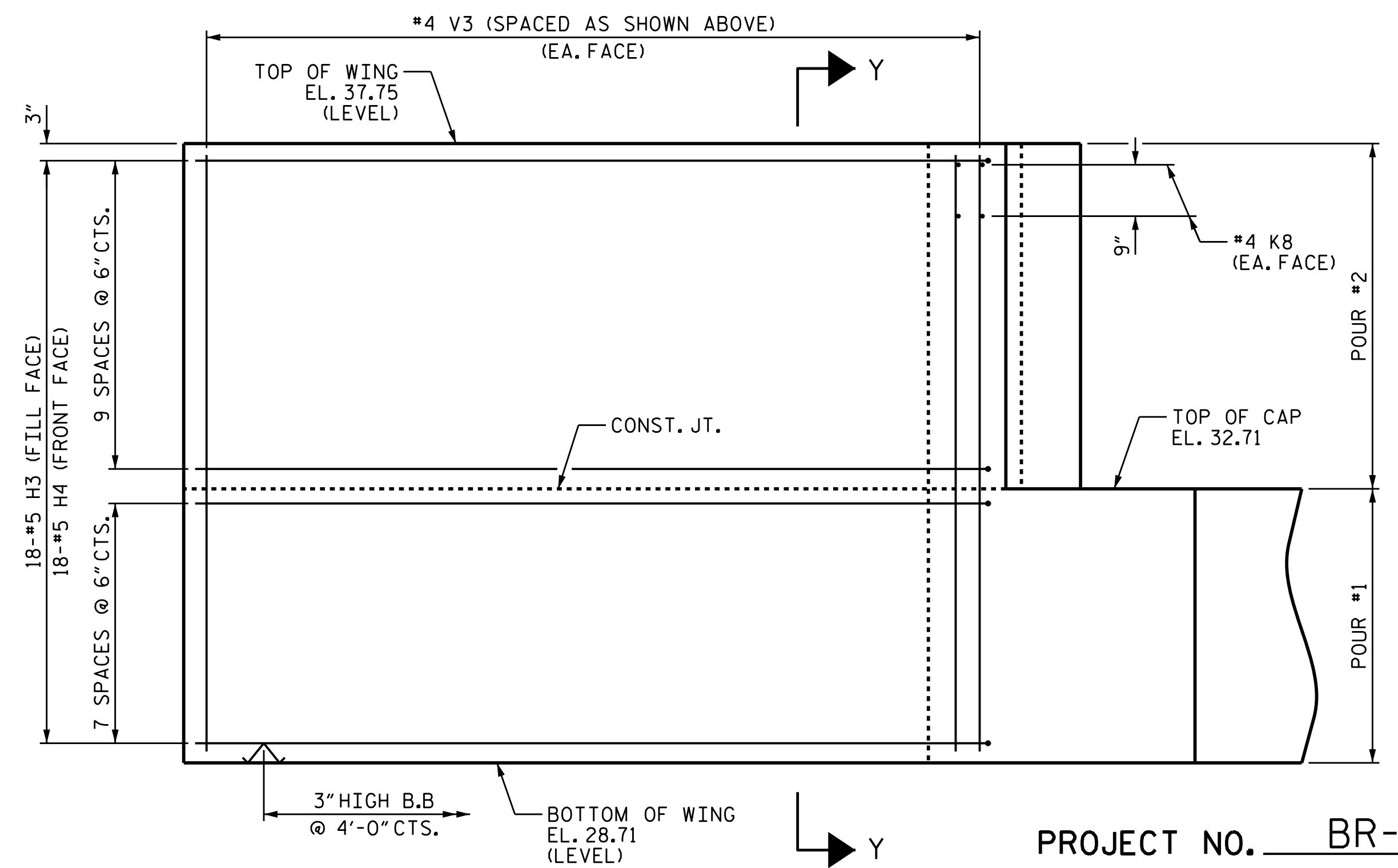
SECTION X-X



SECTION Y-Y



PLAN OF WING W2



ELEVATION OF WING W2

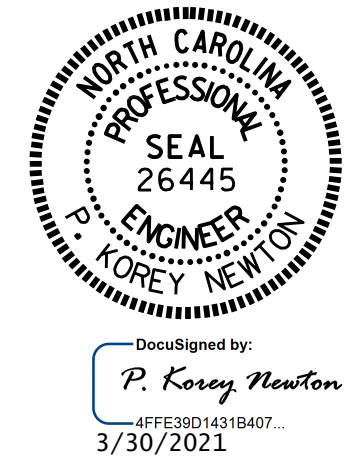
PROJECT NO. BR-0017
 DUPLIN COUNTY
 STATION: 18+27.00 -L-

SHEET 2 OF 3

STATE OF NORTH CAROLINA
 DEPARTMENT OF TRANSPORTATION
 RALEIGH

SUBSTRUCTURE

INTEGRAL
 END BENT 1



DRAWN BY : P. K. NEWTON DATE : 2/24/21
 CHECKED BY : P. D. BRYANT DATE : 3/1/21
 DESIGN ENGINEER OF RECORD: P. D. BRYANT DATE : 3/1/21

DOCUMENT NOT CONSIDERED
 FINAL UNLESS ALL
 SIGNATURES COMPLETED

REVISIONS						SHEET NO.
NO.	BY:	DATE:	NO.	BY:	DATE:	S-18
1			3			TOTAL SHEETS
2			4			28