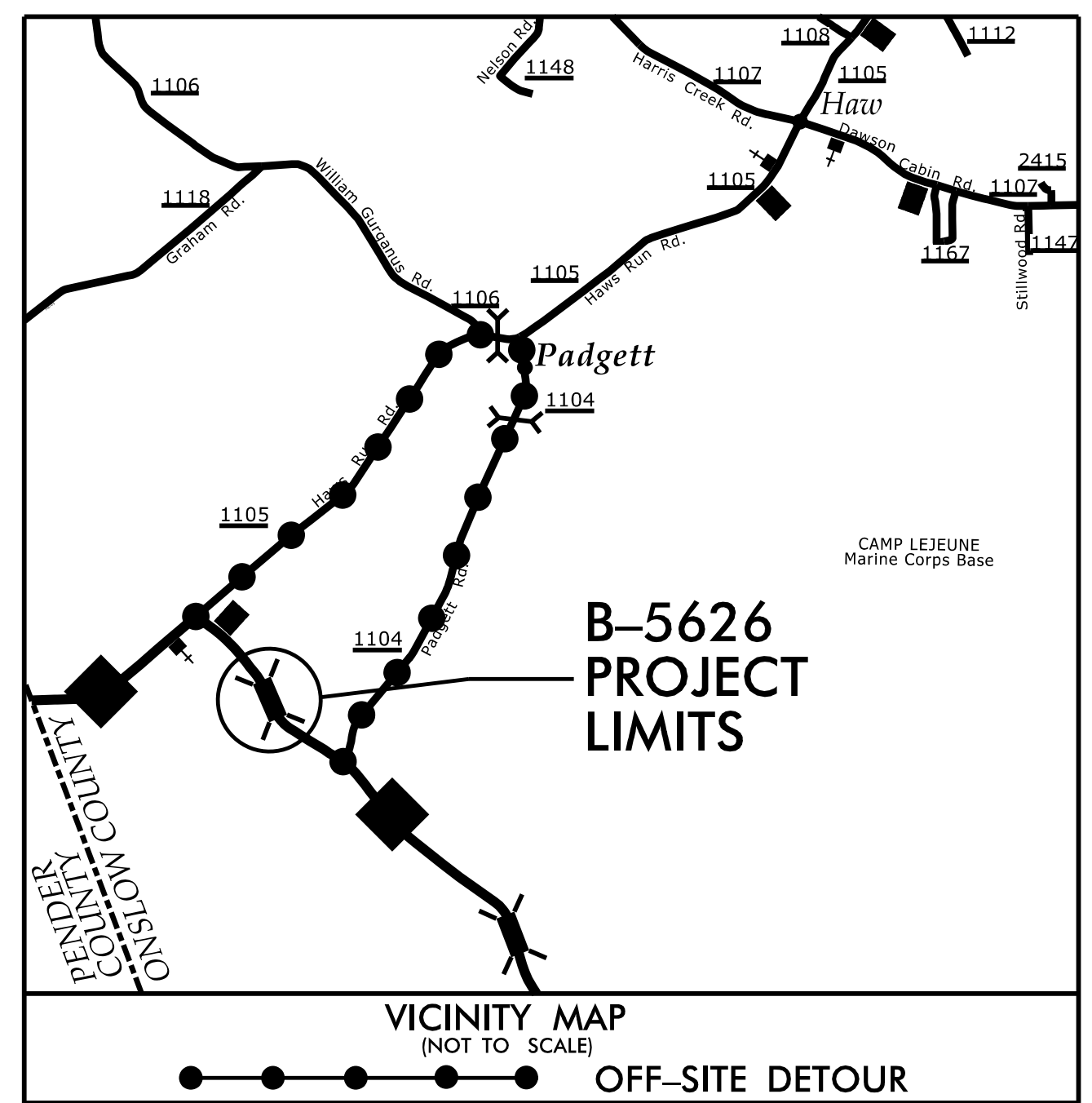


09/08/99

PROJECT: B-5626



STATE OF NORTH CAROLINA
DIVISION OF HIGHWAYS

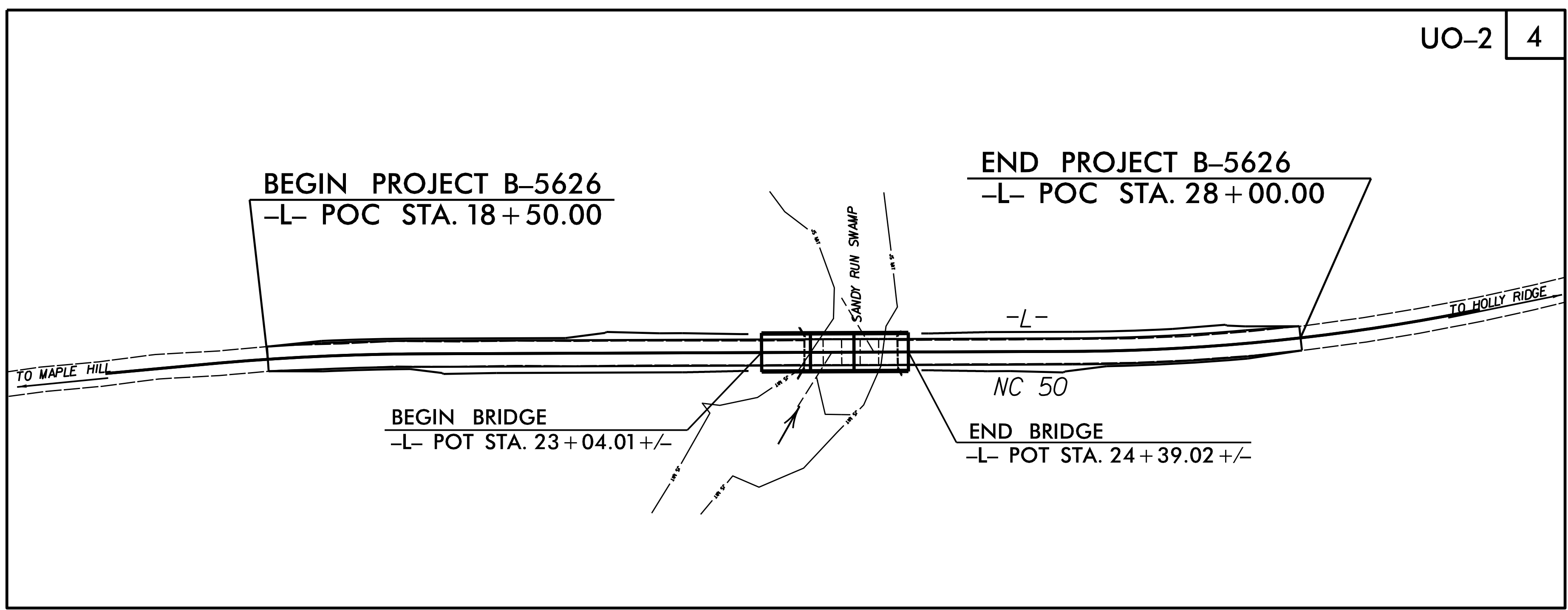
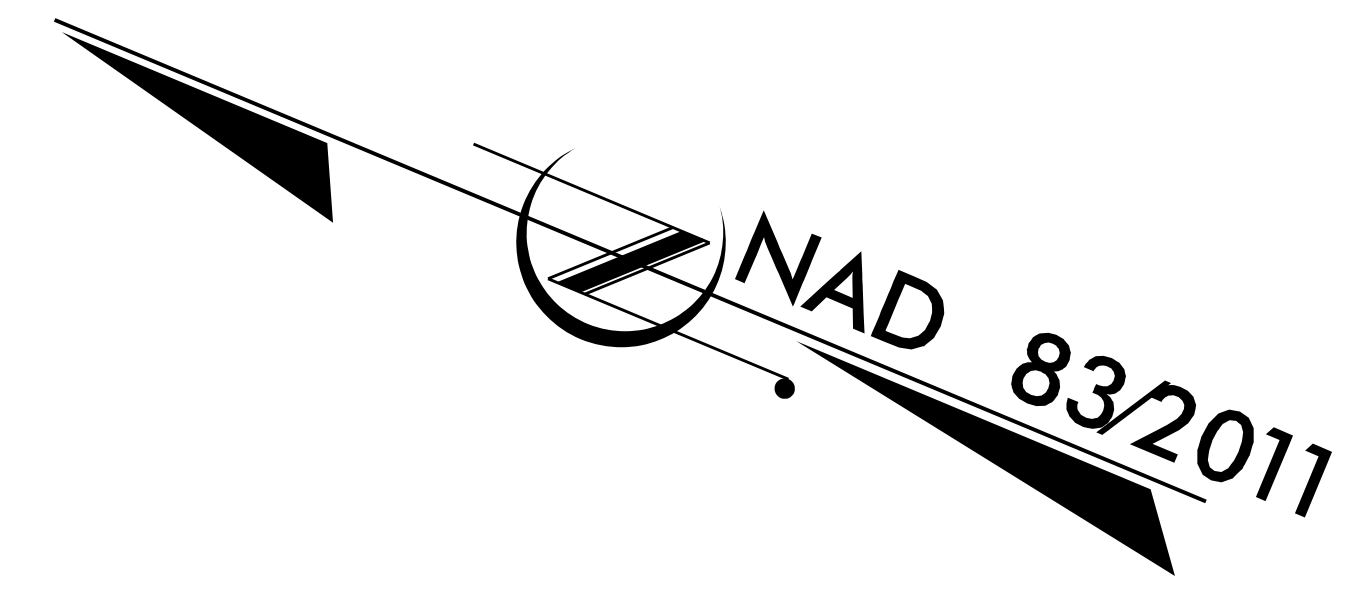
**UTILITIES BY OTHERS PLANS
ON SLOW COUNTY**

LOCATION: BRIDGE NO. 31 OVER SANDY RUN SWAMP
ON NC 50

TYPE OF WORK: RELOCATION OF COMMUNICATION LINES

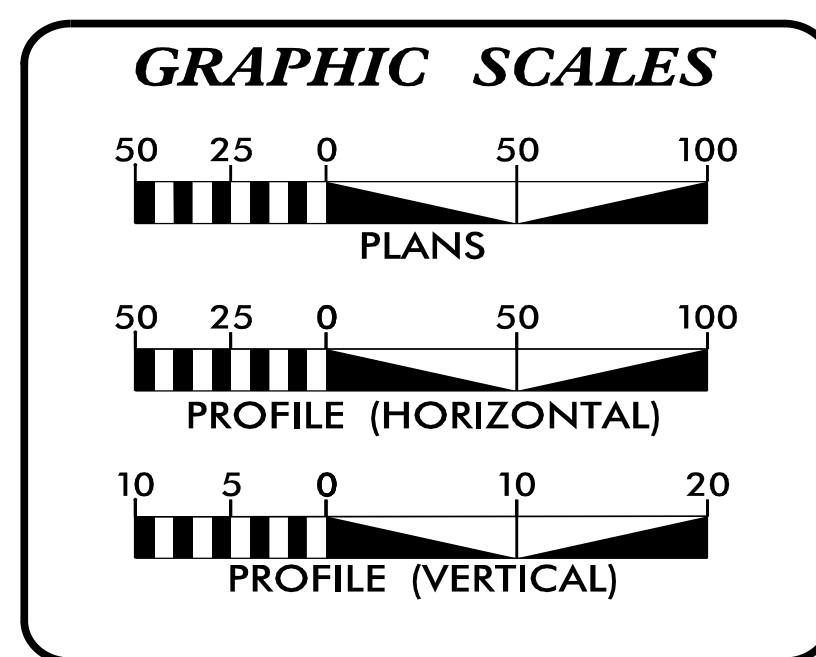
T.I.P. NO.	SHEET NO.
B-5626	UO-1

NOTE:
ALL UTILITY WORK SHOWN ON THIS SHEET WILL BE DONE BY OTHERS.
NO PAYMENT WILL BE MADE TO THE CONTRACTOR FOR UTILITY WORK SHOWN ON THIS SHEET.



UO-2 4

CONTRACT:



SHEET NO.:	DESCRIPTION:
UO-1	TITLE SHEET
UO-2	UBO PLAN SHEET

UTILITY OWNERS WITH CONFLICTS

(A) COMMUNICATIONS - SPECTRUM

PREPARED IN THE OFFICE OF:

SO-DEEP | SAM NC

SO-DEEP | SAM NC, Inc.
A SAM COMPANY
2800-154 Summer Boulevard, Raleigh, NC 27616 Tel 919-878-7466

WEBB WHITE UTILITY PROJECT MANAGER
CHRIS TRAVIS PROJECT UTILITY COORDINATOR

DIVISION OF HIGHWAYS
UTILITIES UNIT
1555 MAIL SERVICES CENTER
RALEIGH NC 27699-1555
PHONE (919) 707-6690
FAX (919) 250-4151

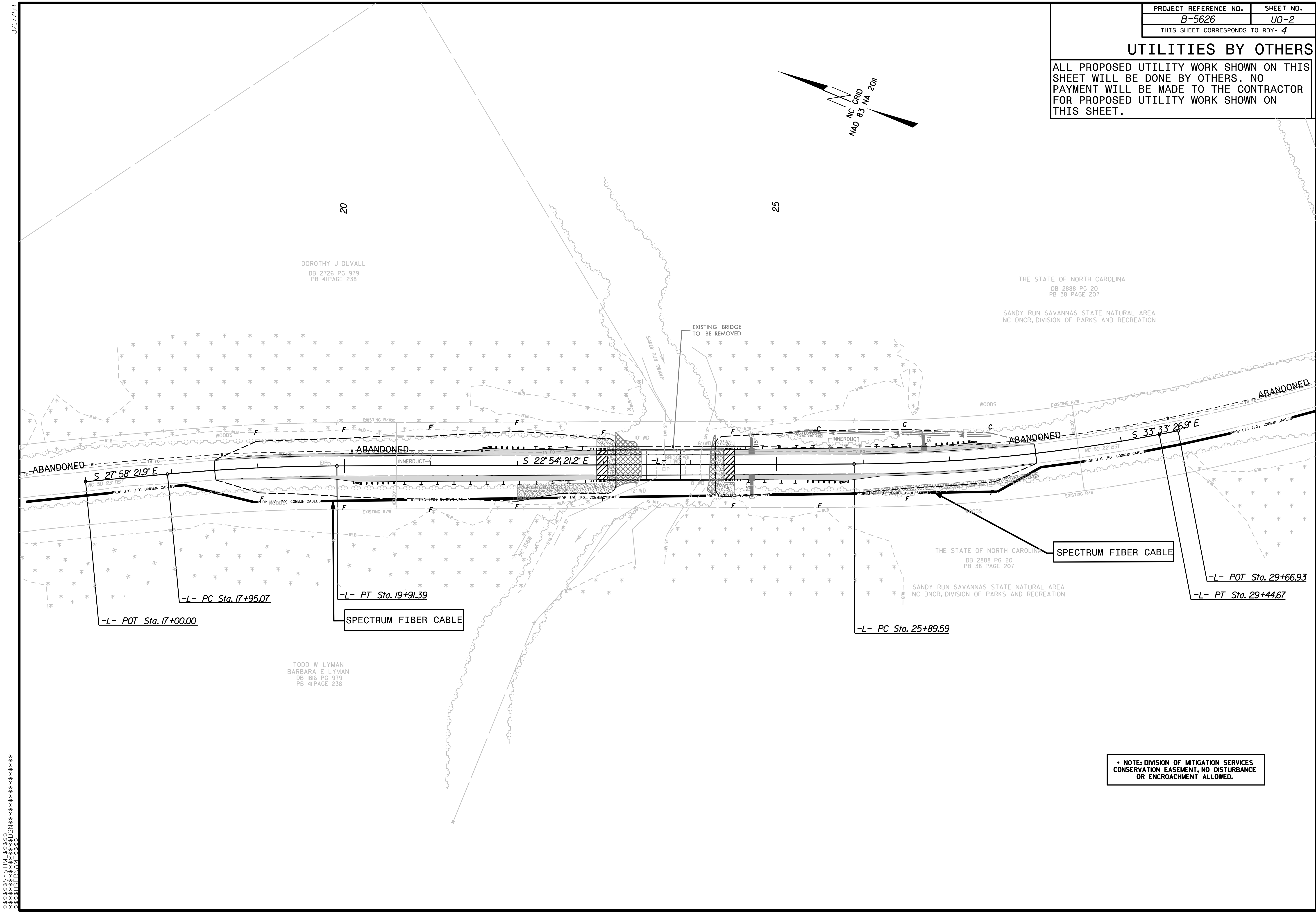
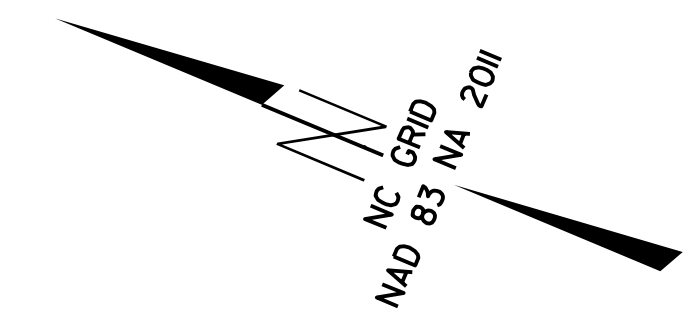
Nabil Hamdan UTILITIES REGIONAL ENGINEER
Kelvin Martin, EI UTILITIES ENGINEER
Kyle Pleasant UTILITIES AREA COORDINATOR
Larry James, Jr UTILITIES COORDINATOR

\$\$\$ SYSTEMS \$\$\$
\$\$\$ DDN \$\$\$
\$\$\$ USERNAME \$\$\$

PROJECT REFERENCE NO.	SHEET NO.
B-5626	U0-2
THIS SHEET CORRESPONDS TO RDY- 4	

UTILITIES BY OTHERS

ALL PROPOSED UTILITY WORK SHOWN ON THIS SHEET WILL BE DONE BY OTHERS. NO PAYMENT WILL BE MADE TO THE CONTRACTOR FOR PROPOSED UTILITY WORK SHOWN ON THIS SHEET.



DOROTHY J DUVALL
DB 2726 PG 979
PB 41 PAGE 238

THE STATE OF NORTH CAROLINA
DB 2888 PG 20
PB 38 PAGE 207
SANDY RUN SAVANNAS STATE NATURAL AREA
NC DNCR, DIVISION OF PARKS AND RECREATION

THE STATE OF NORTH CAROLINA
DB 2888 PG 20
PB 38 PAGE 207
SANDY RUN SAVANNAS STATE NATURAL AREA
NC DNCR, DIVISION OF PARKS AND RECREATION

TODD W LYMAN
BARBARA E LYMAN
DB 1816 PG 979
PB 41 PAGE 238

• NOTE: DIVISION OF MITIGATION SERVICES CONSERVATION EASEMENT, NO DISTURBANCE OR ENCROACHMENT ALLOWED.

8.17/99