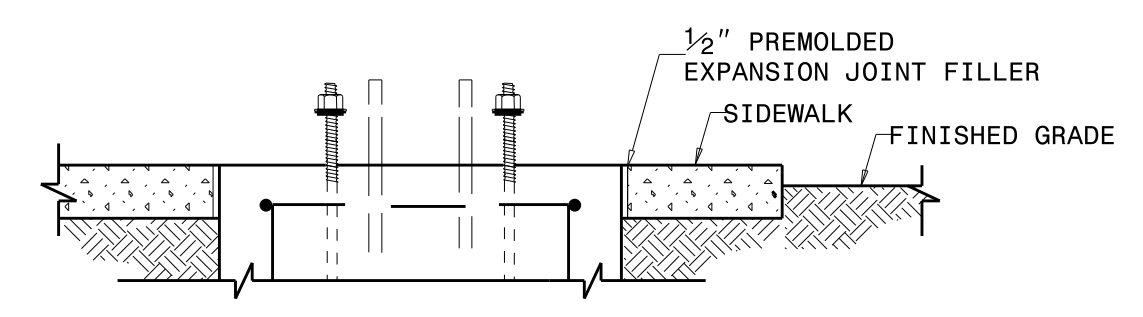


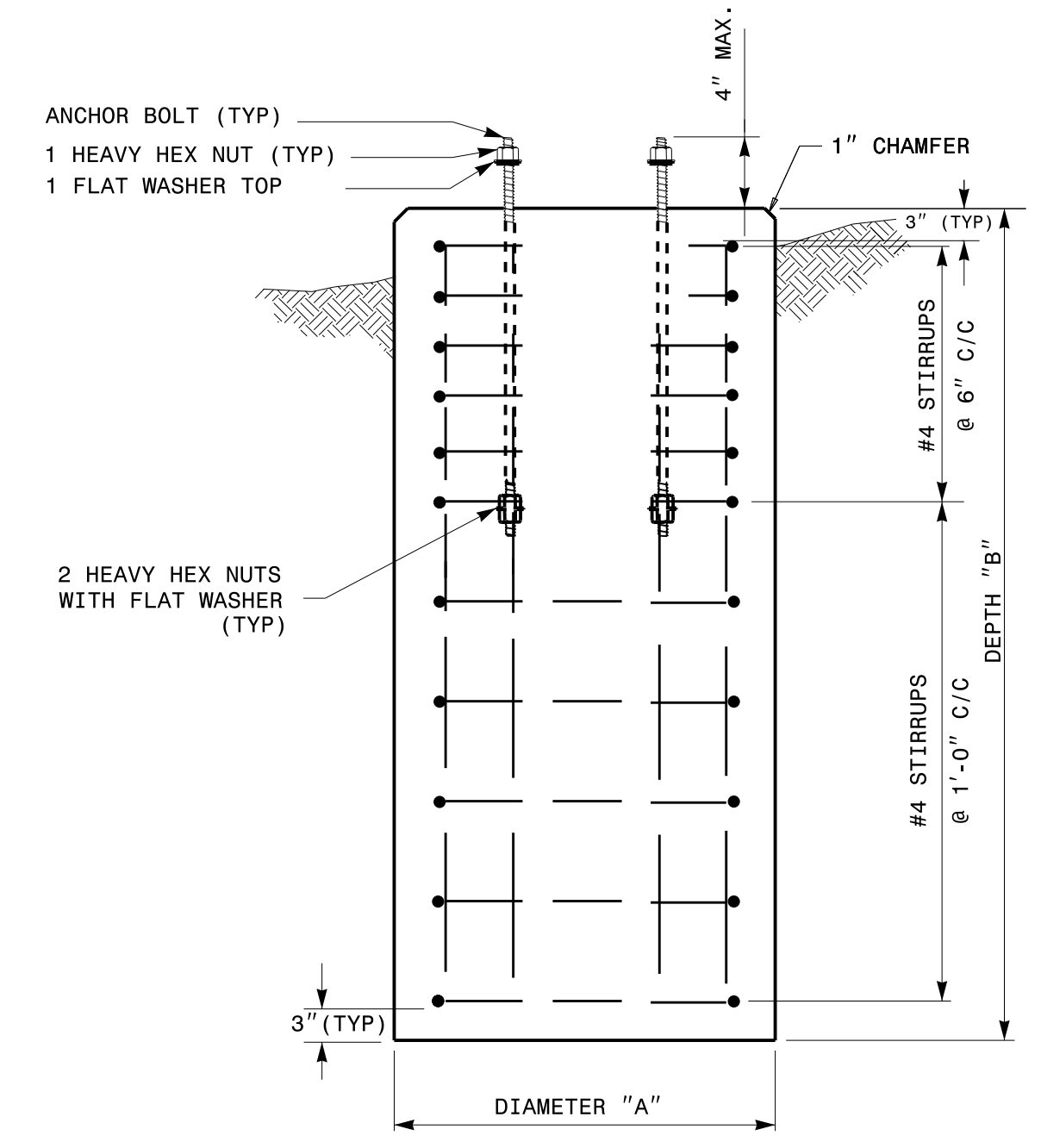
**PEDESTAL FOUNDATION - PLAN VIEW**



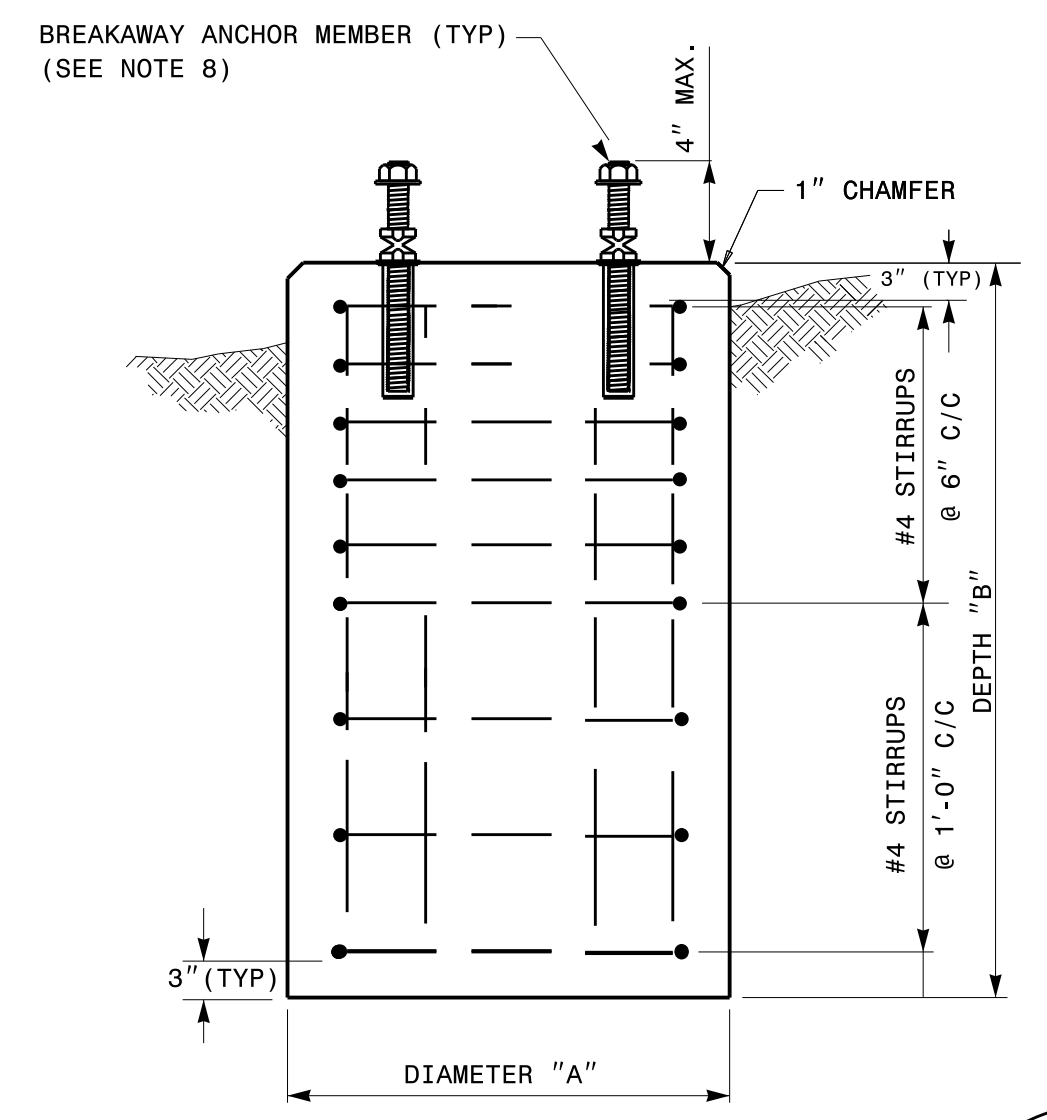
**PEDESTAL FOUNDATION DETAILS FOR SIDEWALK**

**NOTES:**

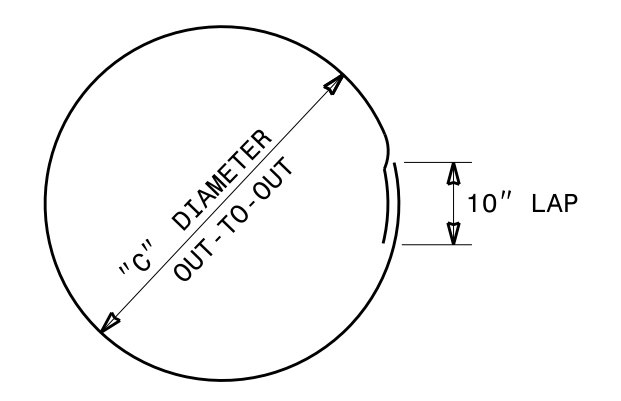
- CAST FOUNDATION AGAINST UNDISTURBED SOIL WHEREVER CONDITIONS PERMIT. IN UNSTABLE SOIL, CAST-IN-PLACE TUBE FORMS ARE ALLOWED WITH APPROVAL.
- COMPLY WITH APPLICABLE PROVISIONS OF SECTION 825 FOR CONCRETE CONSTRUCTION.
- USE CLASS "A" CONCRETE THAT MEETS THE REQUIREMENTS OF SECTION 1000 WITH A COMPRESSION STRENGTH AT 28 DAYS OF  $F'c = 3000$  PSI (MIN.).
- USE ASTM GRADE 60 DEFORMED BARS FOR ALL REINFORCING STEEL.
- GRADE IS ASSUMED TO BE (8H:1V) OR FLATTER. FOUNDATION SIZE AND DEPTHS ARE BASED ON THE FOLLOWING SOIL DESIGN PARAMETERS:
  - SANDY TYPE SOIL
  - NO GROUND WATER WITHIN 5'-0" OF SURFACE ELEVATION
  - WIND SPEED NOT TO EXCEED 140 MPH
 IF ACTUAL CONDITIONS VARY SUBSTANTIALLY FROM THOSE ASSUMED, THE FOUNDATION DEPTH MAY BE ADJUSTED. IN THIS CASE, CONTACT THE ENGINEER.
- MAINTAIN AT LEAST 3" COVER ON ALL REINFORCEMENT.
- ORIENT CONDUIT AS REQUIRED BY THE DESIGN OR AS DICTATED BY FIELD CONDITIONS.
- USE ADHESIVE ANCHOR FOR THREADED COUPLING INSERT. FOR TYPE I MINIMUM DEPTH NECESSARY IS 0'-4 1/2" AND FOR TYPE II MINIMUM DEPTH NECESSARY IS 0'-6 5/8". FOLLOW MANUFACTURER'S INSTALLATION INSTRUCTIONS.



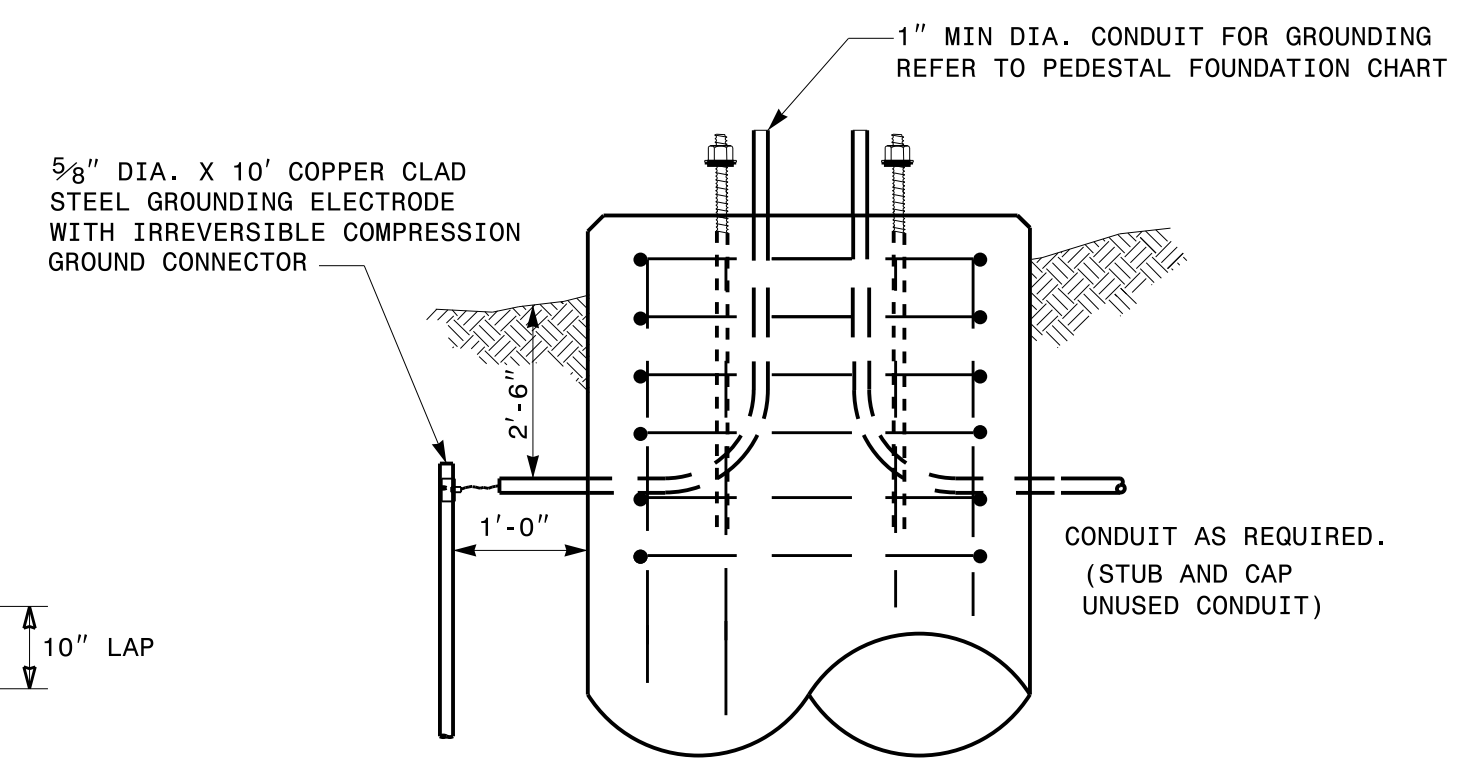
**TYPES I, II & III SECTION A-A**



**TYPES I & II ONLY SECTION A-A**



**CLOSED HOOPS**



**GROUNDING & CONDUIT DETAIL**

| PEDESTAL FOUNDATION TYPE AND SIZE |                       |                 |              |                    |                    |              |                                   |
|-----------------------------------|-----------------------|-----------------|--------------|--------------------|--------------------|--------------|-----------------------------------|
| TYPE                              | PEDESTAL DESCRIPTION  | SIZE            |              |                    | ANCHOR BOLT        |              | INSTALL GROUNDING SYSTEM (YES/NO) |
|                                   |                       | DIAMETER "A" FT | DEPTH "B" FT | CONCRETE VOLUME CY | DIAMETER (MIN.) IN | LENGTH FT-IN |                                   |
| I                                 | PEDESTRIAN PUSHBUTTON | 2'-0"           | 3'-6"        | .41                | 1/2                | 1'-6"        | NO                                |
| II                                | NORMAL-DUTY           | 2'-0"           | 5'-0"        | .58                | 3/4                | 2'-0"        | YES                               |
| III                               | HEAVY-DUTY            | 2'-6"           | 7'-0"        | 1.27               | 1                  | 4'-0"        | YES                               |

| REINFORCING STEEL SCHEDULE |        |     |        |            |         |                        |                        |       |        |                 |              |            |                        |
|----------------------------|--------|-----|--------|------------|---------|------------------------|------------------------|-------|--------|-----------------|--------------|------------|------------------------|
| TYPE                       | V-BAR  |     |        |            | STIRRUP |                        |                        |       |        |                 |              |            |                        |
|                            | SIZE # | QTY | LENGTH | WEIGHT LBS | SIZE #  | QUANTITY               |                        |       | LENGTH | DIAMETER "C" FT | OVERLAP MIN. | WEIGHT LBS | TOTAL STEEL WEIGHT LBS |
|                            |        |     |        |            |         | VERTICAL ON 6" CENTERS | SPACING ON 12" CENTERS | TOTAL |        |                 |              |            |                        |
| I                          | 8      | 6   | 3'-0"  | 56         | 4       | 0                      | 4                      | 4     | 5'-7"  | 1'-6"           | 0'-10"       | 15         | 71                     |
| II                         | 8      | 6   | 4'-6"  | 86         | 4       | 5                      | 3                      | 8     | 5'-7"  | 1'-6"           | 0'-10"       | 30         | 116                    |
| III                        | 8      | 6   | 6'-6"  | 122        | 4       | 7                      | 4                      | 11    | 7'-2"  | 2'-0"           | 0'-10"       | 53         | 175                    |

STATE OF NORTH CAROLINA  
 DEPT. OF TRANSPORTATION  
 DIVISION OF HIGHWAYS  
 RALEIGH, N.C.

ENGLISH STANDARD DRAWING FOR  
**PEDESTALS**  
 FOUNDATIONS

SHEET 1 OF 1  
**1743D01**

11-10-2017 08:03  
 U:\2018 S14 Drawings\Plate Sheets\2018\_Plate Sheet - .dgn  
 r:\rough

DOCUMENT NOT CONSIDERED  
 FINAL UNLESS ALL  
 SIGNATURES COMPLETED

See Plate for Title

