

STATE OF NORTH CAROLINA DIVISION OF HIGHWAYS

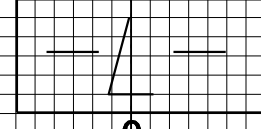
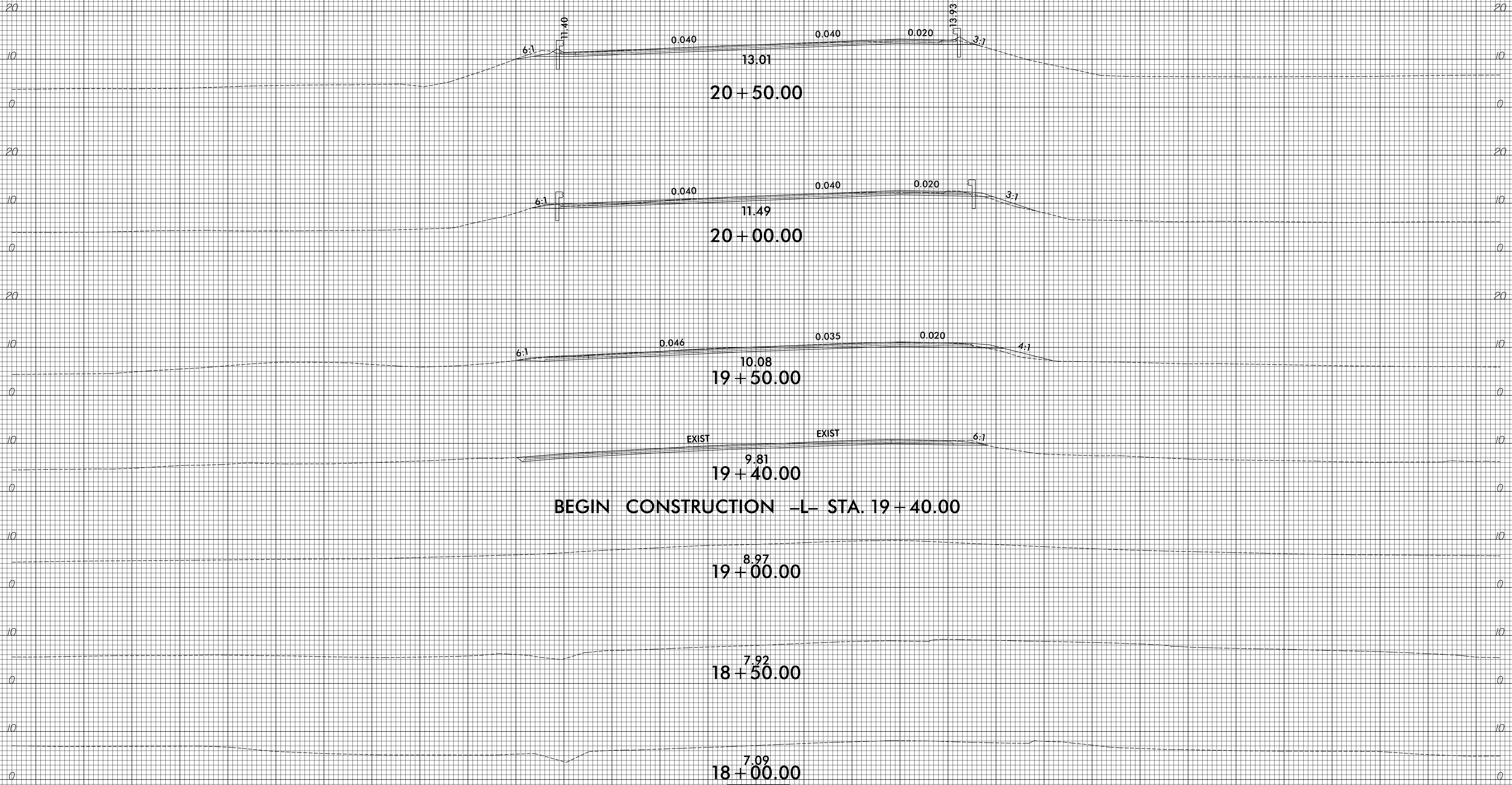
NOTE: EMBANKMENT COLUMN DOES NOT INCLUDE BACKFILL FOR UNDERCUT

CROSS-SECTION SUMMARY

Station	Uncl. Exc.	Embt
L	(cu. yd.)	(cu. yd.)
19+40.00	0	0
19+50.00	32	1
20+00.00	138	11
20+50.00	129	4
21+00.00	143	5
21+50.00	150	17
22+00.00	126	70
22+50.00	79	182
23+00.00	28	315
23+50.00	1	584
24+00.00	0	865
24+50.00	0	1003
25+00.00	0	1147
25+50.00	0	1288
26+00.00	0	1442
26+50.00	0	1647
27+00.00	0	1920
27+50.00	0	1600
27+66.25	0	363
Station	Uncl. Exc.	Embt
L	(cu. yd.)	(cu. yd.)
30+12.00	0	0
30+50.00	0	767
31+00.00	0	1378
31+50.00	0	1661
32+00.00	0	1515
32+50.00	0	1397
33+00.00	0	1274
33+50.00	0	1093
34+00.00	0	886
34+50.00	0	689
35+00.00	0	464
35+50.00	0	222
36+00.00	0	65
36+50.00	7	17
37+00.00	25	2
37+50.00	48	1
38+00.00	68	0
38+50.00	77	0
39+00.00	78	1
39+50.00	86	1
40+00.00	108	0
40+10.00	23	0

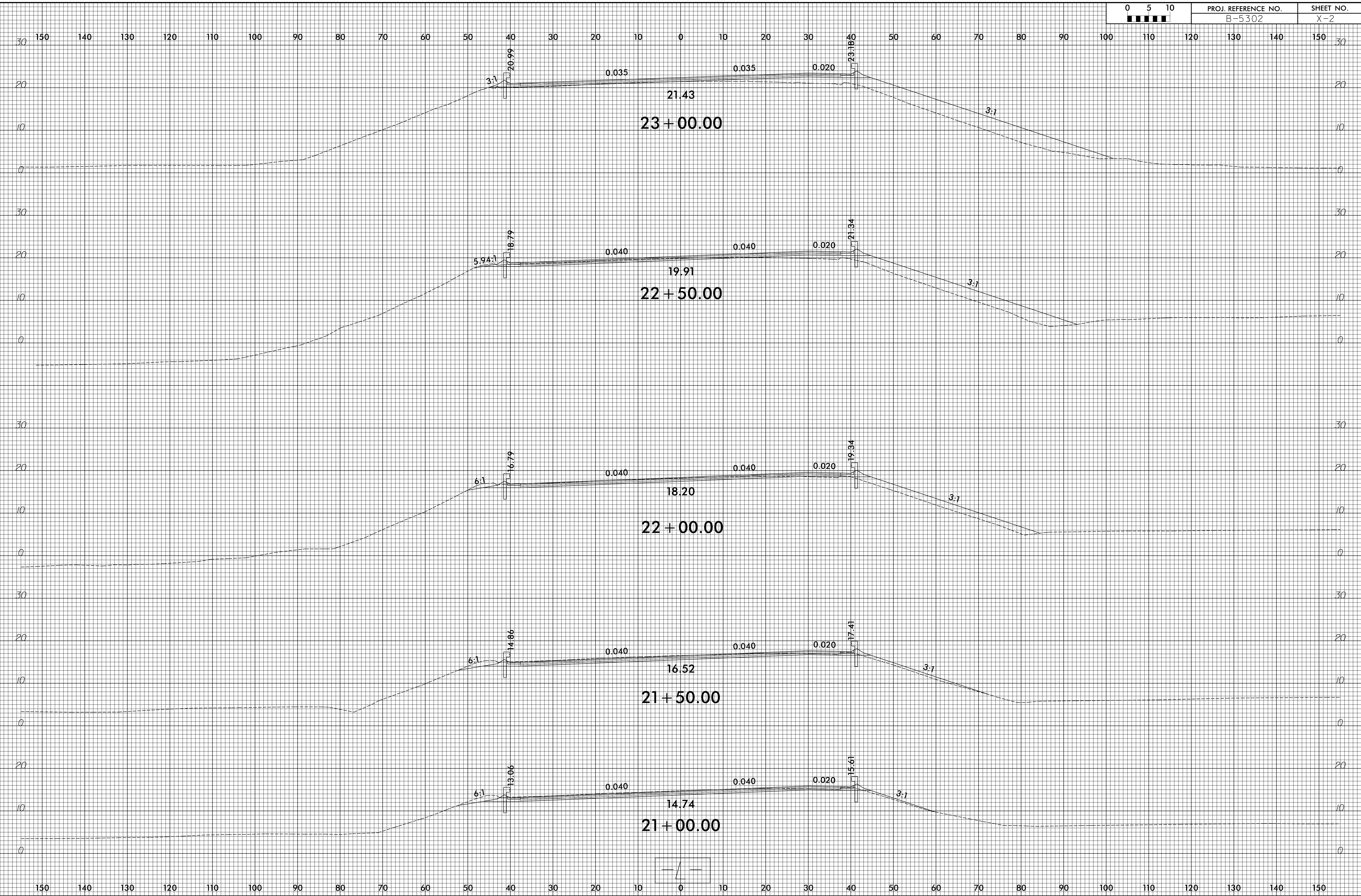
— Approximate quantities only. Unclassified excavation, fine grading, clearing and grubbing, breaking of existing pavement and removal of existing pavement will be paid for at the lump sum price for "Grading".

150 140 130 120 110 100 90 80 70 60 50 40 30 20 10 0 10 20 30 40 50 60 70 80 90 100 110 120 130 140 150



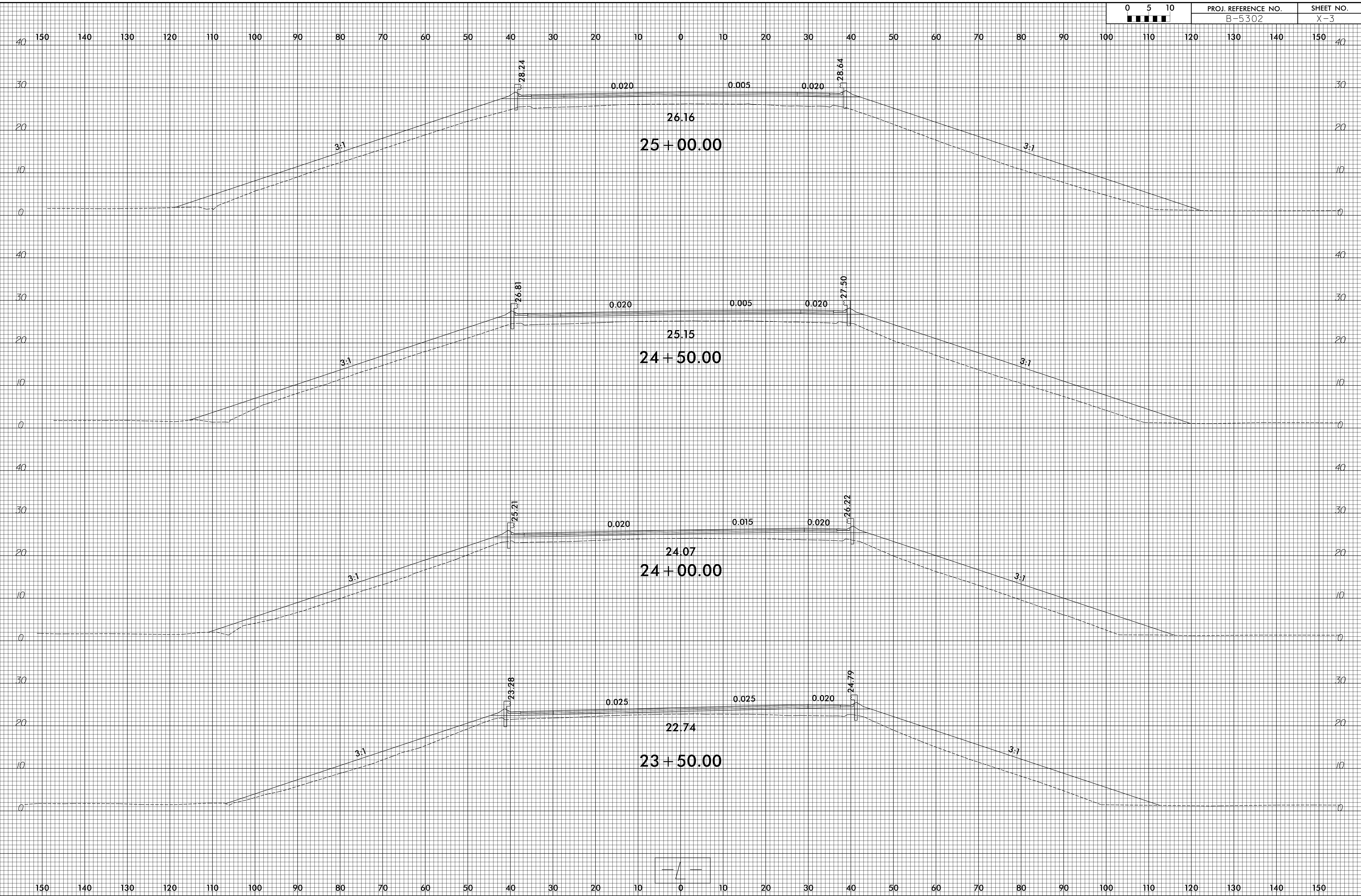
150 140 130 120 110 100 90 80 70 60 50 40 30 20 10 0 10 20 30 40 50 60 70 80 90 100 110 120 130 140 150

8/23/99

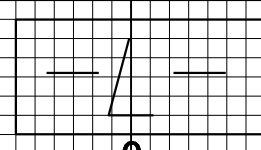


SYTIME 8/23/99 11:05:54 AM TOS

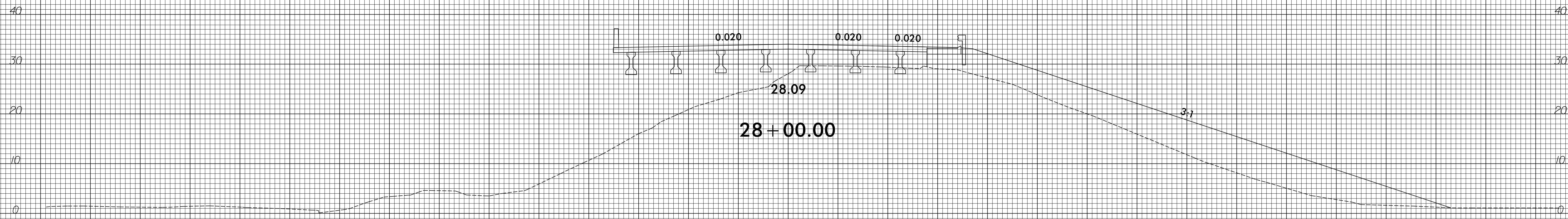
8/23/99



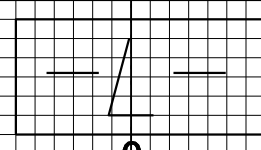
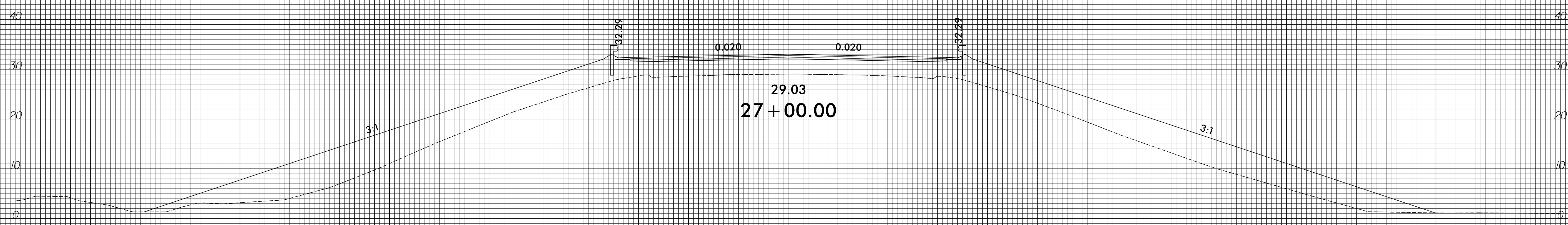
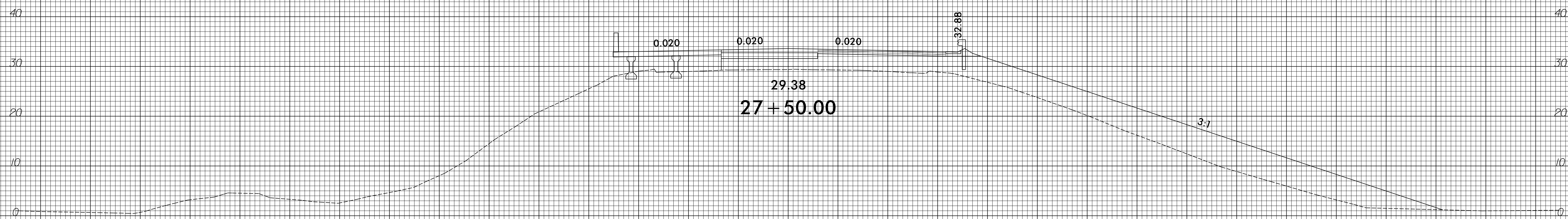
8/23/99



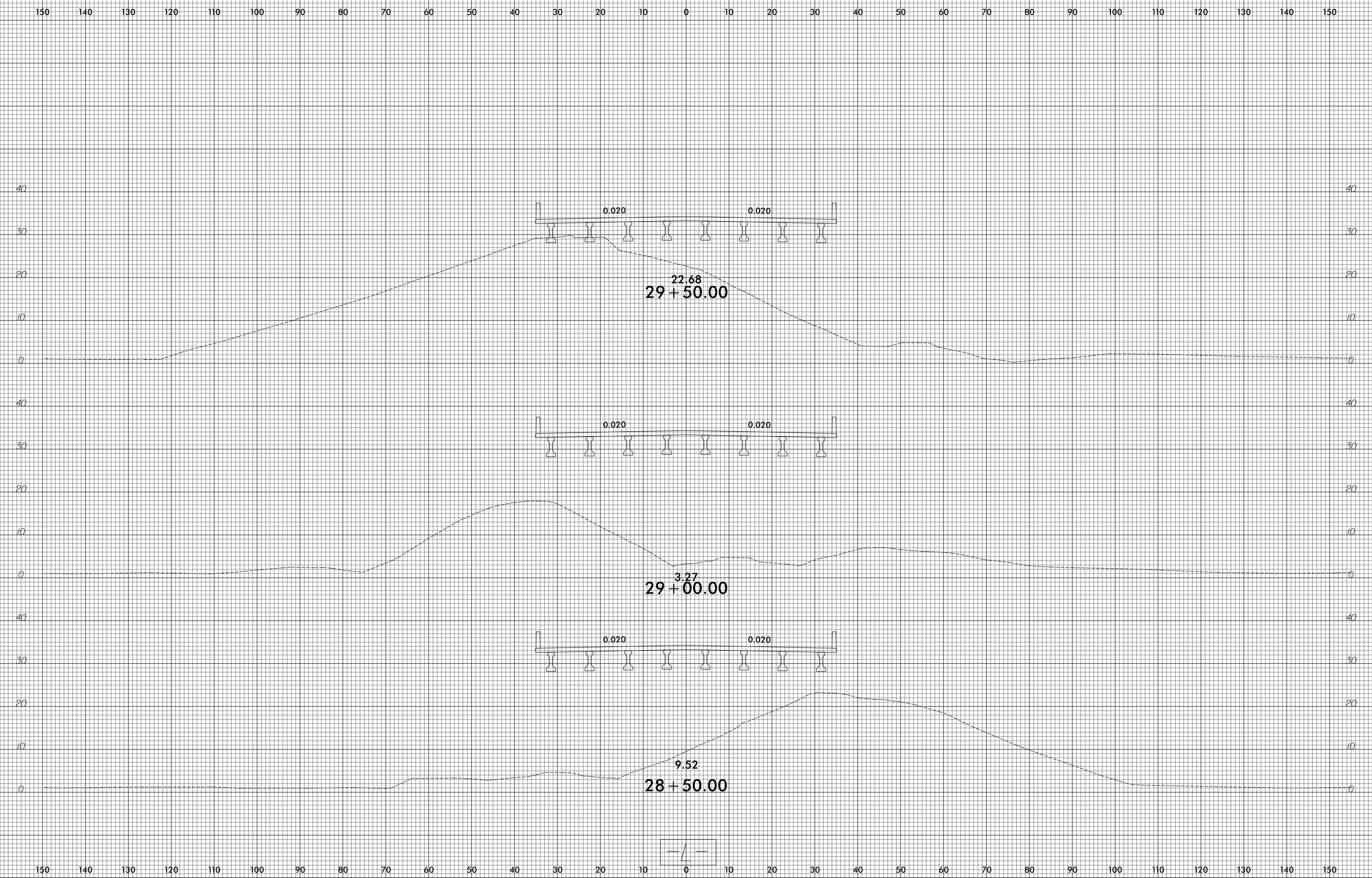
150 140 130 120 110 100 90 80 70 60 50 40 30 20 10 0 10 20 30 40 50 60 70 80 90 100 110 120 130 140 150



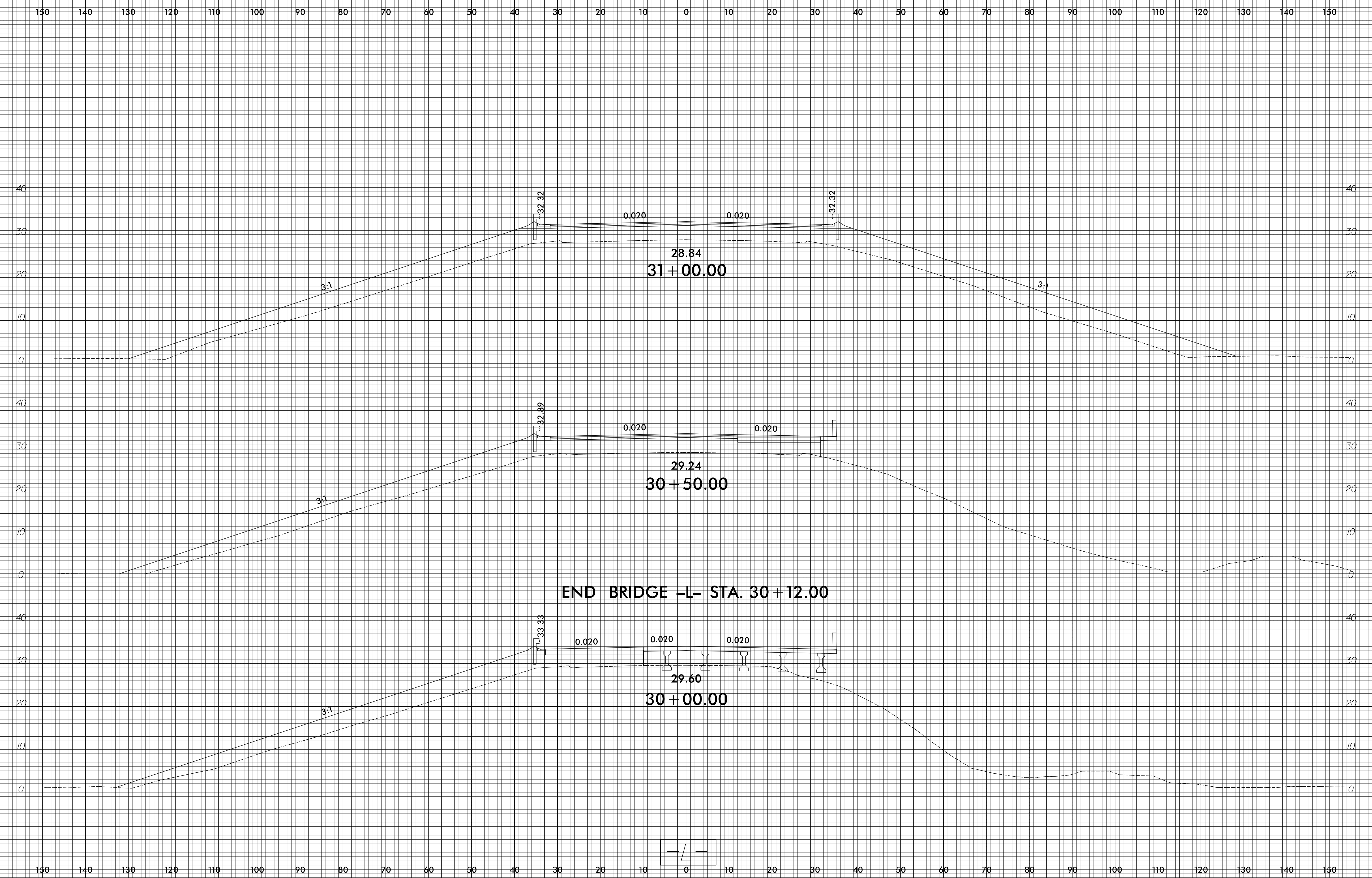
BEGIN BRIDGE -L- STA. 27 + 66.25



8/23/99
S
C
O
U
N
T
Y
O
F
M
O
N
T
A
N
A
S
C
O
U
N
T
Y
O
F
M
O
N
T
A
N
A
S
C
O
U
N
T
Y
O
F
M
O
N
T
A
N
A
S

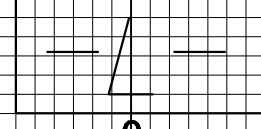
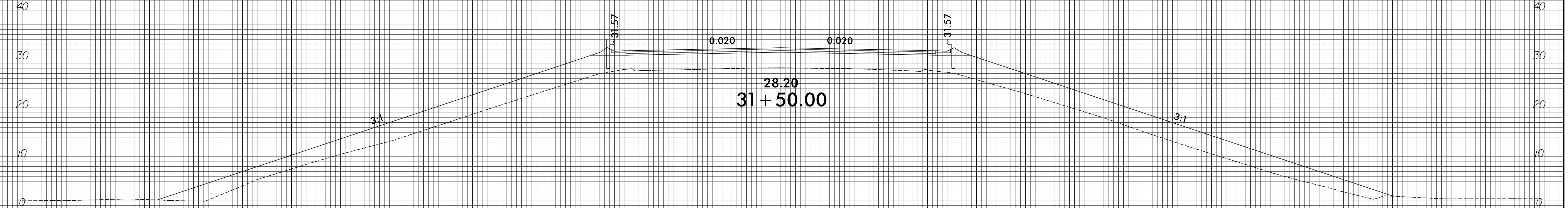
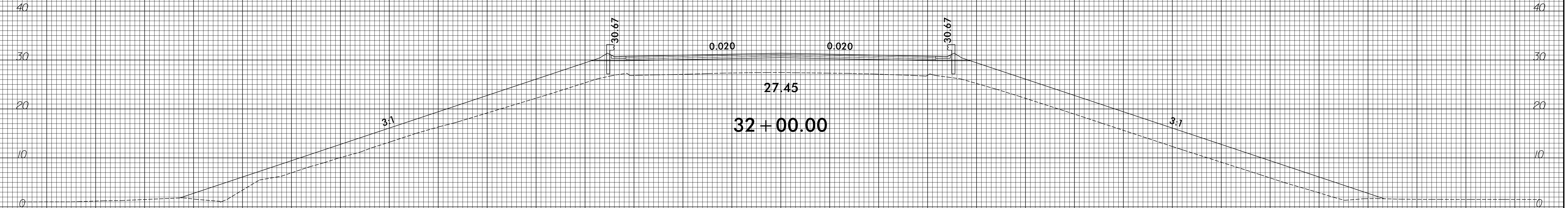
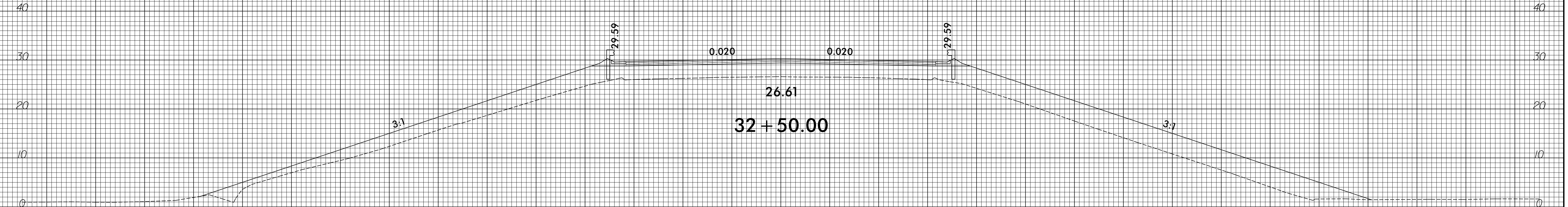


8/23/99



8/23/99

150 140 130 120 110 100 90 80 70 60 50 40 30 20 10 0 10 20 30 40 50 60 70 80 90 100 110 120 130 140 150

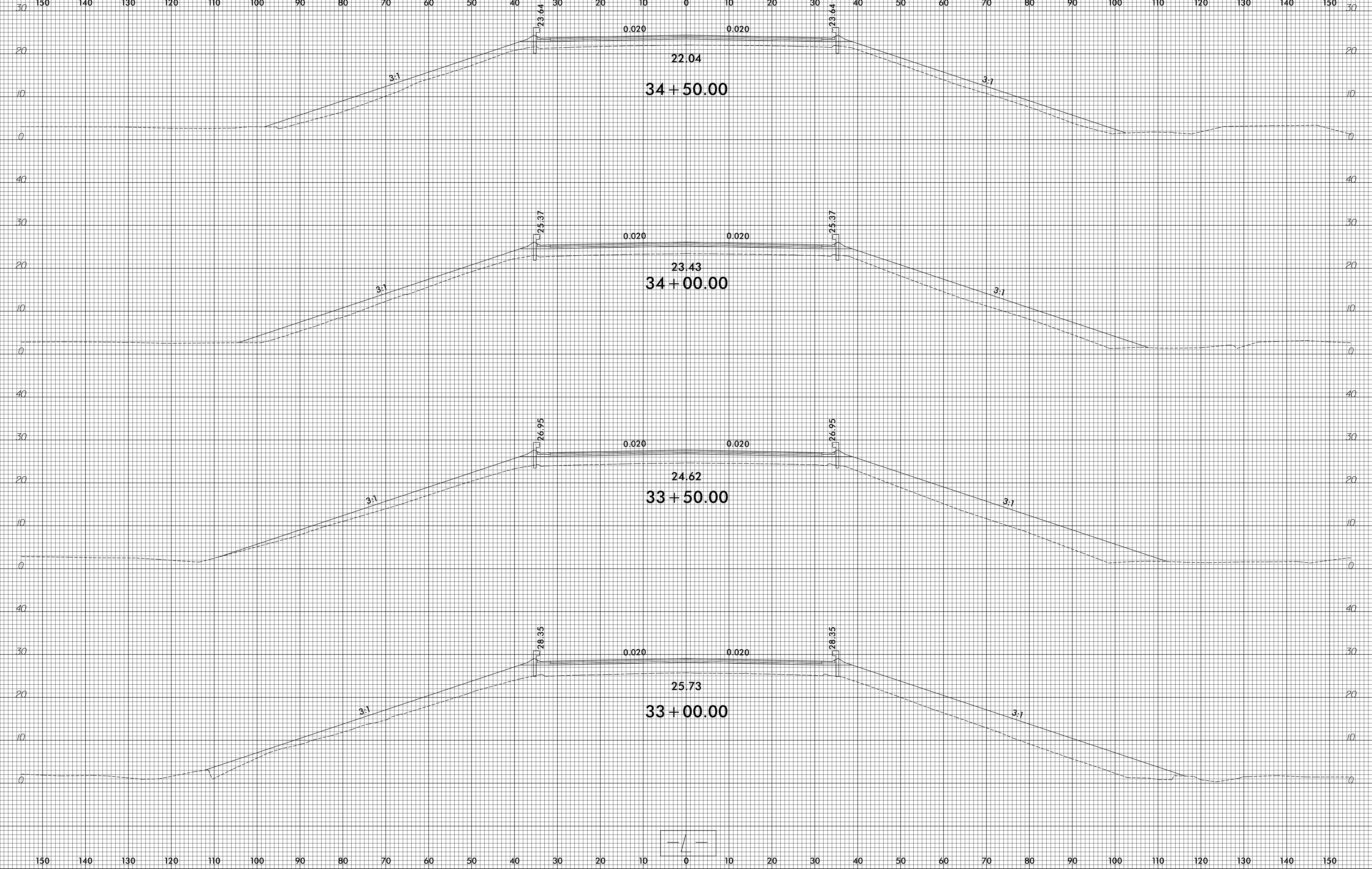


150 140 130 120 110 100 90 80 70 60 50 40 30 20 10 0 10 20 30 40 50 60 70 80 90 100 110 120 130 140 150

8/23/99

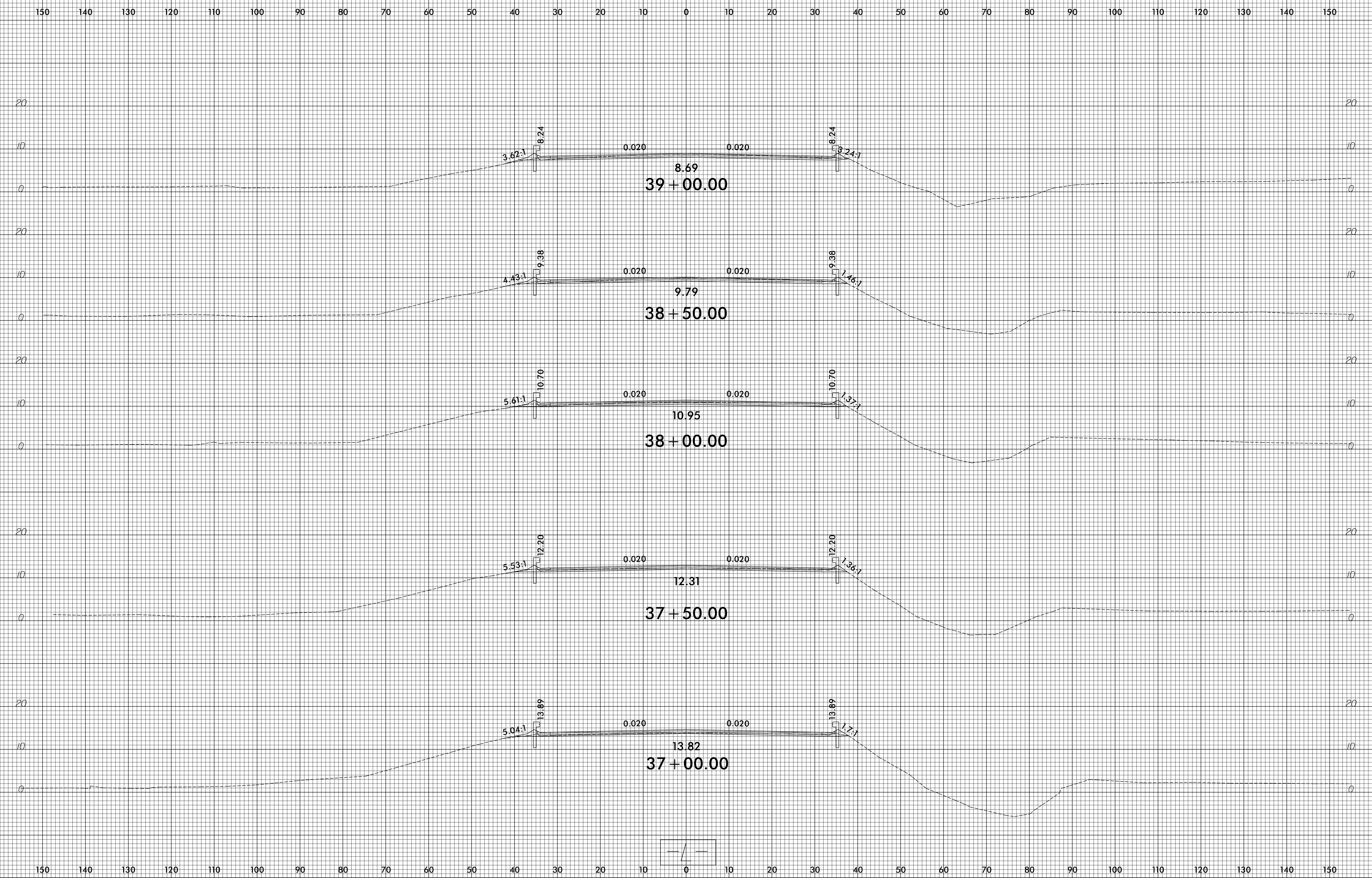
0 5 10
[Scale bar]

PROJ. REFERENCE NO.	SHEET NO.
B-5302	X-9



SYTIME 8896655
990903 08 09 11 03 05 06 AM TOS

8/23/99



SYTIME 8/23/99 11:05:57 AM TOS

