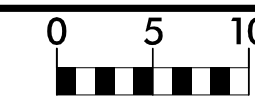


6/23/16

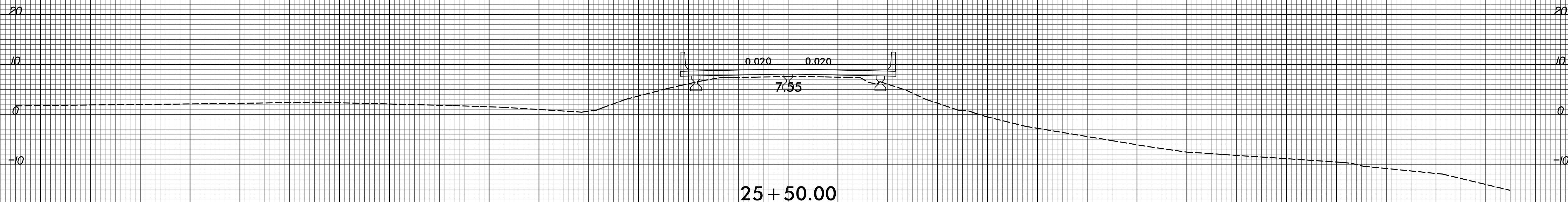


PROJ. REFERENCE NO.  
B-4414

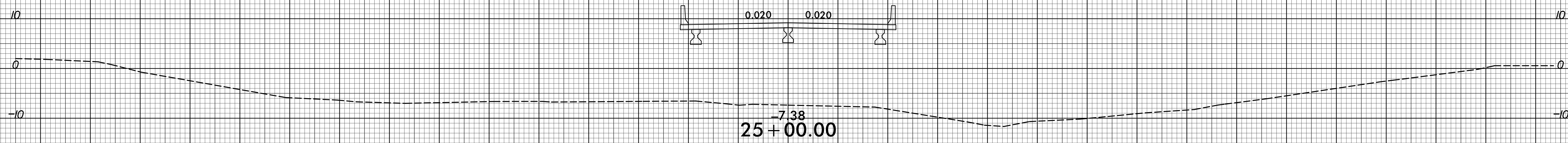
SHEET NO.  
X-3

150 140 130 120 110 100 90 80 70 60 50 40 30 20 10 0 10 20 30 40 50 60 70 80 90 100 110 120 130 140 150

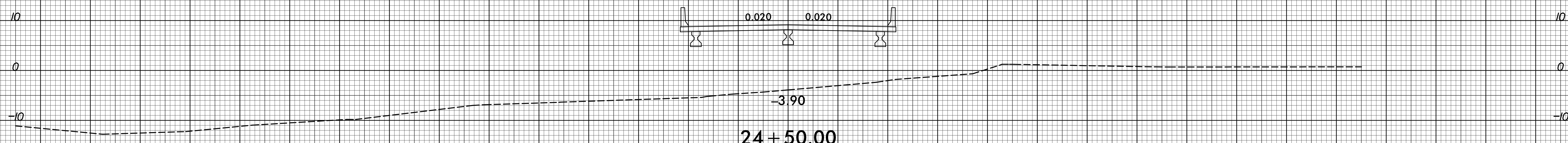
END BRIDGE -L- STA 25+57.42



25+50.00

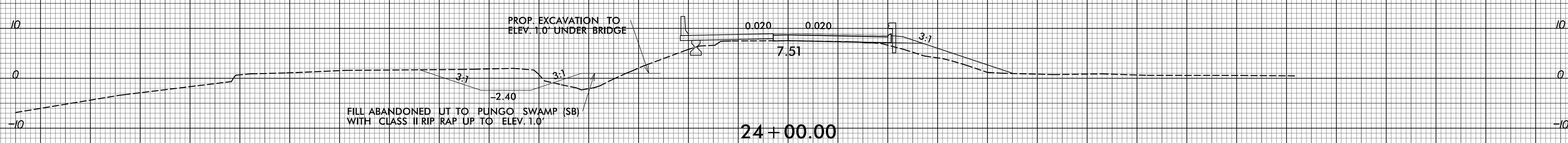


25+00.00



24+50.00

BEGIN BRIDGE -L- STA 24+00.38

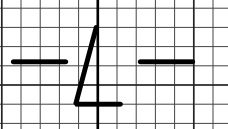
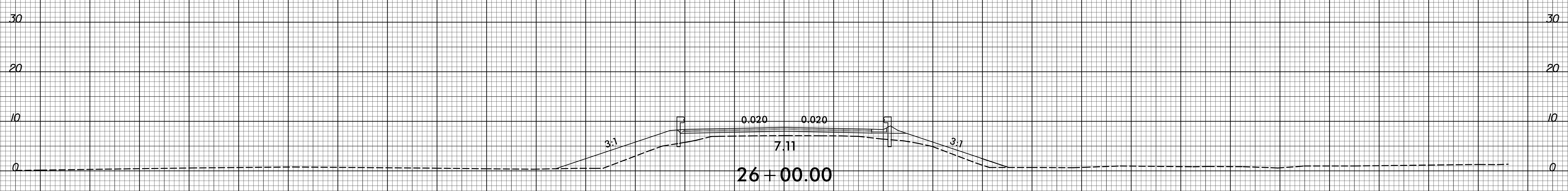
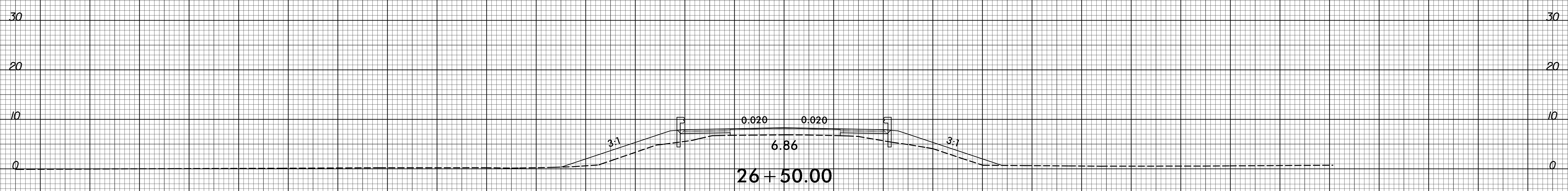
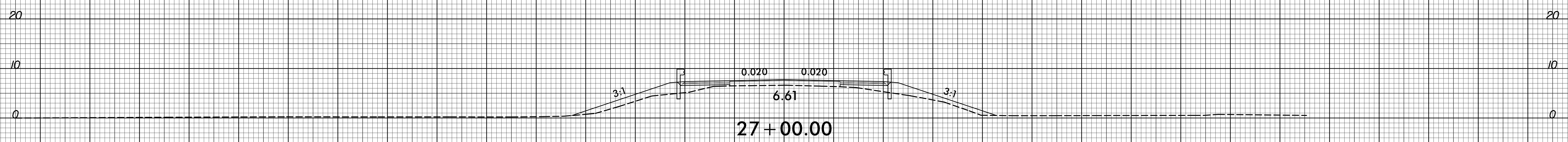
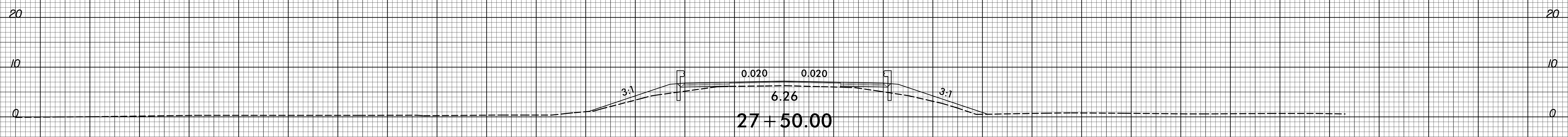
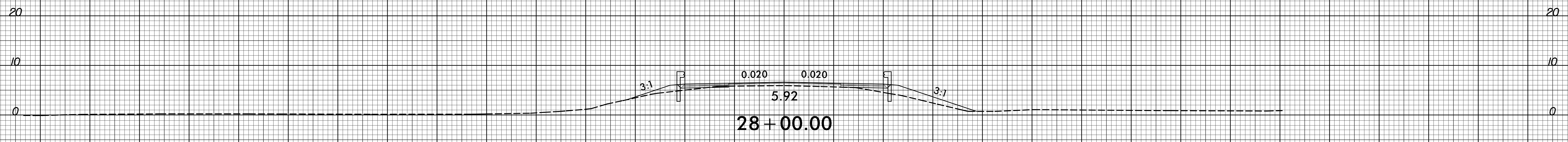


24+00.00

150 140 130 120 110 100 90 80 70 60 50 40 30 20 10 0 10 20 30 40 50 60 70 80 90 100 110 120 130 140 150

1/3/2020  
N:\ndp\B-4414\roadway\Corsidor-Modeling\B4414\_rdy\_xp.dgn  
User:rlower

150 140 130 120 110 100 90 80 70 60 50 40 30 20 10 0 10 20 30 40 50 60 70 80 90 100 110 120 130 140 150



150 140 130 120 110 100 90 80 70 60 50 40 30 20 10 0 10 20 30 40 50 60 70 80 90 100 110 120 130 140 150

