

18+00 18+50 19+00 19+50 20+00 20+50 21+00 21+50

(+1.6774% (-2.2776%
PI = 19+60.00
EL = 776.40'
VC = 340'
K = 86

(-0.3007% (-1.4448%
PI Sta 11+60.00
EL = 751.92'
VC = 290'
K = 253

(-0.3991% (-1.4983%
PI Sta 12+10.00
EL = 751.47'
VC = 280'
K = 255

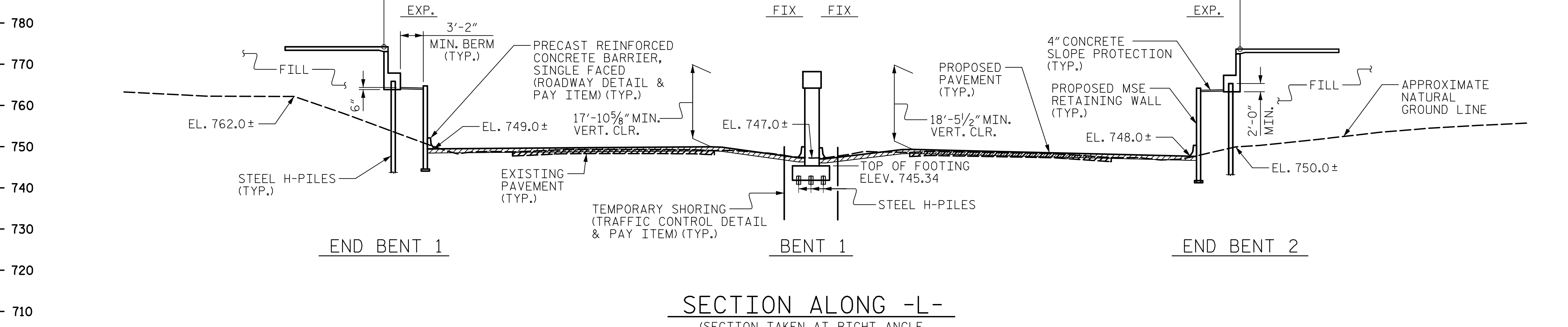
FILL FACE @ END BENT 1
STA. 18+52.99 -L-
GRADE PT. EL. 774.37

FILL FACE @ END BENT 2
STA. 20+60.99 -L-
GRADE PT. EL. 773.82

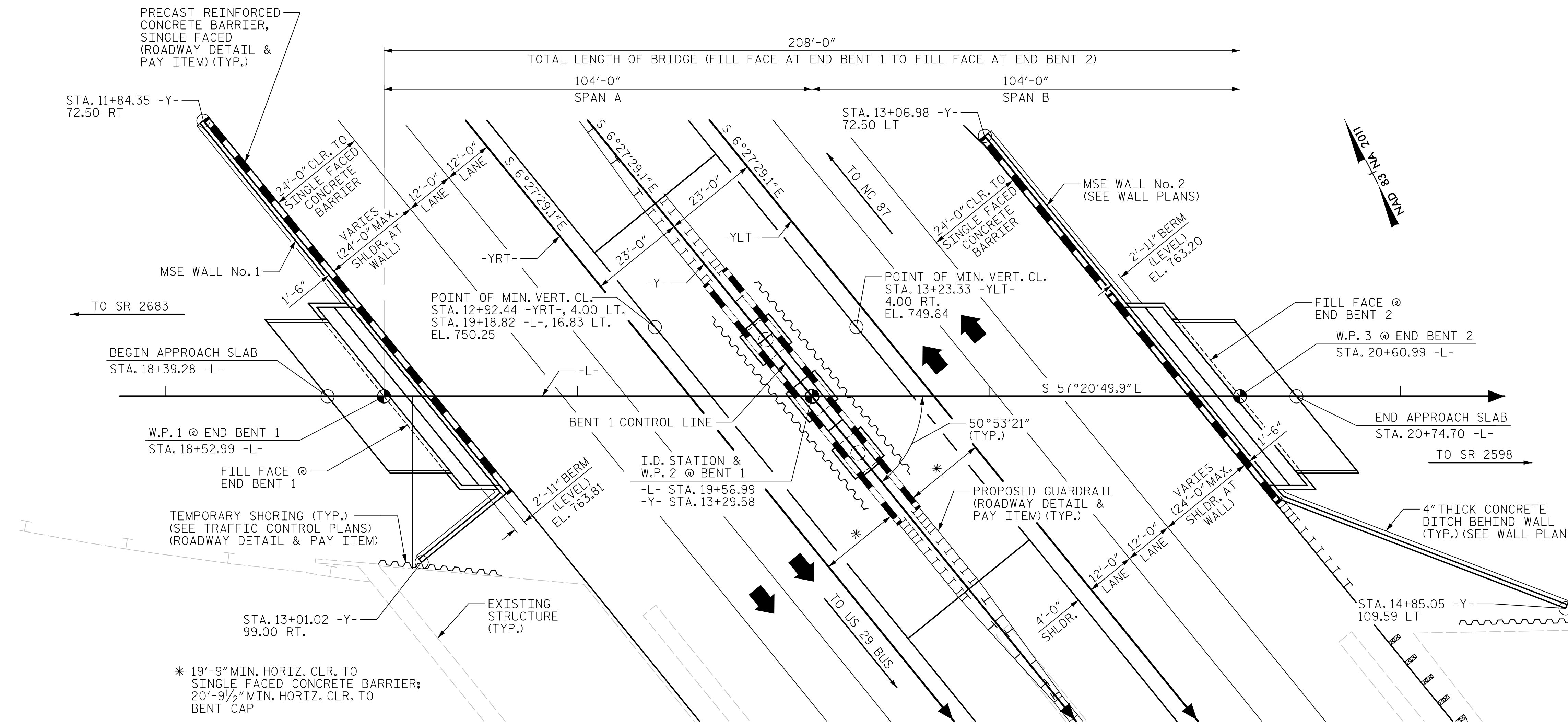
GRADE DATA -L-

GRADE DATA -YLT-

GRADE DATA -YRT-



SECTION ALONG -L-
(SECTION TAKEN AT RIGHT ANGLE TO BENT AND END BENTS)



PLAN
(PILES NOT SHOWN FOR CLARITY)

PROJECT NO. BR-0042
ROCKINGHAM COUNTY
STATION: 19+56.99 -L-
13+29.58 -Y-
SHEET 1 OF 2 REPLACES BRIDGE No. 116

AECOM
AECOM TECHNICAL SERVICES OF NC, INC.
701 CORPORATE CENTER DRIVE, SUITE 475
RALEIGH, NC 27607
(919) 854-4200 www.aecom.com
AECOM License No. F-0342

Designed by:
John C. Morrison
NORTH CAROLINA
PROFESSIONAL
ENGINEER
SEAL
030474
JOHN C. MORRISON
5/27/2020

STATE OF NORTH CAROLINA
DEPARTMENT OF TRANSPORTATION
RALEIGH

GENERAL DRAWING
BRIDGE ON SR 2600
(MIZPAH CHURCH RD.)
OVER US 29
BETWEEN SR 2683
AND SR 2598

REVISIONS					
NO.	BY:	DATE:	NO.	BY:	DATE:
1			3		
2			4		

SHEET NO. S-01
TOTAL SHEETS 28

DRAWN BY : T.B. STUMP DATE : 04/2019
CHECKED BY : J.C. MORRISON DATE : 04/2019
DESIGNED BY : T.B. STUMP DATE : 04/2019
DESIGN CHECKED BY : J.C. MORRISON DATE : 04/2019

DOCUMENT NOT CONSIDERED
FINAL UNLESS ALL
SIGNATURES COMPLETED

DATE: 5/27/2020 TIME: 12:54:41 PM
USER: jmorris\jmorris\Projects\60571086 - BR-0042\Bridges\CAD\5151910_CAD\YO_NC007_TIP\Structures\04 Drawings\MOO_L1_S01_BR-0042_SML_S01.dgn