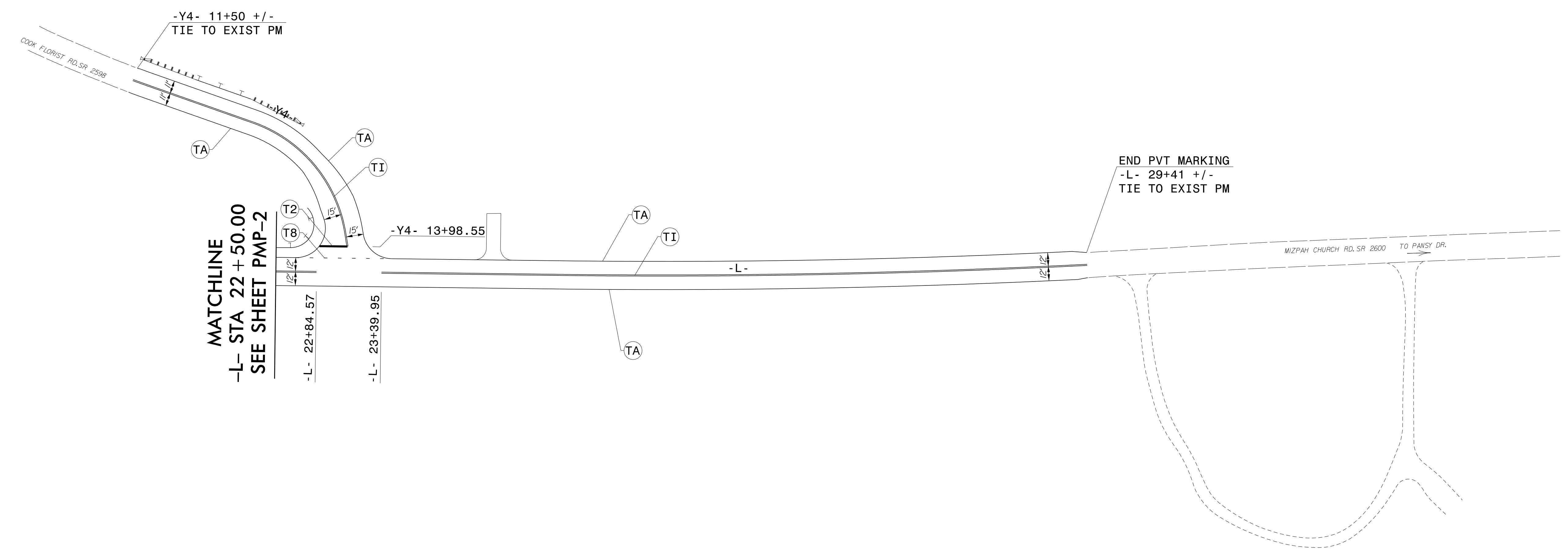
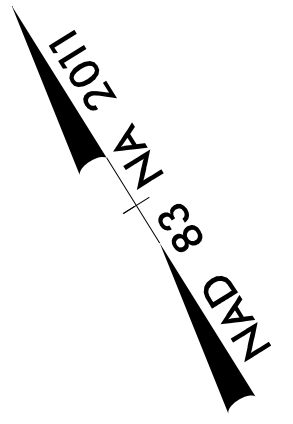


TIP NO. BR - 0042	SHEET NO. PMP - 3
APPROVED: _____	
DATE: _____	
SEAL	
DocuSigned by: Jeffrey A. Koontz -B4EBFCC02384F7	5/29/2020
DOCUMENT NOT CONSIDERED FINAL UNLESS ALL SIGNATURES COMPLETED	
<small>NC FIRM LICENSE No. F-0342 701 Corporate Center Drive, Suite 475 Raleigh, NC 27607 (919) 854-6200 • (919) 854-6259 FAX</small>	



FINAL PAVEMENT MARKING SCHEDULE

SYMBOL	DESCRIPTION	SYMBOL	DESCRIPTION
THERMOPLASTIC		COLD APPLIED PLASTIC	
T2	WHITE STOPBAR (24", 90 MIL)	CA	WHITE EDGELINE (4")
T6	WHITE EDGELINE (6", 90 MIL)	CI	YELLOW DOUBLE CENTER (4")
T7	YELLOW EDGELINE (6", 90 MIL)		
T8	2FT.-6FT./SP WHITE MINISKIP (4", 90 MIL)		
TA	WHITE EDGELINE (4" 90 MIL)		
TI	YELLOW DOUBLE CENTER (4" 90 MIL)		
TJ	10FT. WHITE SKIP (6", 90 MIL)		

PAVEMENT MARKING DETAIL

12/10/2019
 R:\Traffic\TrafficControl\TCP\BR0042.pmp_psh03.dgn
 User:Jeff.Koontz