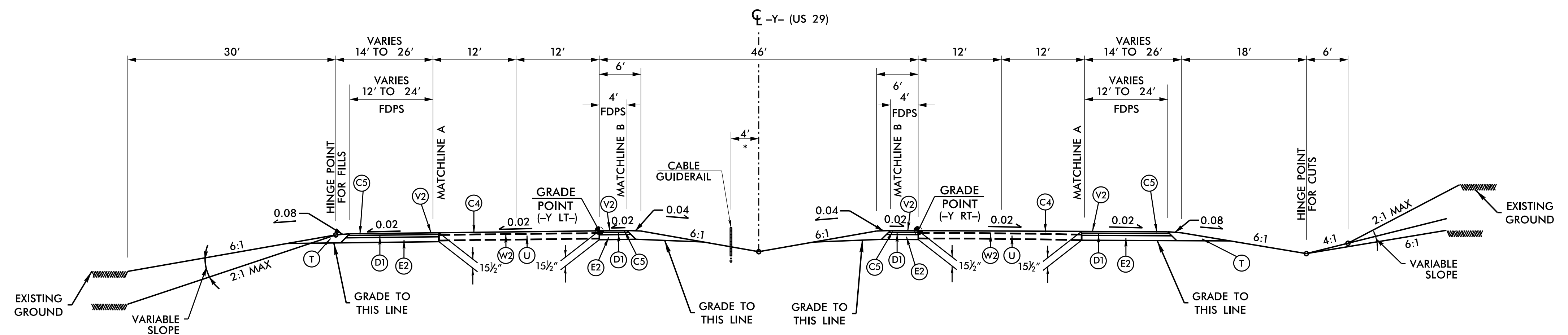


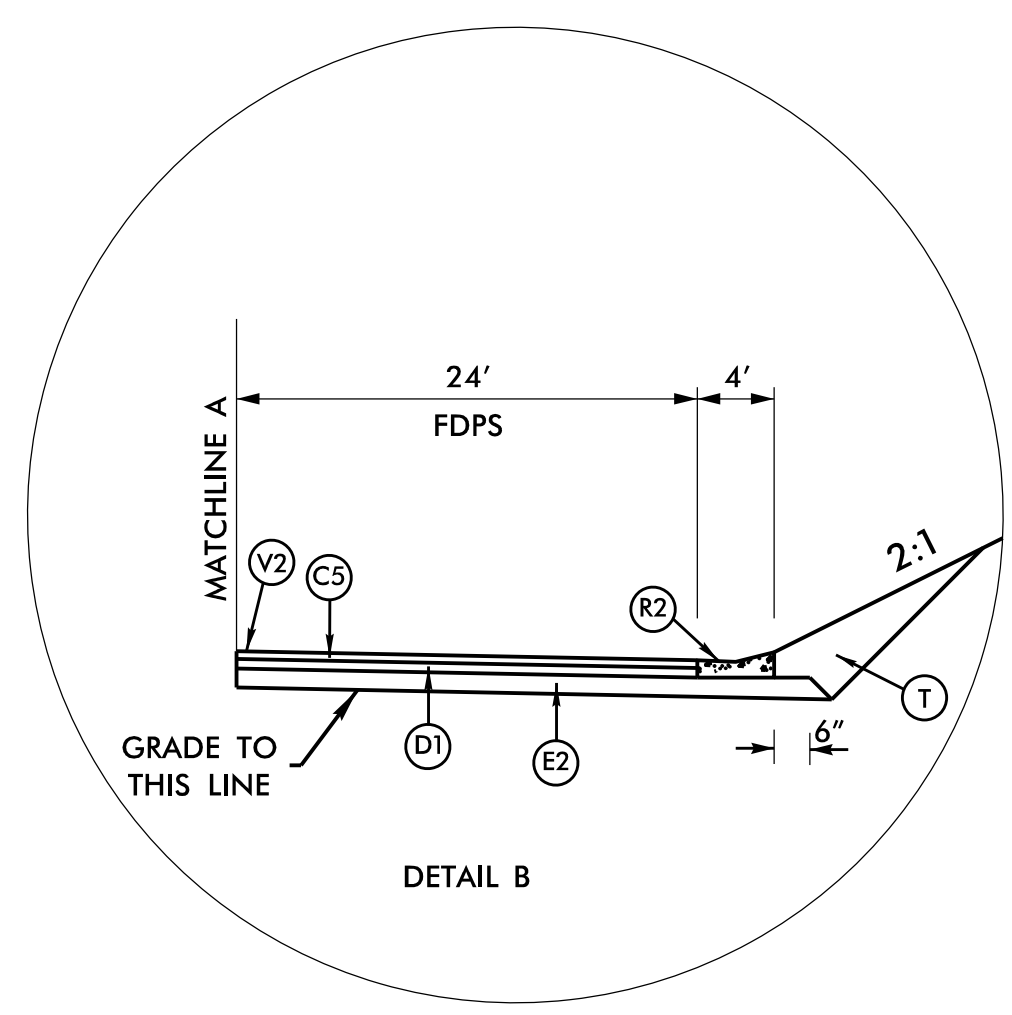
PROJECT REFERENCE NO. <b>BR-0042</b>	SHEET NO. <b>2A-3</b>
ROADWAY DESIGN ENGINEER 6/29/2020	PAVEMENT DESIGN ENGINEER 6/29/2020
<p><b>DOCUMENT NOT CONSIDERED FINAL UNLESS ALL SIGNATURES COMPLETED</b></p>	



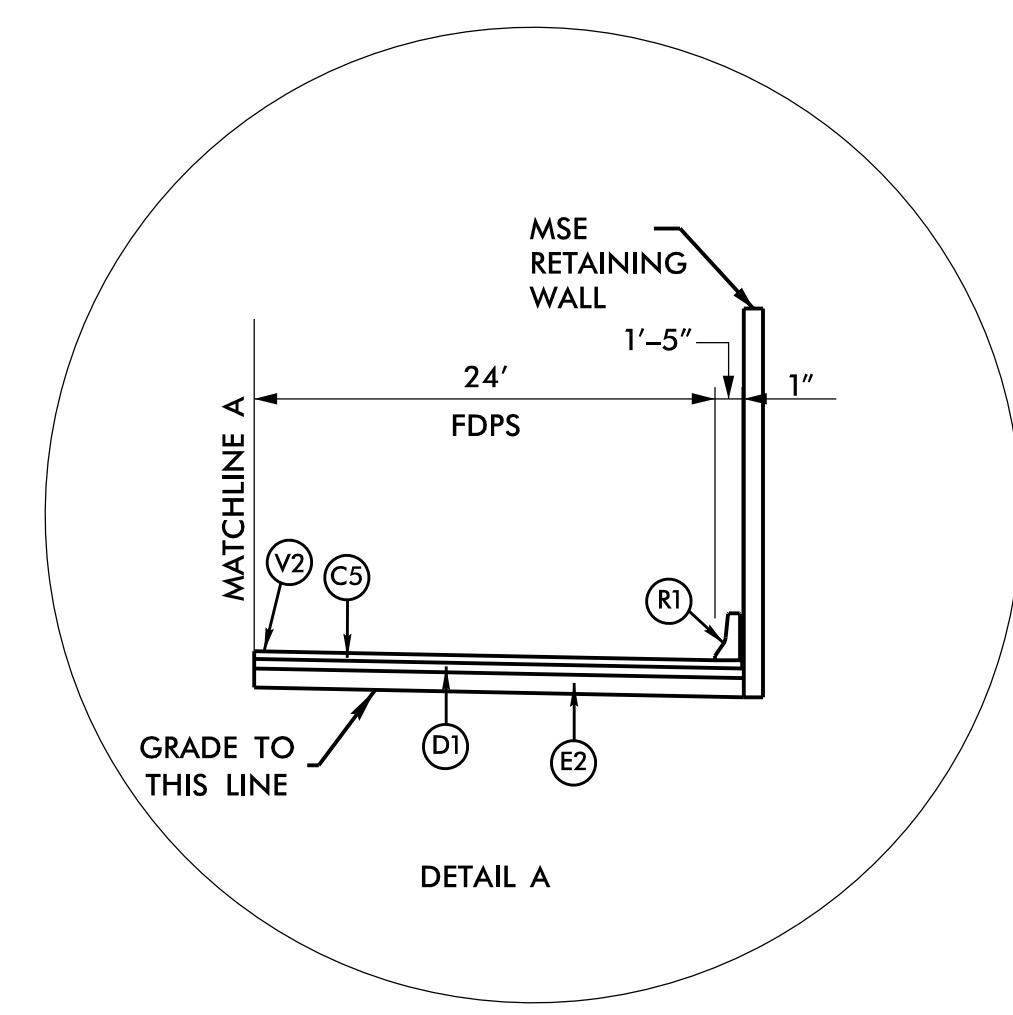
**TYPICAL SECTION NO. 4**

\* SEE PLANS FOR GUIDERAIL LOCATION

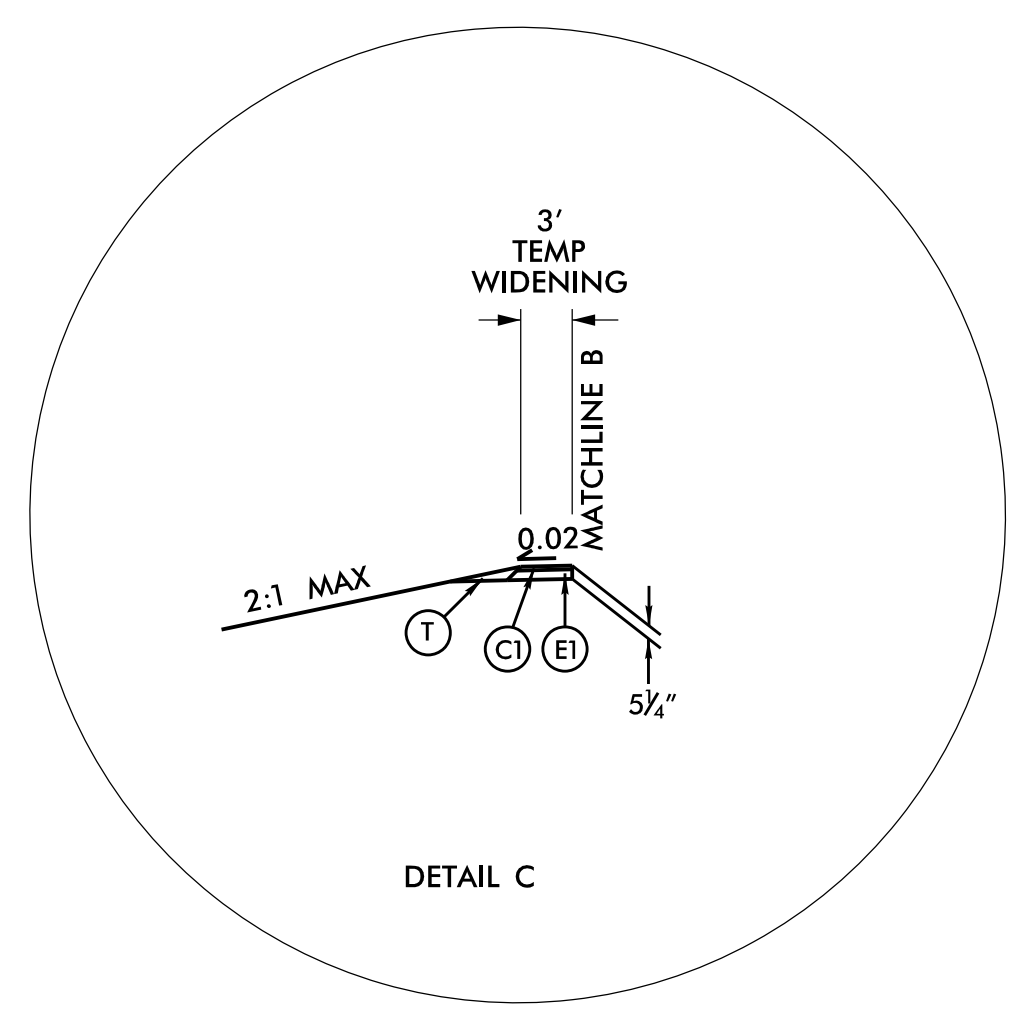
USE TYPICAL SECTION NO. 4  
 -Y- STA. 10+00.00 TO -Y- STA. 18+00.00



USE DETAIL B FOR -Y- RT FROM STA. 13+01.02 TO STA. 14+20.00



USE DETAIL A FOR -Y- RT FROM STA. 11+84.35 TO STA. 13+01.02  
 USE MIRROR OF DETAIL A FOR -Y- LT FROM STA. 13+06.99 TO STA. 14+20.82



USE DETAIL C FOR -Y- RT FROM STA. 10+00.00 TO STA. 12+69.21 AND  
 -Y- RT FROM STA. 13+89.96 TO STA. 15+00.00  
 USE MIRROR OF DETAIL C FOR -Y- LT FROM STA. 13+89.96 TO STA. 17+50.00

C1	1 1/4" S9.5B
C2	2 1/2" S9.5B
C3	VAR. S9.5B
C4	1 1/2" S9.5C
C5	3" S9.5C
C6	VAR. S9.5C
D1	4.0" I19.0C
D2	VAR. I19.0C
E1	4.0" B25.0C
E2	8.5" B25.0C
E3	VAR. B25.0C
L1	CLASS IV SUBGRADE STAB.
N1	GEOTEXT. FOR SOIL STAB.
R1	PRECAST CONC. BARRIER
R2	EXPRESSWAY GUTTER
R3	SHOULDER BERM GUTTER
T	EARTH MATERIAL
U	EXISTING PAVEMENT
V1	2.5" ASPHALT MILLING
V2	RUMBLE STRIPS
V3	INCIDENTAL MILLING
W1	WEDGING DET. #1
W2	WEDGING DET. #2