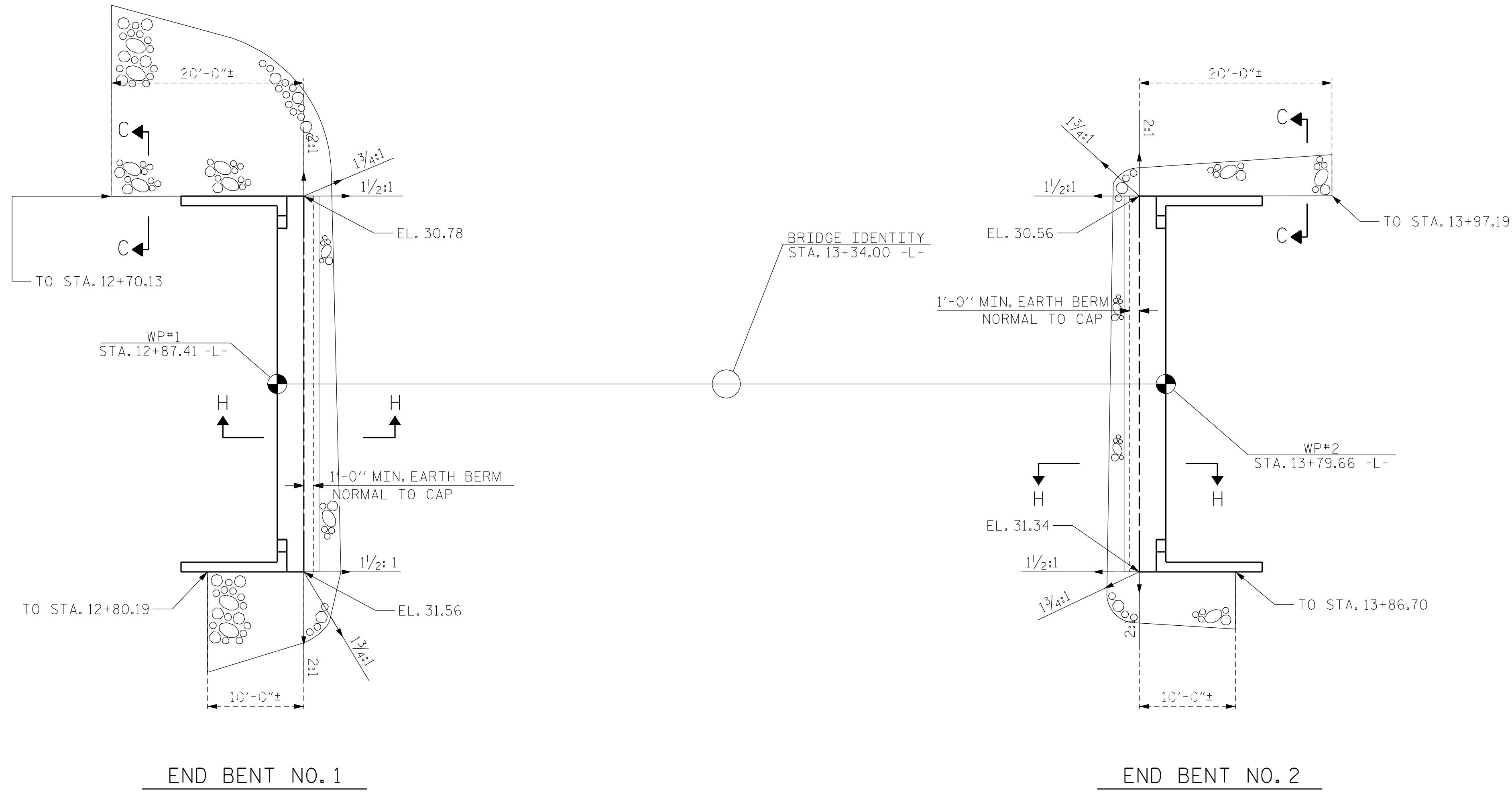
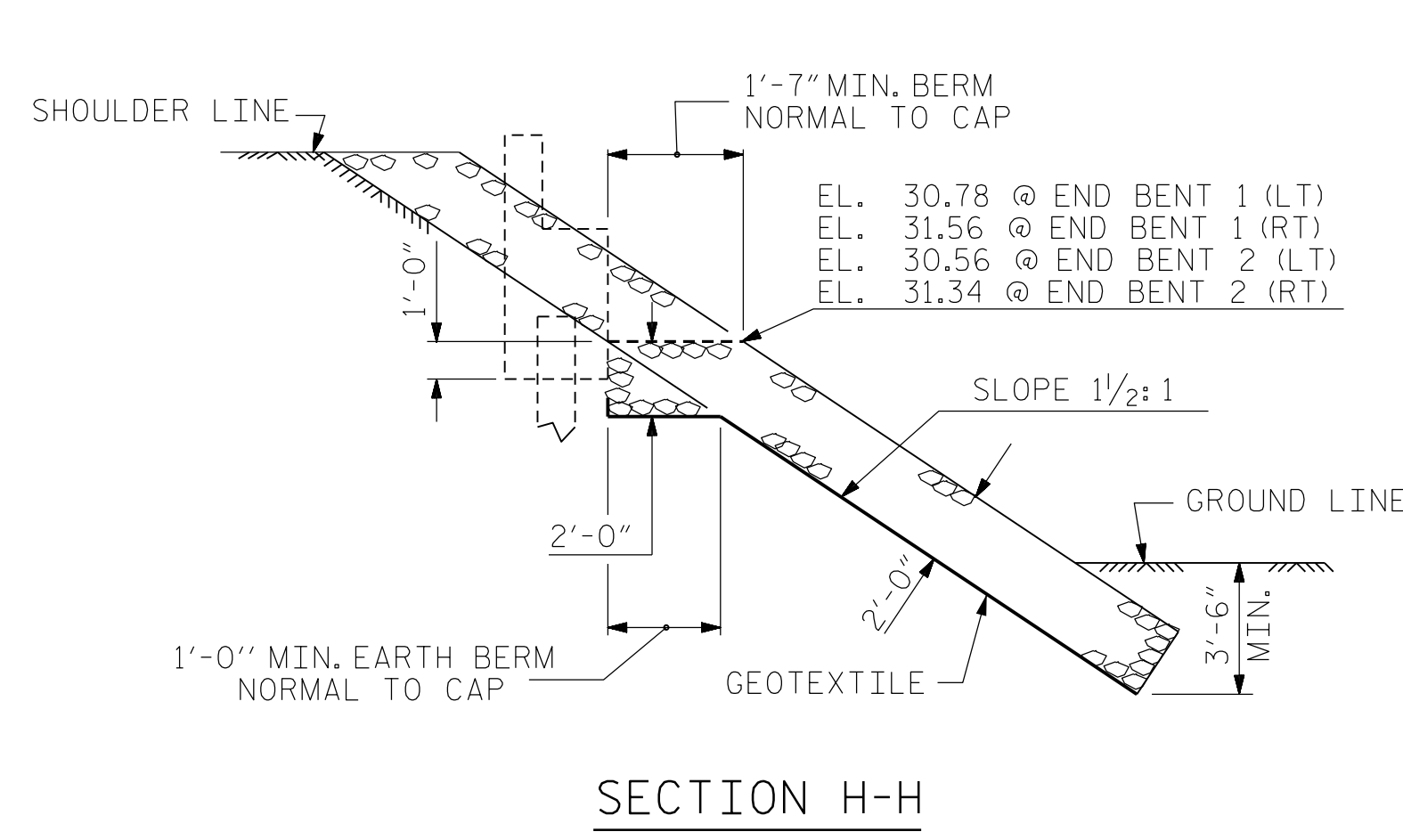


NOTES :
FOR BERM WIDTH DIMENSIONS, SEE GENERAL DRAWING.

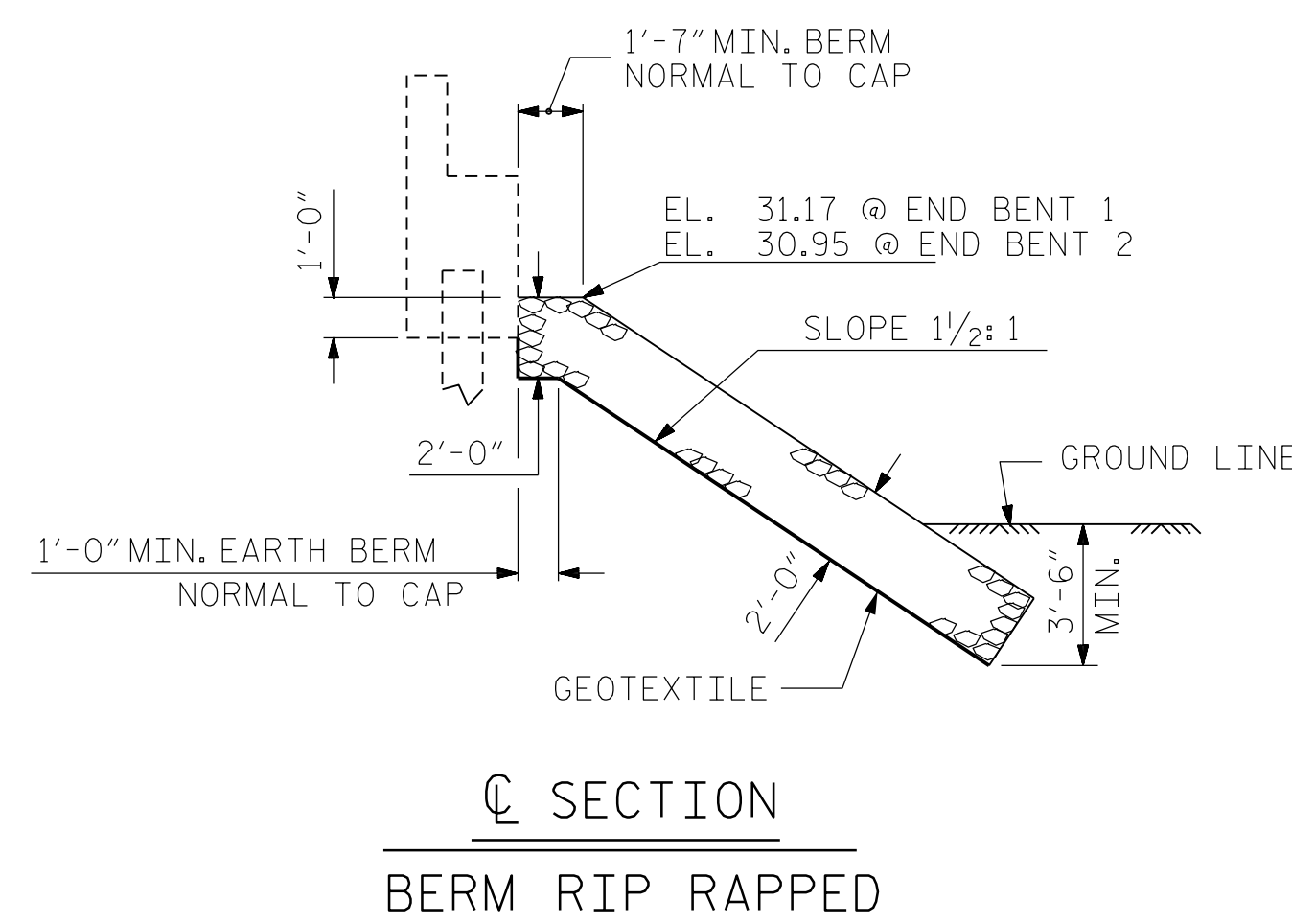


ESTIMATED QUANTITIES		
BRIDGE @ STA. 13+34.00 -L-	RIP RAP CLASS II (2'-0" THICK)	GEOTEXTILE FOR DRAINAGE
	TONS	SQUARE YARDS
END BENT 1	135	150
END BENT 2	91	101

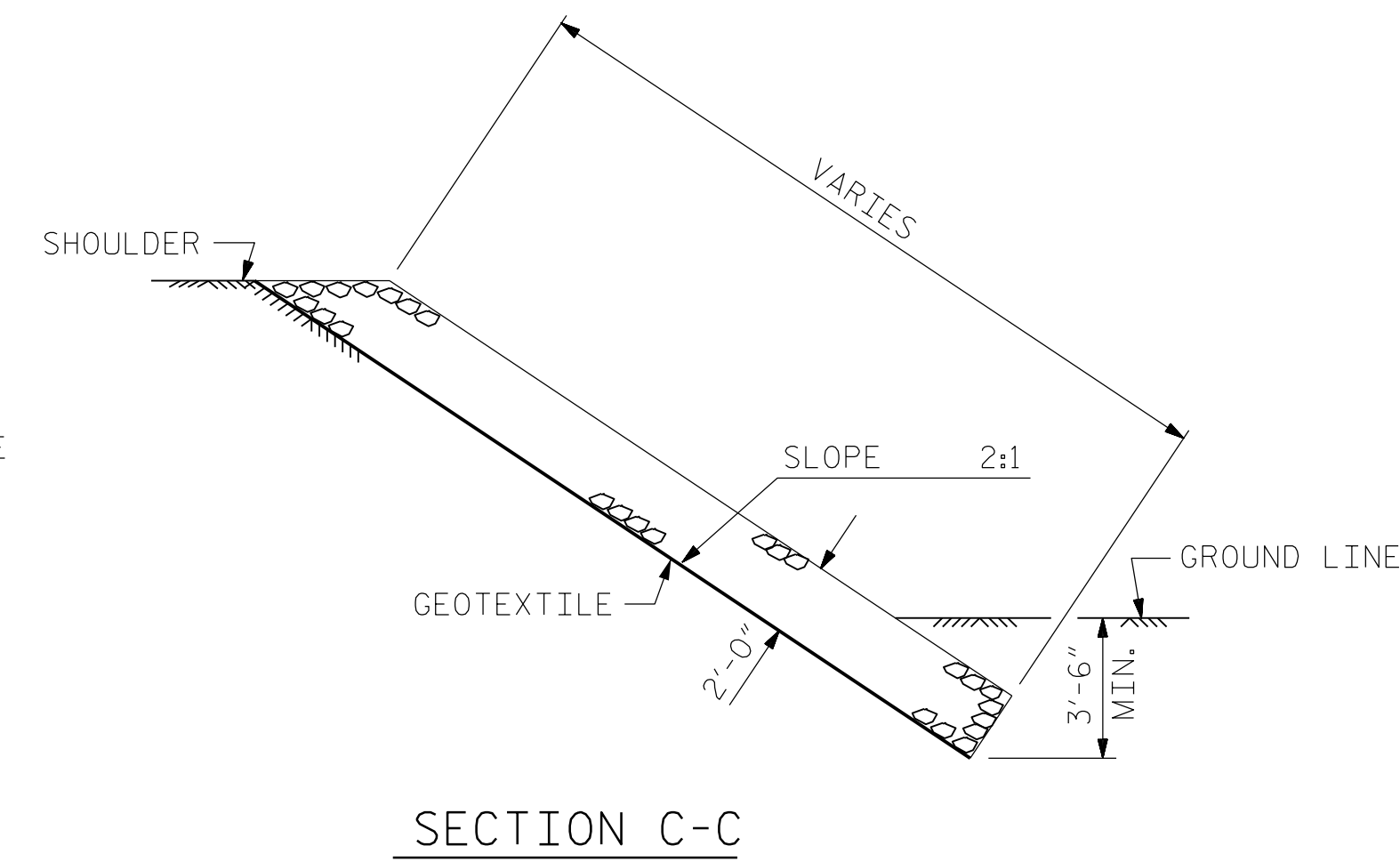
PLAN



SECTION H-H



SECTION C-C
BERM RIP RAPPED



SECTION C-C

PROJECT NO. BR-0119
PITT COUNTY
STATION: 13+34.00 -L-



KCA
KISINGER CAMPO
& ASSOCIATES

301 FAYETTEVILLE ST., SUITE 1500
RALEIGH, NC 27601 (919) 882-7839
NC FIRM LICENSE: C-1506

REVISIONS						SHEET NO.
NO.	BY:	DATE:	NO.	BY:	DATE:	S-14
1			3			TOTAL SHEETS
2			4			15

DESIGN ENGINEER OF RECORD:
JACOB H. DUKE DATE: 12/2019
ASSEMBLED BY: FIDEL L. FLORES DATE: 12/2019
CHECKED BY: DIEGO A. AGUIRRE DATE: 12/2019
DRAWN BY: REK 1/84 REV. 10/17/11 MAA/GM
CHECKED BY: RDU 1/84 REV. 12/21/11 MAA/GM
REV. 12/17 MAA/THC

DOCUMENT NOT CONSIDERED
FINAL UNLESS ALL
SIGNATURES COMPLETED