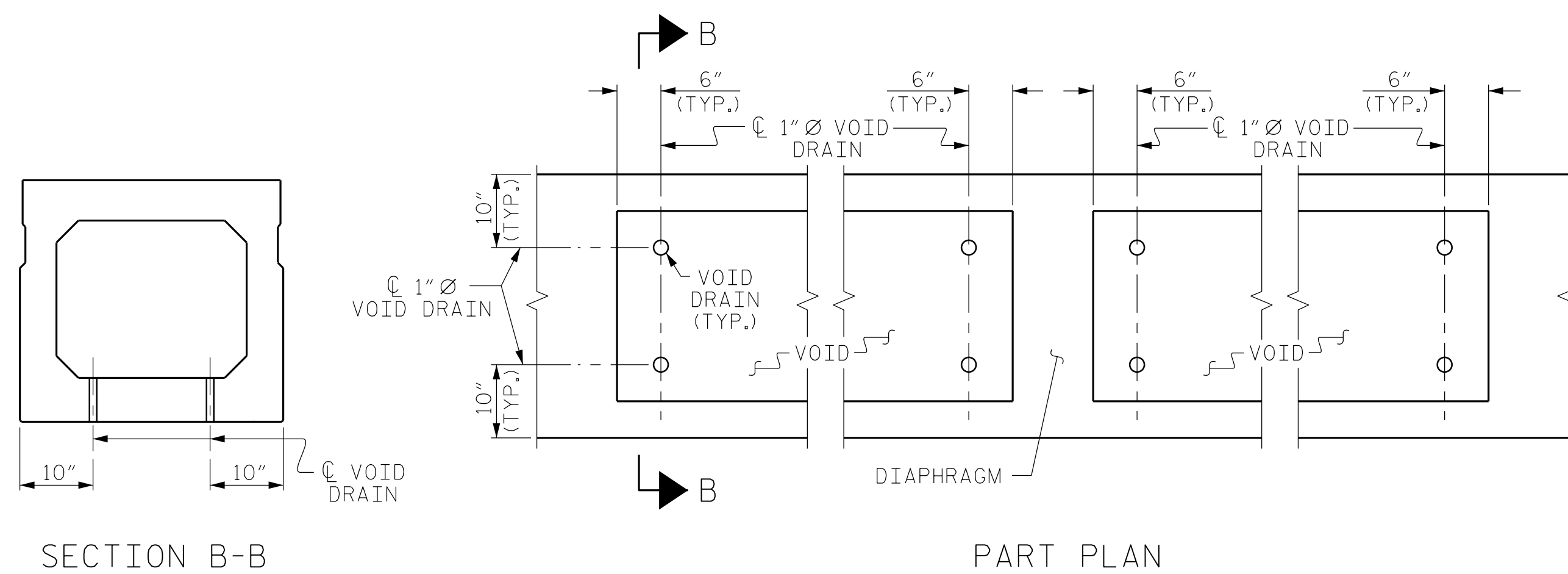


DOUBLE DIAPHRAGM DETAILS

#4 "S" BARS NOT SHOWN. #4 "S" BARS MAY BE SHIFTED SLIGHTLY TO CLEAR 2 1/2" Ø HOLE.

GROUTED RECESS DETAIL AT END OF POST-TENSIONED STRANDS OF EXTERIOR BOX BEAM



VOID DRAIN DETAILS

(DIMENSIONS SHOWN ARE TYPICAL FOR EACH VOID)

DEAD LOAD DEFLECTION AND CAMBER	
90' BOX BEAM UNIT (NC & SE)	3'-0" x 2'-9"
CAMBER (SLAB ALONE IN PLACE)	0.6" Ø L.R. STRAND
DEFLECTION DUE TO SUPERIMPOSED DEAD LOAD**	2 3/4" ↑
FINAL CAMBER	3/4" ↓
	2" ↑

** INCLUDES FUTURE WEARING SURFACE

PROJECT NO. BR-0119
 PITT COUNTY
 STATION: 13+34.00 -L-

SHEET 4 OF 5



STATE OF NORTH CAROLINA
 DEPARTMENT OF TRANSPORTATION
 RALEIGH
 STANDARD
 3'-0" X 2'-9"
 PRESTRESSED CONCRETE
 BOX BEAM UNIT
 SPAN 'A'

DESIGN ENGINEER OF RECORD:
 JACOB H. DUKE DATE: 12/2019
 ASSEMBLED BY: FIDEL L. FLORES DATE: 12/2019
 CHECKED BY: DIEGO A. AGUIRRE DATE: 12/2019
 DRAWN BY: DCE 10/II REV. 8/14 MAA/TMG
 CHECKED BY: TMG II/II

1/8/2020
 BR-0119_SMJ.BX04_730109.dgn
 okhalofalla

DOCUMENT NOT CONSIDERED
 FINAL UNLESS ALL
 SIGNATURES COMPLETED

REVISIONS						SHEET NO.
NO.	BY:	DATE:	NO.	BY:	DATE:	S-7
1			3			TOTAL SHEETS
2			4			15

STD.NO.33PCBB5_90S