

PAVEMENT SCHEDULE

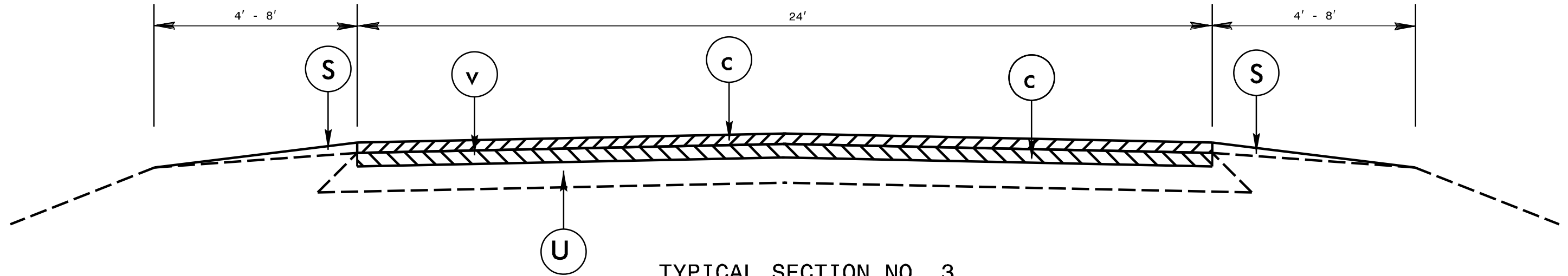
PROJECT REFERENCE NO.

SHEET NO.

2021CPT.05.16.20731.1

7

C	1½" ASPHALT CONCRETE SURFACE COURSE, TYPE S9.5B, AT AN AVERAGE RATE OF 165 LBS. PER SQ. YD.
S	SHOULDER GRADING ASB REQUIRED (EXCEPT AT RESIDENTIAL AREAS)
U	EXISTING PAVEMENT
V	1½" MILLING
V1	0-1½" MILLING



TYPICAL SECTION NO. 3

* Mill 1.5" fill with 1.5" surface and overlay an additional 1.5" surface course as directed by Engineer to strengthen 2230' on map # 9 SR 1703. starting from SR 1704 Sta93+00 to Sta115+30