

PAVEMENT SCHEDULE

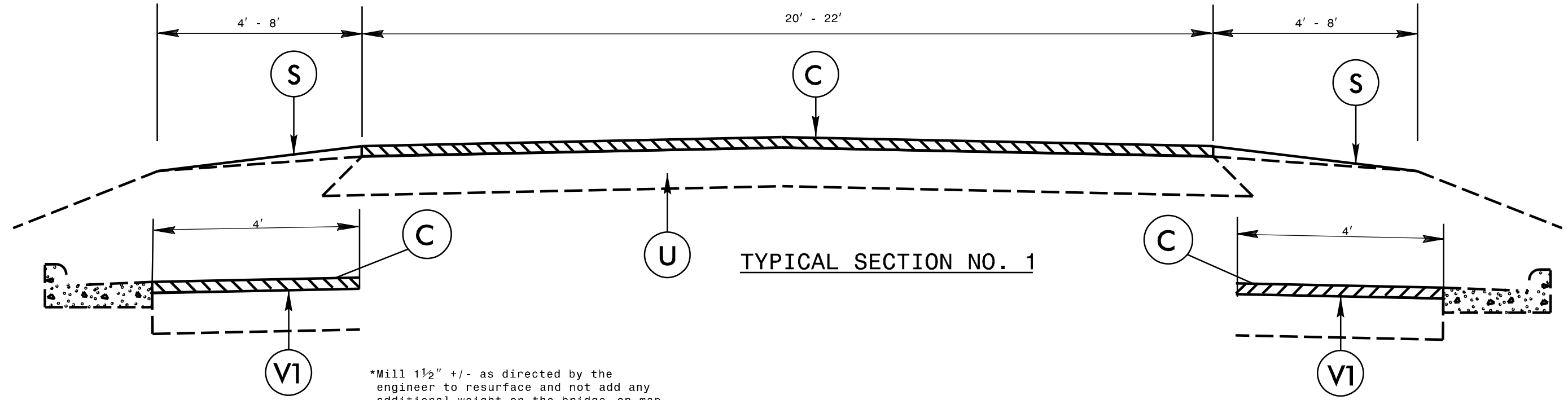
PROJECT REFERENCE NO.

SHEET NO.

2021CPT.05.16.20731.1

6

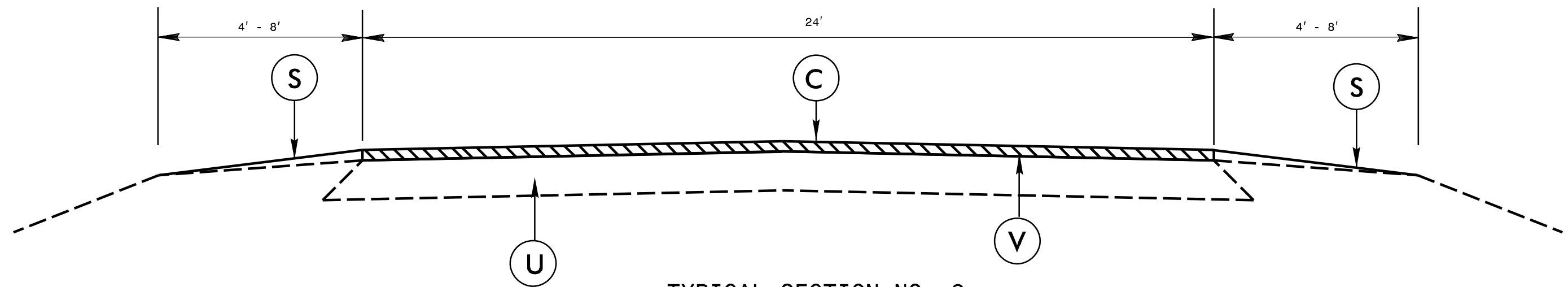
C	1½" ASPHALT CONCRETE SURFACE COURSE, TYPE S9.5B, AT AN AVERAGE RATE OF 165 LBS. PER SQ. YD.
S	SHOULDER GRADING ASB REQUIRED (EXCEPT AT RESIDENTIAL AREAS)
U	EXISTING PAVEMENT
V	1½" MILLING
V1	0-1½" MILLING



TYPICAL SECTION NO. 1

*Mill 1½" +/- as directed by the engineer to resurface and not add any additional weight on the bridge on map #11 SR 1107 bridge #41 and MAP# 1 SR 1102 bridge #45

*0-1½" MILLING on map# 4 and map# 8 only.



TYPICAL SECTION NO. 2