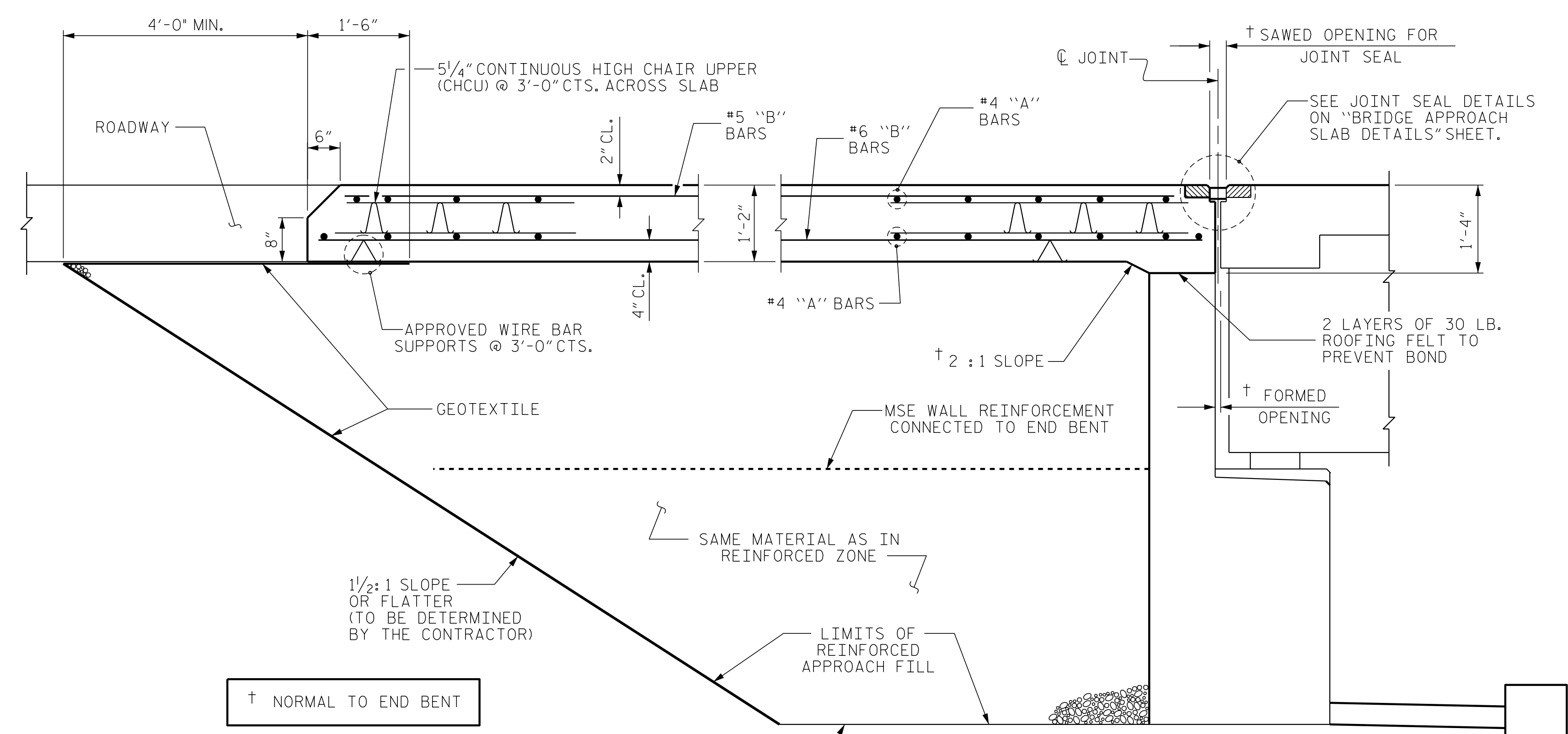
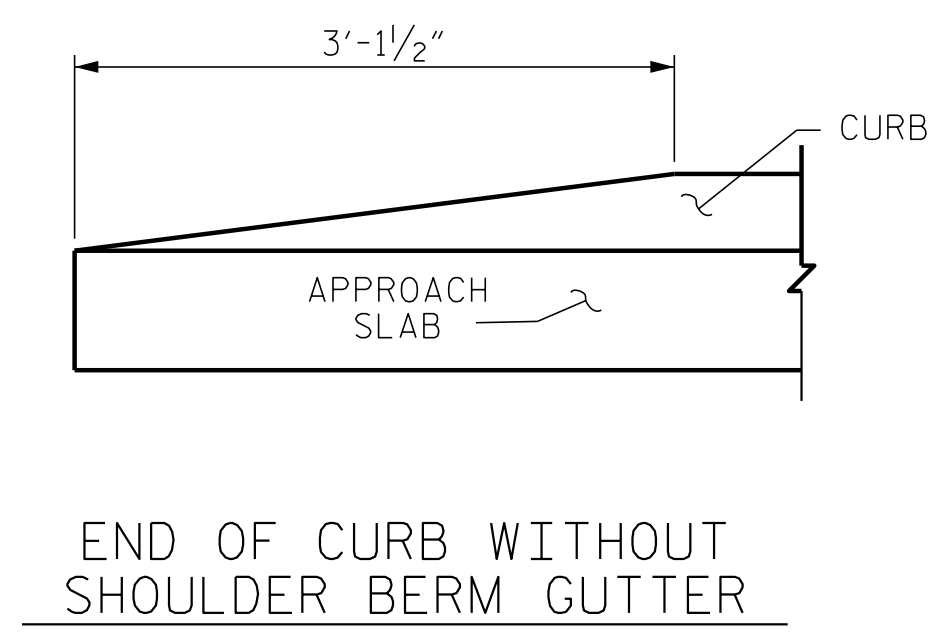
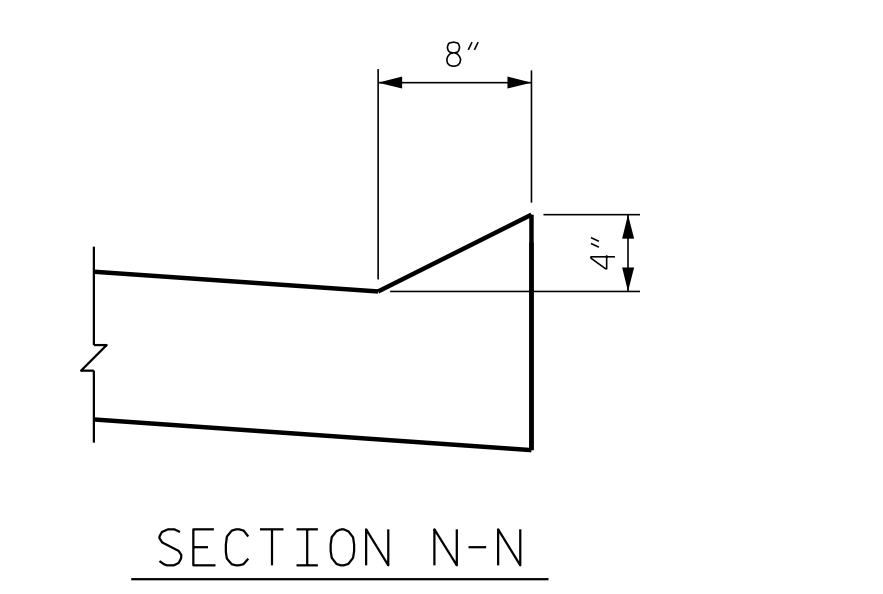


PLAN @ END BENT No. 1      PLAN @ END BENT No. 2  
DIMENSIONS SHOWN ARE TYPICAL FOR BOTH APPROACH SLABS

\*\* DENOTES RADIAL DIMENSION      ARC OFFSETS TO OUTSIDE EDGE OF APPROACH SLABS ARE NEGLIGIBLE, THEREFORE NOT SHOWN



SECTION THRU SLAB  
(TYPE III - REINFORCED APPROACH FILL)



NOTES

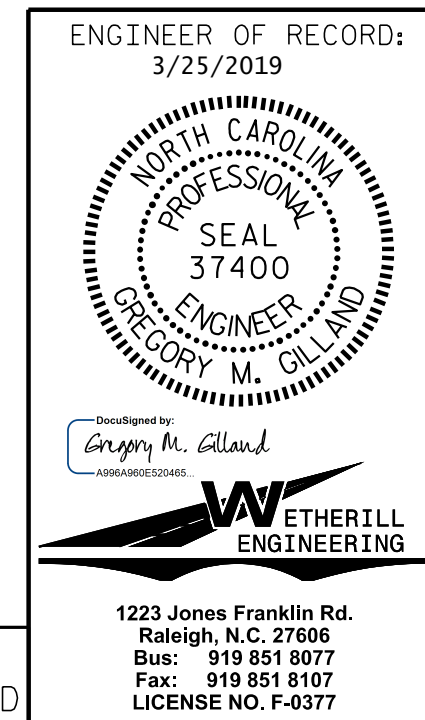
- FOR BRIDGE APPROACH FILL INCLUDING GEOTEXTILE, MSE WALL REINFORCEMENT AND BACKFILL MATERIAL SEE ROADWAY PLANS.
- GEOTEXTILE SHALL BE TYPE 1 IN ACCORDANCE WITH THE STANDARD SPECIFICATIONS SECTION 1056.
- BACKFILL MATERIAL SHALL BE THE SAME MATERIAL USED IN THE MSE REINFORCED ZONE.
- APPROACH SLAB SHALL NOT BE CONSTRUCTED PRIOR TO COMPLETION OF THE BRIDGE DECK.
- THE JOINT SHALL BE SAWED PRIOR TO THE CASTING OF THE BARRIER RAIL.
- AREA BETWEEN THE WINGWALL AND APPROACH SLAB SHALL BE GRADED TO DRAIN THE WATER AWAY FROM THE FILL FACE OF THE BRIDGE AND SHALL BE PAVED. SEE ROADWAY PLANS.
- WITH FOAM JOINT SEAL
- FOR FOAM JOINT SEALS, SEE SPECIAL PROVISIONS.
- THE NOMINAL UNCOMPRESSED SEAL WIDTH OF THE FOAM JOINT SEAL SHALL BE 2\".
- FOR ELASTOMERIC CONCRETE, SEE SPECIAL PROVISIONS.

BILL OF MATERIAL					
APPROACH SLAB AT END BENT 1					
BAR	NO.	SIZE	TYPE	LENGTH	WEIGHT
*A1	50	#4	STR	26'-4"	880
A2	52	#4	STR	26'-2"	909
*B1	92	#5	STR	24'-0"	2303
B2	92	#6	STR	24'-7"	3397
REINFORCING STEEL				LBS.	4,306
*EPOXY COATED REINFORCING STEEL				LBS.	3,183
CLASS AA CONCRETE				C. Y.	50.0
APPROACH SLAB AT END BENT 2					
BAR	NO.	SIZE	TYPE	LENGTH	WEIGHT
*A1	50	#4	STR	26'-4"	880
A2	52	#4	STR	26'-2"	909
*B1	92	#5	STR	24'-0"	2303
B2	92	#6	STR	24'-7"	3397
REINFORCING STEEL				LBS.	4,306
*EPOXY COATED REINFORCING STEEL				LBS.	3,183
CLASS AA CONCRETE				C. Y.	50.0

FOR BARRIER RAIL QUANTITIES ON APPROACH SLAB, SEE SHEET 2 OF 3

SPLICE LENGTHS		
BAR SIZE	EPOXY COATED	UNCOATED
#4	2'-0"	1'-9"
#5	2'-6"	2'-2"
#6	3'-10"	2'-7"

PROJECT NO. W-5600  
JOHNSTON COUNTY  
STATION: 217+31.76 -L-  
SHEET 1 OF 3



STATE OF NORTH CAROLINA DEPARTMENT OF TRANSPORTATION RALEIGH					
STANDARD BRIDGE APPROACH SLAB FOR FLEXIBLE PAVEMENT (RIGHT LANE)					
REVISIONS					
NO.	BY:	DATE:	NO.	BY:	DATE:
1			3		
2			4		
SHEET NO.					S2-16
TOTAL SHEETS					18

DOCUMENT NOT CONSIDERED FINAL  
UNLESS ALL SIGNATURES COMPLETED

P:\2017\1712101\W-5600\_JUSTO Structures\DGN\L-over -Y9-DGN (RIGHT LANE)\W-5600\_Y9\_AS (RIGHT LANE)\_WE Idgn 3/20/2019 9:41:02 AM